

Version	2.0	Date	1/20/20
Prepared By	JC		

PRODUCT SPECIFICATION

Category	Floodlight
Item Number	9295
Stock Code	LED-FXBFS10/40/840/BZ-KNC
Mounting	Knuckle Mount 1/2" NPT
Housing Color	Bronze



ELECTRICAL CHARACTERISTICS			
Rated Wattage (W)	10	Replacement Wattage (W)	100
Tested Wattage (W)	10.85		
Input Voltage (V)	120-277V	Surge Protect Level	2KV
Voltage Frequency (Hz)	50/60		
Input Current (A)	0.1	Dimmable	-
Power Factor	>0.9	AUX (12V) Line	-
THD	<20%		

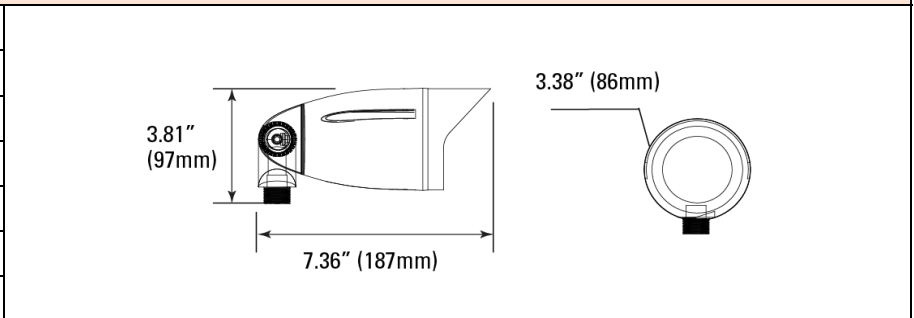
PHOTOMETRIC CHARACTERISTICS			
Lumen (lm)	900	CCT (K)	4000K
Efficacy (lm/w)	83	Beam Angle (°)	40°
CRI	>80		

GENERAL CHARACTERISTICS	
Operating Temperature (°F)	-22°F ~ 122°F
Storage Temperature (°F)	-40°F ~ 158°F
IP Rating	IP65
Rated Life (Hrs)	50,000
Warranty (Yrs)	5

ACCESSORIES		
Item #	Stock Code	Description

PRODUCT DIMENSIONS

Width- in / (mm)	3.38" 86
Height- in / (mm)	3.81" 97
Depth- in / (mm)	7.36" 187
EPA (ft²)	-
Weight (lbs)	1.5
Mounting Height (ft)	-
Cable Length (ft)	-



CERTIFICATIONS			
UL/ETL	ETL	CEC	
NSF/ETL Sanitation		JA8	
Energy Star	✓	FCC	✓
DLC		RoHs	✓

DOCUMENTS			
LM79	✓	IES File	✓
LM80	✓	Dimmer List	

COMMENTS

--