

# FLOOD LIGHT



## Product Description

naturaLED® floodlights provide a range of sizes and wattages to fit your needs. Our compact flood lights are water resistant rated at IP65. Creating bright, security and spot lighting for a variety of applications such as perimeter, entryway, facades, landscapes, retail and residential complexes and architectural lighting.

Available in four different power levels and Type I, III flood beam distributions to replace up to 575 watt. Pre-installed yoke-arm design can be adjustable to the angle that best suit your needs.



## Features & Benefits

- ▶ DLC standard/ DLC premium
- ▶ L70 rated chip for over 100,000 projected life hours
- ▶ Uniform and consistent color: ANSI C78.377-2017
- ▶ UL 1598 for use in wet locations
- ▶ IP65 rated
- ▶ Excellent thermal design
- ▶ Corrosion resistant powder coating
- ▶ 1KV-12KV surge protection
- ▶ Material: Die Cast Aluminum / Glass / Plastic
- ▶ 6 feet SO Cord for easy installation
- ▶ Yoke Mount
- ▶ 1/2" NPT stainless steel threaded nipple (10W-48W)
- ▶ 3/4" NPT stainless steel threaded nipple (50/75/100W)

## Specifications

- ▶ Input line voltage: 120-277V
- ▶ Power Factor: >0.9
- ▶ THD: <20%
- ▶ Operating temperature: -22°F-131°F
- ▶ Finish: Black

## Applications

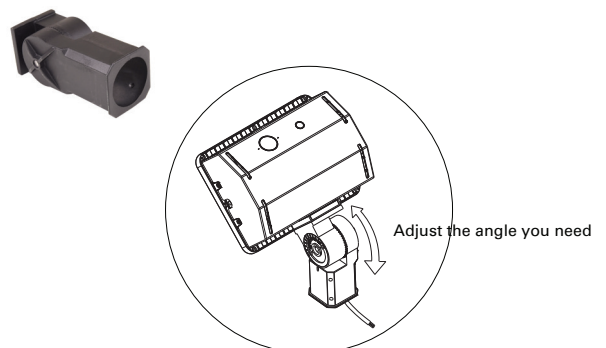
- ▶ Security Lighting
- ▶ Architectural Lighting
- ▶ Perimeter Lighting
- ▶ Entryway/ Pathway Lighting

## Color Choices



## Accessories (Mounting Options)

- ▶ Slip Fitter



**Ordering Information**

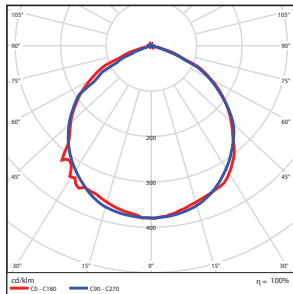
S = Standard / P= Premium

Code	Description	CCT	Watt	Lumen	Equiv Wattage	Color	Voltage	Dimmable	NPT	IP65	DLC
7761	LED-FXFDL10/50K/BK	5000K	10	1,284	100W	Black	120-277	-	1/2"	•	S
7762	LED-FXFDL20/50K/BK	5000K	20	2,437	150W	Black	120-277	-	1/2"	•	S
7763	LED-FXFDL27/50K/BK	5000K	27	3,499	150-200W	Black	120-277	-	1/2"	•	S
7764	LED-FXFDL48/50K/BK	5000K	48	6,153	200-250W	Black	120-277	-	1/2"	•	S
7783	LED-FXFDL50/66/40K/BK	4000K	50	6,656	250-400W	Black	100-277	0-10V	3/4"	•	P
7784	LED-FXFDL50/66/50K/BK	5000K	50	6,750	250-400W	Black	100-277	0-10V	3/4"	•	P
7785	LED-FXFDL75/66/40K/BK	4000K	75	10,008	400W	Black	100-277	0-10V	3/4"	•	P
7786	LED-FXFDL75/66/50K/BK	5000K	75	10,125	400W	Black	100-277	0-10V	3/4"	•	P
7787	LED-FXFDL100/66/40K/BK	4000K	100	13,332	400-575W	Black	100-277	0-10V	3/4"	•	P
7788	LED-FXFDL100/66/50K/BK	5000K	100	13,596	400-575W	Black	100-277	0-10V	3/4"	•	P

Standard  
Premium

Photometric Data

10 Watt



Zonal Lumen Summary

Zone	Lumens	% Luminaire
0-30	361.59	29.60
0-40	597.52	48.90
0-60	1050.72	86.00
60-80	169.05	13.80
70-80	33.58	2.70
90-120	0.23	0.00
90-180	0.85	0.10
0-180	1221.33	100.00

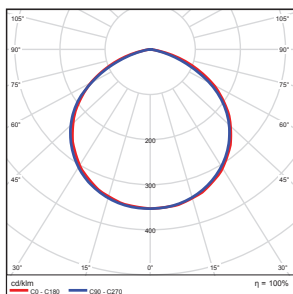
Total Luminaire Efficiency = 100.00%

Illuminance at a Distance

	Center Beam fc	Beam Width	
2.5ft	74.2 fc	7.2 ft	7.2 ft
5.0ft	18.5 fc	14.5 ft	14.3 ft
7.5ft	8.24 fc	21.7 ft	21.5 ft
10.0ft	4.64 fc	28.9 ft	28.7 ft
12.5ft	2.97 fc	36.2 ft	35.8 ft
15.0ft	2.06 fc	43.4 ft	43.0 ft

■ Vert. Spread: 110.7°  
■ Horiz. Spread: 110.2°

20 Watt



Zonal Lumen Summary

Zone	Lumens	% Luminaire
0-30	673.05	28.70
0-40	1106.7	47.20
0-60	1971.12	84.10
60-80	367.15	15.70
70-80	92.72	4.00
90-120	0.01	0.00
90-180	0.07	0.00
0-180	2342.72	100.00

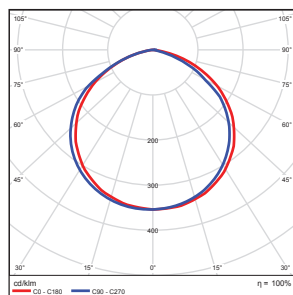
Total Luminaire Efficiency = 100.00%

Illuminance at a Distance

	Center Beam fc	Beam Width	
2.5ft	138 fc	7.4 ft	7.5 ft
5.0ft	34.5 fc	14.9 ft	15.1 ft
7.5ft	15.3 fc	22.3 ft	22.6 ft
10.0ft	8.61 fc	29.7 ft	30.1 ft
12.5ft	5.51 fc	37.2 ft	37.7 ft
15.0ft	3.83 fc	44.6 ft	45.2 ft

■ Vert. Spread: 112.2°  
■ Horiz. Spread: 112.8°

27 Watt



Zonal Lumen Summary

Zone	Lumens	% Luminaire
0-30	993.14	28.70
0-40	1633.24	47.20
0-60	2910.87	84.10
60-80	541.50	15.60
70-80	137.57	4.00
90-120	0.16	0.00
90-180	0.81	0.00
0-180	3460.54	100.00

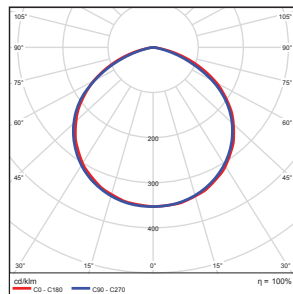
Total Luminaire Efficiency = 100.00%

Illuminance at a Distance

	Center Beam fc	Beam Width	
2.5ft	203 fc	7.5 ft	7.5 ft
5.0ft	50.9 fc	15.0 ft	15.0 ft
7.5ft	22.6 fc	22.4 ft	22.4 ft
10.0ft	12.7 fc	29.9 ft	29.9 ft
12.5ft	8.14 fc	37.4 ft	37.4 ft
15.0ft	5.65 fc	44.9 ft	44.9 ft

■ Vert. Spread: 112.5°  
■ Horiz. Spread: 112.5°

48 Watt



Zonal Lumen Summary

Zone	Lumens	% Luminaire
0-30	1658.93	27.70
0-40	2759.46	46.20
0-60	4948.65	82.80
60-80	1011.38	16.90
70-80	275.23	4.60
90-120	0.37	0.00
90-180	2.65	0.00
0-180	5979.3	100.00

Total Luminaire Efficiency = 100.00%

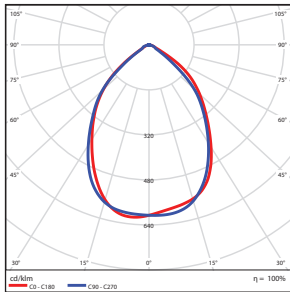
Illuminance at a Distance

	Center Beam fc	Beam Width	
2.5ft	330 fc	8.1 ft	8.1 ft
5.0ft	82.6 fc	16.2 ft	16.3 ft
7.5ft	36.7 fc	24.4 ft	24.4 ft
10.0ft	20.7 fc	32.5 ft	32.6 ft
12.5ft	13.2 fc	40.6 ft	40.7 ft
15.0ft	9.18 fc	48.7 ft	48.9 ft

■ Vert. Spread: 116.8°  
■ Horiz. Spread: 116.9°

Photometric Data

50 Watt



Zonal Lumen Summary

Zone	Lumens	% Luminaire
0-30	3199.14	47.50
0-40	4770.94	70.80
0-60	6329.43	93.90
60-80	283.40	4.20
70-80	114.93	1.70
90-120	38.46	0.60
90-180	95.41	1.40
0-180	6760.02	100.30

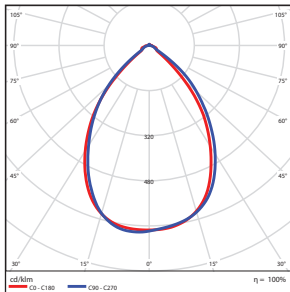
Total Luminaire Efficiency = 100.00%

Illuminance at a Distance

	Center Beam fc	Beam Width	
2.5R	706 fc	3.8 ft	3.9 ft
5.0R	176 fc	7.5 ft	7.8 ft
7.5R	78.4 fc	11.3 ft	11.7 ft
10.0R	44.1 fc	15.1 ft	15.6 ft
12.5R	28.2 fc	18.9 ft	19.6 ft
15.0R	19.6 fc	22.6 ft	23.5 ft

■ Vert. Spread: 74.1°  
■ Horiz. Spread: 76.1°

75 Watt



Zonal Lumen Summary

Zone	Lumens	% Luminaire
0-30	6365.06	46.80
0-40	9460.56	69.60
0-60	12743.93	93.70
60-80	576.48	4.20
70-80	224.85	1.70
90-120	74.71	0.50
90-180	188.81	1.40
0-180	13596.4	100.00

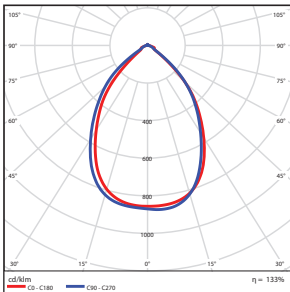
Total Luminaire Efficiency = 100.00%

Illuminance at a Distance

	Center Beam fc	Beam Width	
2.5R	1,401 fc	3.7 ft	3.9 ft
5.0R	350 fc	7.4 ft	7.8 ft
7.5R	156 fc	11.1 ft	11.7 ft
10.0R	87.6 fc	14.9 ft	15.6 ft
12.5R	56.1 fc	18.6 ft	19.5 ft
15.0R	38.9 fc	22.3 ft	23.4 ft

■ Vert. Spread: 73.2°  
■ Horiz. Spread: 75.8°

100 Watt



Zonal Lumen Summary

Zone	Lumens	% Luminaire
0-30	5929.86	44.50
0-40	8948.44	67.10
0-60	12774.59	95.80
60-80	524.78	3.90
70-80	159.46	1.20
90-120	1.45	0.00
90-180	13.07	0.10
0-180	13339.67	100.00

Total Luminaire Efficiency = 100.00%

Illuminance at a Distance

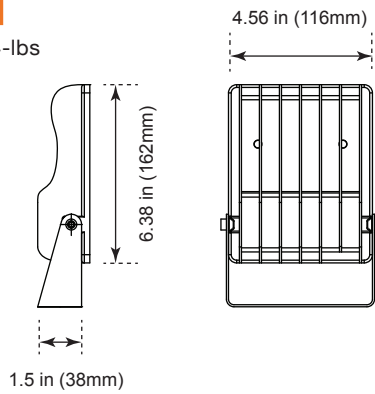
	Center Beam fc	Beam Width	
2.5R	1,293 fc	4.1 ft	4.0 ft
5.0R	323 fc	8.3 ft	8.1 ft
7.5R	144 fc	12.4 ft	12.1 ft
10.0R	80.8 fc	16.5 ft	16.2 ft
12.5R	51.7 fc	20.6 ft	20.2 ft
15.0R	35.9 fc	24.8 ft	24.2 ft

■ Vert. Spread: 79.1°  
■ Horiz. Spread: 77.9°

Product Dimensions

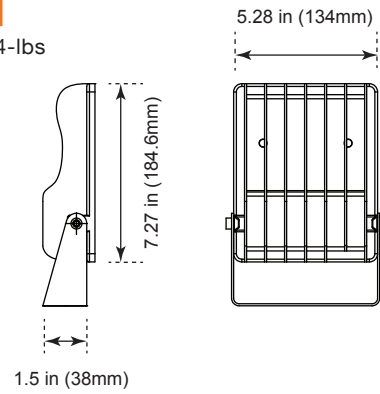
10 Watt

Weight: 1.04-lbs



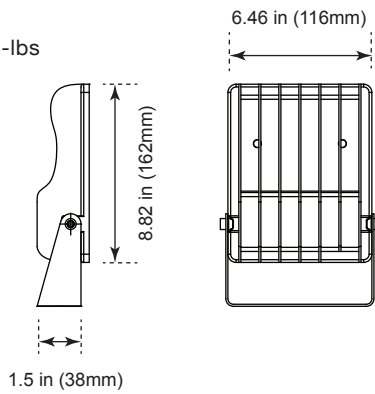
20/27 Watt

Weight: 1.04-lbs

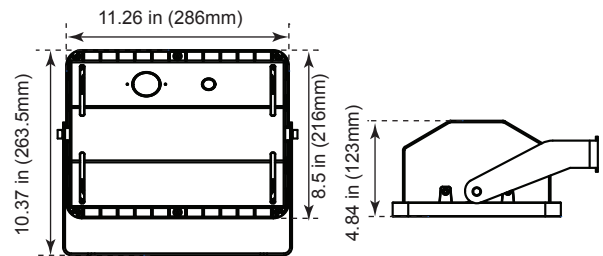


48 Watt

Weight: 2.12-lbs



50-100 Watt



Package

