

# VAPOR TIGHT JELLY JAR



## Product Description

naturaLED® LED Vapor Tight Jelly Jar (VTJ) are designed to replace incandescent and CFL fixtures with long-lasting illumination over doorways, scaffolding, construction sites, and many more applications. Our naturaLED® LED Vapor Tight Jelly Jars are IP65 Rated against ingress of dust, pressurized water and harsh environments. Constructed with cast aluminum housing and glass lens. Available in two different mounting options: ceiling and wall, 65% less energy and zero maintenance cost for up to 50,000+ average life hours.



## Features & Benefits

- ▶ Energy Star Qualified
- ▶ L70 Rated Chip for over 100,000 projected life hours
- ▶ High efficacy with 90 lumen per watt
- ▶ Frosted glass diffuser provides you glare-free light
- ▶ Uniform and consistent color: ANSI C78.377-2017
- ▶ UL 1598 for use in wet locations
- ▶ IP65 Rated
- ▶ High-temperature silicone gasket protects against moisture and dust
- ▶ Excellent thermal design
- ▶ Corrosion resistant powder coating
- ▶ 2KV surge protection
- ▶ Material: Die-Cast Aluminum / Glass
- ▶ Four 1/2" conduit entries for easy wiring

## Specifications

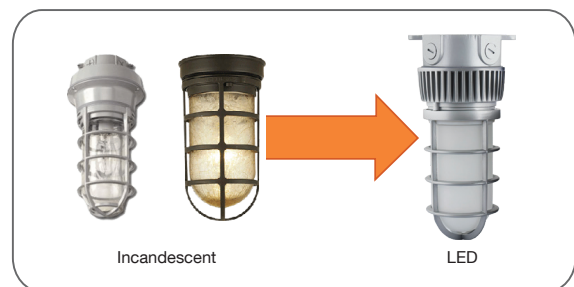
- ▶ Input line voltage: 120-277V
- ▶ Power Factor: >0.9
- ▶ THD: <20%
- ▶ Beam Angle: 120
- ▶ Operating temperature: -4°F - 122°F
- ▶ Finish: Silver

## Applications

- ▶ Security Lighting
- ▶ Doorway
- ▶ Scaffolding Lighting
- ▶ Construction Sites Lighting
- ▶ Fire Hydrants

## Retrofit / Save energy

Replace Incandescent and CFL with LED

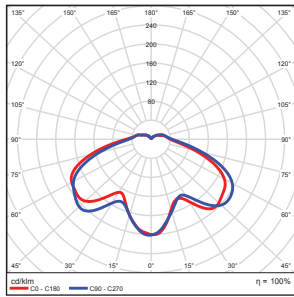


Ordering Information

Code	Description	CCT	Watt	Lumen	Equiv Wattage	Beam Angle	Voltage	Rated Hrs	IP65	Plusrite
7604	LED-FXVTJ20/830/MV-WM	3000K	20	1,700	150 incandescent/ 70 HID	120°	120-277	50,000	•	•
7605	LED-FXVTJ20/840/MV-WM	4000K	20	1,700	150 incandescent/ 70 HID	120°	120-277	50,000	•	•
7606	LED-FXVTJ20/830/MV-CM	3000K	20	1,700	150 incandescent/ 70 HID	120°	120-277	50,000	•	•
7607	LED-FXVTJ20/840/MV-CM	4000K	20	1,700	150 incandescent/ 70 HID	120°	120-277	50,000	•	•

Photometric Data

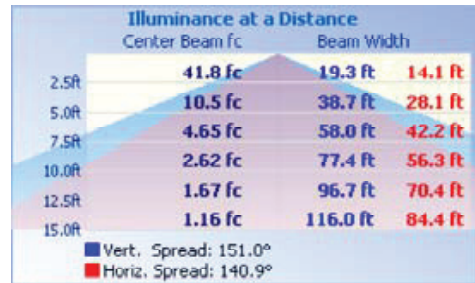
20 Watt



Zonal Lumen Summary

Zone	Lumens	% Luminaire
0-30	167.17	12.80
0-40	296.06	22.60
0-60	705.08	53.90
60-80	368.61	28.20
70-80	154.67	11.80
80-90	85.71	6.60
90-120	117.86	9.00
90-180	147.97	11.30
0-180	1307.38	100.00

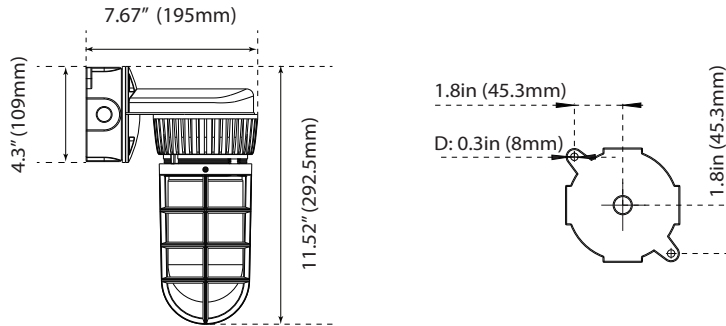
Total Luminaire Efficiency = 100.00%



Product Dimensions

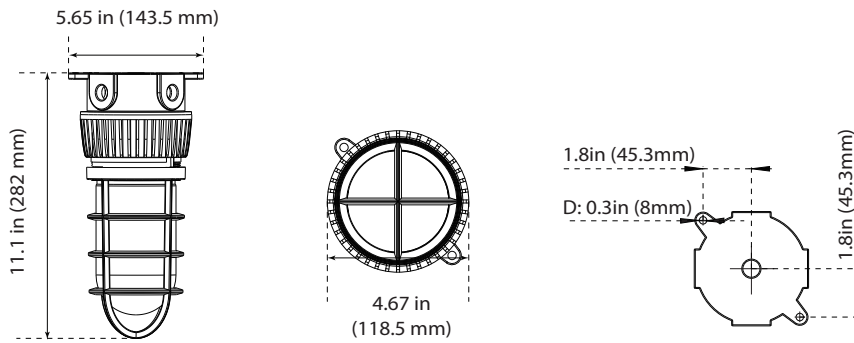
20W / Wall Mount

Weight: 3.79-lbs



20W / Ceiling Mount

Weight: 3.79-lbs



Package

