

G4 HID Retrofit Series

MEGALUMEN™

22, 27, 36, 45, 54, 80, 100, 120W

Mills Lighting 4th Generation MegaLumen Lamp boasts 150 lumen per watt. Mills Lighting LED-HIDRL Series lamps use Rubycon driver, Samsung chips, IP65 Wet location-rated design, waterproof, dust-proof, mosquito proof, driver is sealed with thermal paste, working temperature -40F ~ 140F, active heat dissipation with aircraft grade aluminum, 360 degree beam angle, flame retardant materials, suitable for use in totally enclosed fixtures. UL Listed. DLC 4.2 Qualified.



Project Name

Project: _____
 Location: _____
 Cat. No: _____
 Type: _____
 Qty: _____
 Notes: _____

Ordering Guide

EXAMPLE: LED-HIDRL-45W-EX39-I-4000K-G4

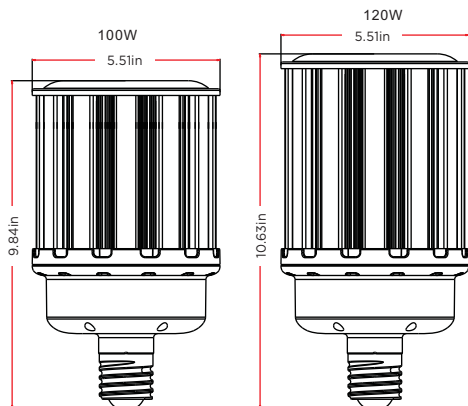
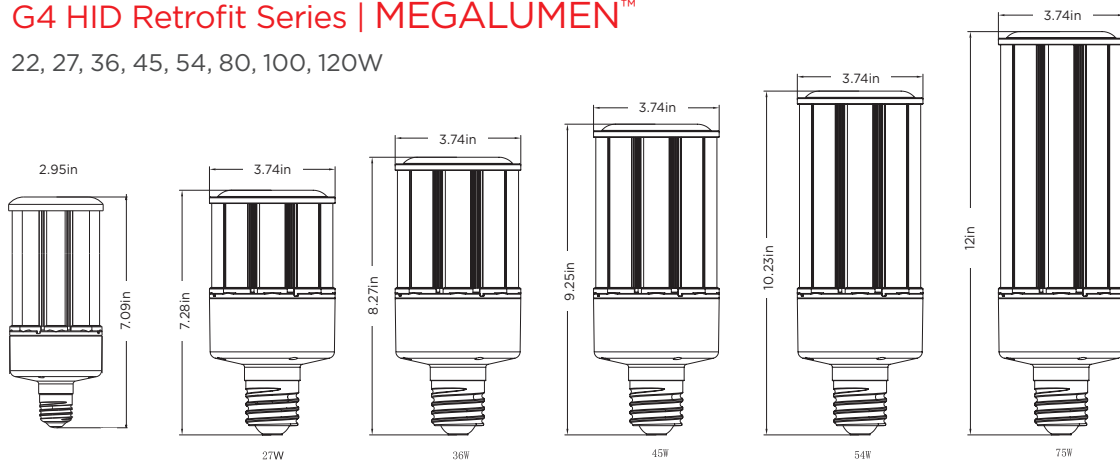
TYPE	WATTAGE	VOLTAGE	BASE	DRIVER	CCT	GENERATION
LED-HIDRL	22W = 22W	120-277V =UNV	E26	I = INTERNAL	2700K = 2700K	G4
	27W = 27W		EX39	R = REMOTE	3000K = 3000K	
	36W = 36W				3500K = 3500K	
	45W = 45W				4000K = 4000K	
	54W = 54W				4500K = 4500K	
	80W = 80W				5000K = 5000K	
	100W = 100W				5700K = 5700K	
	120W = 120W					

Mills Lighting Quick Ship Program Model #'s

LED-HIDRL-22W-UNV-E26-I-4000K-G4	LED-HIDRL-45W-UNV-EX39-I-4000K-G4
LED-HIDRL-22W-UNV-E26-I-5000K-G4	LED-HIDRL-45W-UNV-EX39-I-5000K-G4
LED-HIDRL-27W-UNV-E26-I-4000K-G4	LED-HIDRL-54W-UNV-EX39-I-4000K-G4
LED-HIDRL-27W-UNV-E26-I-5000K-G4	LED-HIDRL-54W-UNV-EX39-I-5000K-G4
LED-HIDRL-27W-UNV-EX39-I-4000K-G4	LED-HIDRL-80W-UNV-EX39-I-4000K-G4
LED-HIDRL-27W-UNV-EX39-I-5000K-G4	LED-HIDRL-80W-UNV-EX39-I-5000K-G4
LED-HIDRL-36W-UNV-E26-I-4000K-G4	LED-HIDRL-100W-UNV-EX39-I-4000K-G4
LED-HIDRL-36W-UNV-E26-I-5000K-G4	LED-HIDRL-100W-UNV-EX39-I-5000K-G4
LED-HIDRL-36W-UNV-EX39-I-4000K-G4	LED-HIDRL-120W-UNV-EX39-I-4000K-G4
LED-HIDRL-36W-UNV-EX39-I-5000K-G4	LED-HIDRL-120W-UNV-EX39-I-5000K-G4

G4 HID Retrofit Series | MEGALUMEN™

22, 27, 36, 45, 54, 80, 100, 120W



LED Wattage and Lumen Values

WATTS	LUMENS
22W	3300L
27W	4050L
36W	5400L
45W	6750L
54W	8100L
80W	12,000L
100W	15,000L
120W	18,000L



50,000 Hours Lamp Life



5 Year Warranty

© 2017 Mills LED. All rights reserved.

Mills LED reserves the right to make changes in specifications and/or to discontinue any product at any time without notice or obligation and will not be liable for any consequences resulting from the use of this publication.

Mills™ Lighting

Mills LED | 655 N Cassady Avenue, Columbus, OH 43219
Tel. 800-690-6403

MillsLED.com