



# MASTER LEDspot LV AR111 - Ideal solution for spot lighting in shops

## MASTER LEDspot LV AR111

Delivering a warm, halogen-like accent beam, MASTER LEDspot LV AR111 is an ideal retrofit solution for spot and general lighting applications in the hospitality and retail industry. It is particularly suitable for general lighting where the light is on all the time, such as creative accent lighting applications in shops, restaurants, hotels, and especially for galleries, exhibitions and museums. The robustly designed MASTER LEDspot LV AR111 offers various beam angles for a clearly defined beam spread. There is no UV or IR in the beam, making it suitable for illuminating heat-sensitive objects (food, organic materials, paintings, etc.). The patented intelligent driver enables broad compatibility with existing electromagnetic and electronic halogen transformers. MASTER LEDspot LV AR111 delivers huge energy savings and minimizes maintenance cost without any reduction in brightness.

### Benefits

- Up to 80% energy saving compared with halogen lamps
- Broad compatibility with transformers
- Retrofittable



**PHILIPS**

**Features**

- Patented intelligent driver
- Lifetime of 45,000 hours
- Low energy consumption

**Application**

- Shops, hotels, restaurants, bars, cafés

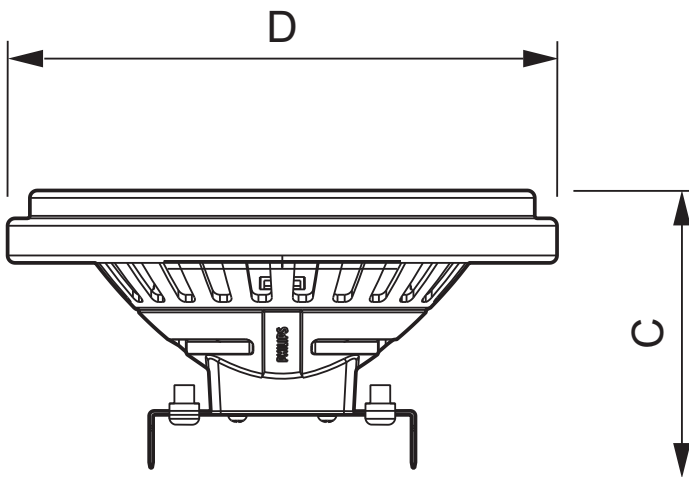
- Clearly defined beam spread
- UV- and IR-free light for less heat and protection for heat-sensitive objects

**Related products**



10-50W, 15-75W AR111

**Dimensional drawing**



**MASTER LEDspotLV D 10-50W 827 AR111 24D**

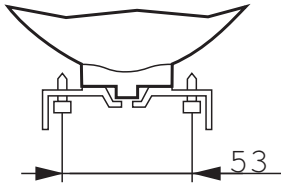
Product	C (Norm)	D (Norm)
LED D 10-50W 827 AR111 24D	111	56
LED D 10-50W 830 AR111 24D	111	56
LED D 10-50W 827 AR111 40D	111	56
LED D 10-50W 830 AR111 40D	111	56
LED D 15-75W 827 AR111 24D	111	56
LED D 15-75W 830 AR111 24D	111	56
LED D 15-75W 827 AR111 40D	111	56
LED D 15-75W 830 AR111 40D	111	56

**General Characteristics**

Order code	Full product name	Cap-Base	Bulb	Rated Life-time (hours)
929000260602	MASTER LEDspotLV D 10-50W 827 AR111 24D	G53	AR111	40000 hr
929000260702	MASTER LEDspotLV D 10-50W 830 AR111 24D	G53	AR111	40000 hr
929000260802	MASTER LEDspotLV D 10-50W 827 AR111 40D	G53	AR111	40000 hr
929000260902	MASTER LEDspotLV D 10-50W 830 AR111 40D	G53	AR111	40000 hr
929000261002	MASTER LEDspotLV D 15-75W 827 AR111 24D	G53	AR111	40000 hr

Order code	Full product name	Cap-Base	Bulb	Rated Life-time (hours)
929000261102	MASTER LEDspotLV D 15-75W 830 AR111 24D	G53	AR111	40000 hr
929000261202	MASTER LEDspotLV D 15-75W 827 AR111 40D	G53	AR111	40000 hr
929000261302	MASTER LEDspotLV D 15-75W 830 AR111 40D	G53	AR111	40000 hr

Installation diagrams

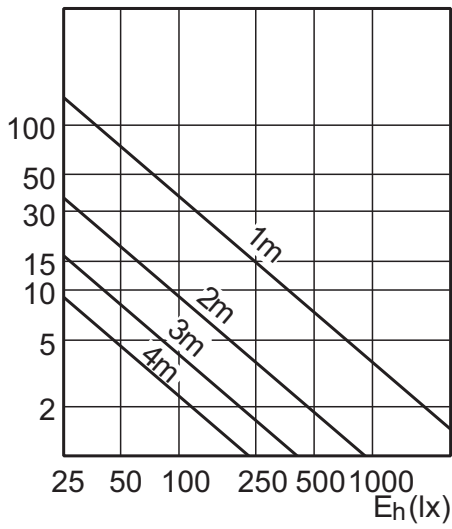


G53

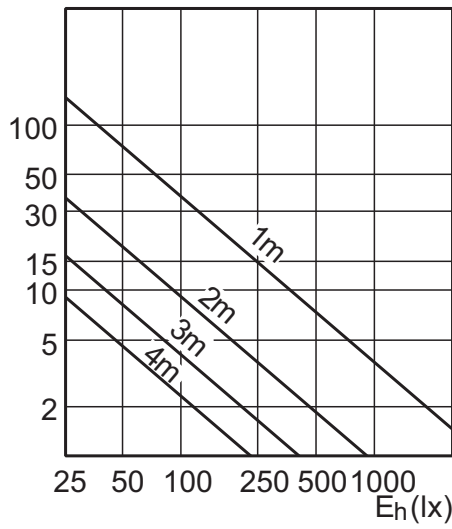
Light Technical Characteristics

Order code	Full product name	Color Code	Beam Angle	Luminous Flux	Luminous Intensity	Color rendering index	Color Temperature	Rated Luminous Flux	LLMF - end nominal lifetime	Rated Beam Angle
929000260602	MASTER LEDspotLV D 10-50W 827 AR111 24D	827	24 D	610 Lm	3620 cd	80	2700 K	610 Lm	70 %	24 D
929000260702	MASTER LEDspotLV D 10-50W 830 AR111 24D	830	24 D	645 Lm	3820 cd	80	3000 K	645 Lm	70 %	24 D
929000260802	MASTER LEDspotLV D 10-50W 827 AR111 40D	827	40 D	580 Lm	1250 cd	80	2700 K	580 Lm	70 %	40 D
929000260902	MASTER LEDspotLV D 10-50W 830 AR111 40D	830	40 D	610 Lm	1300 cd	80	3000 K	610 Lm	70 %	40 D
929000261002	MASTER LEDspotLV D 15-75W 827 AR111 24D	827	24 D	800 Lm	4750 cd	80	2700 K	800 Lm	70 %	24 D
929000261102	MASTER LEDspotLV D 15-75W 830 AR111 24D	830	24 D	840 Lm	4950 cd	80	3000 K	840 Lm	70 %	24 D
929000261202	MASTER LEDspotLV D 15-75W 827 AR111 40D	827	40 D	760 Lm	1660 cd	80	2700 K	760 Lm	70 %	40 D
929000261302	MASTER LEDspotLV D 15-75W 830 AR111 40D	830	40 D	800 Lm	1700 cd	80	3000 K	800 Lm	70 %	40 D

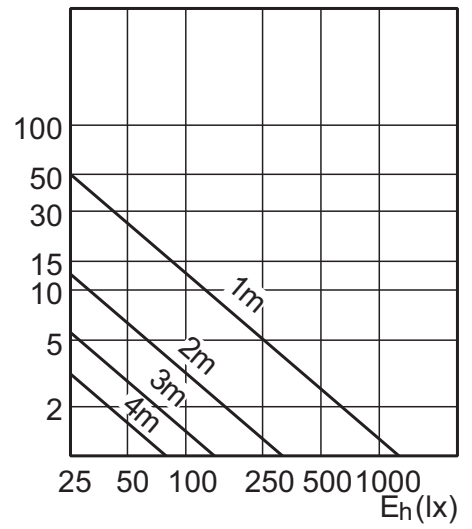
Light technical



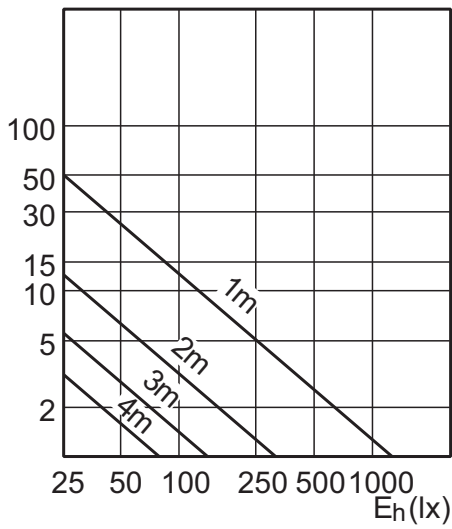
10-50W AR111 827 2700K 24D



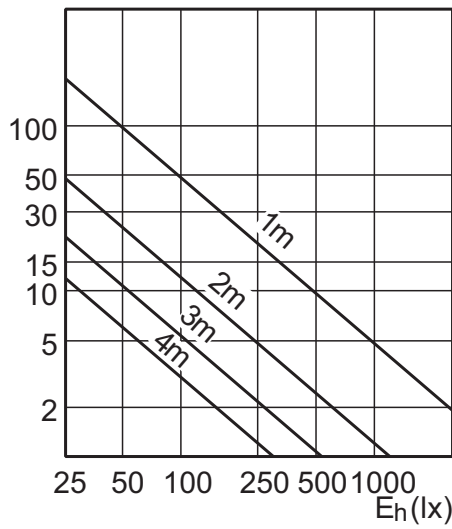
10-50W AR111 830 3000K 24D



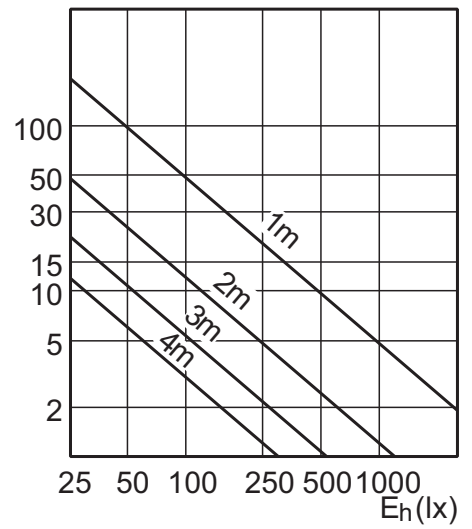
10-50W AR111 827 2700K 40D



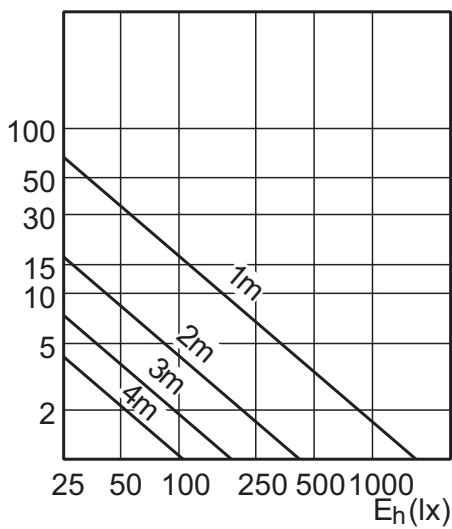
10-50W AR111 830 3000K 40D



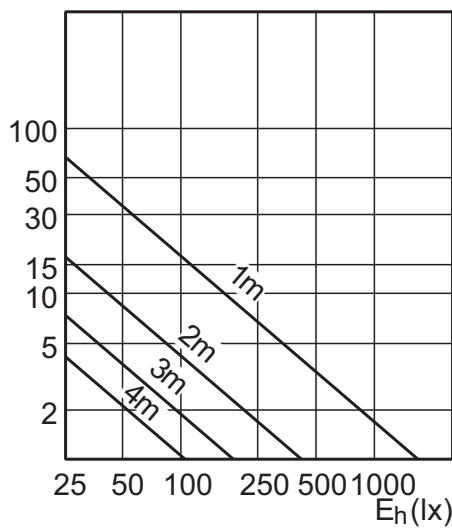
15-75W AR111 827 2700K 24D



15-75W AR111 830 3000K 24D

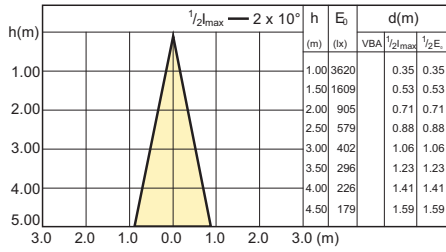


15-75W AR111 827 2700K 40D

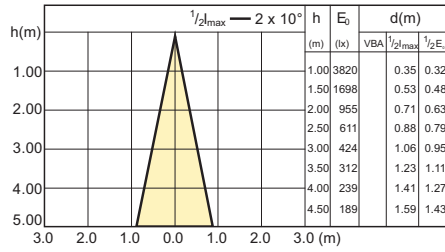


15-75W AR111 830 3000K 40D

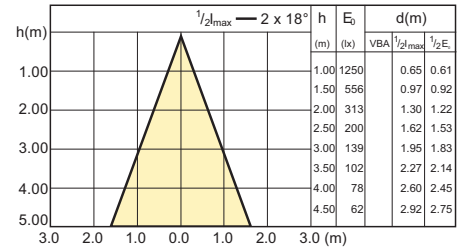
Light technical



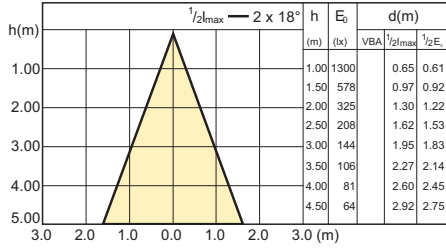
10-50W AR111 827 2700K 24D



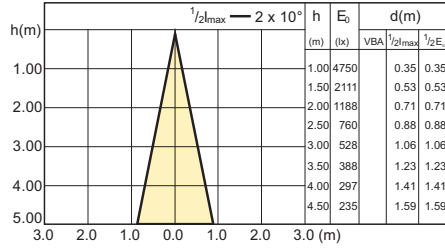
10-50W AR111 830 3000K 24D



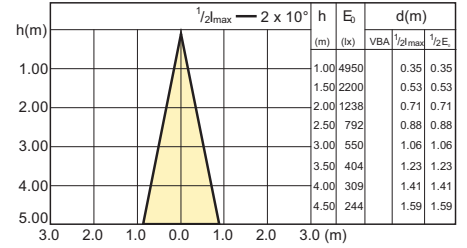
10-50W AR111 827 2700K 40D



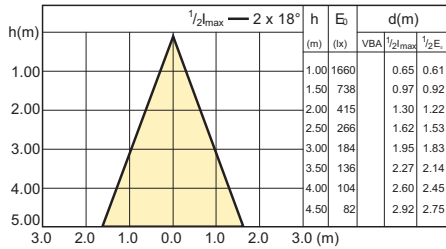
10-50W AR111 830 3000K 40D



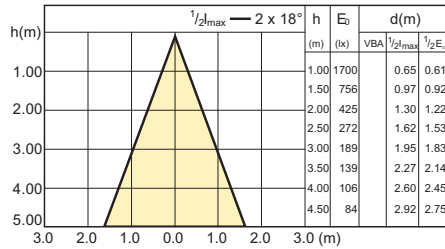
15-75W AR111 827 2700K 24D



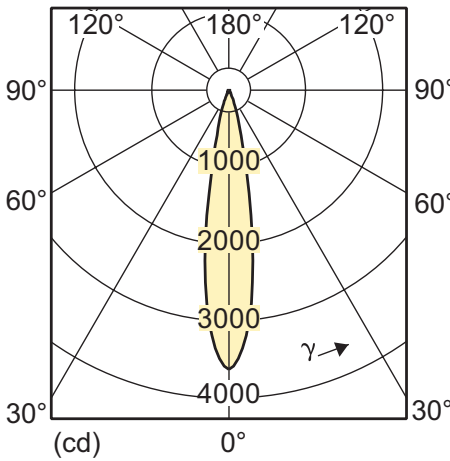
15-75W AR111 830 3000K 24D



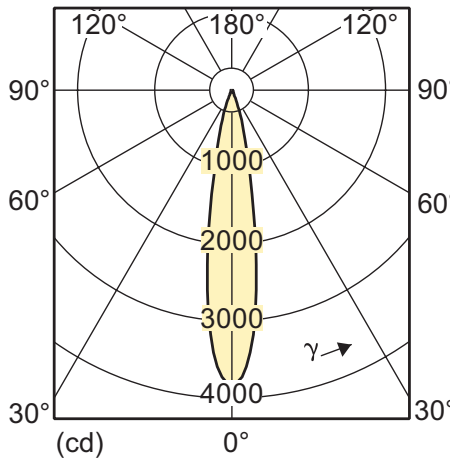
15-75W AR111 827 2700K 40D



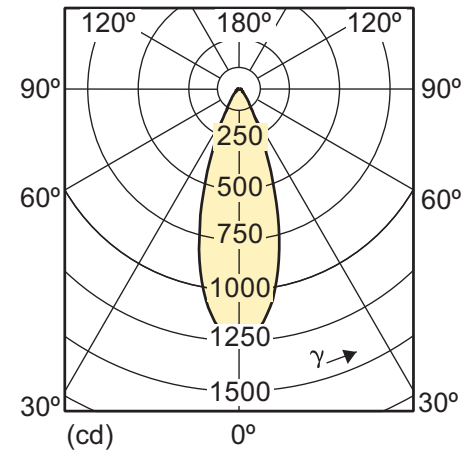
15-75W AR111 830 3000K 40D



10-50W AR111 827 2700K 24D

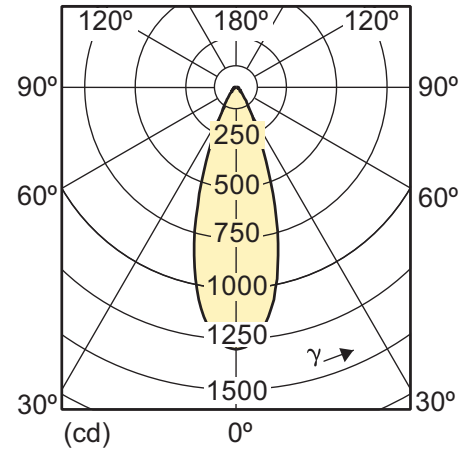


10-50W AR111 830 3000K 24D

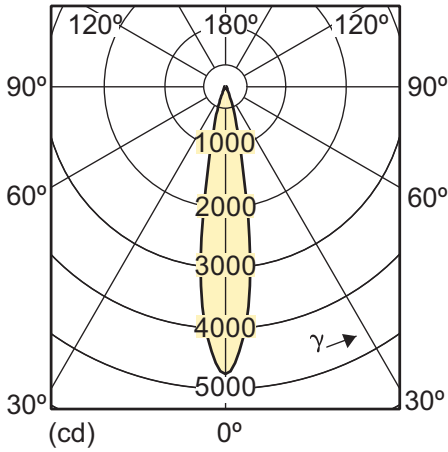


10-50W AR111 827 2700K 40D

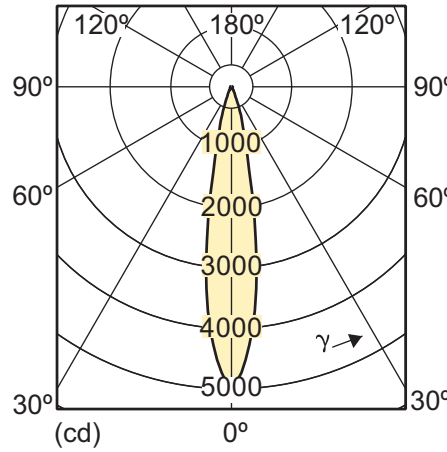
Light technical



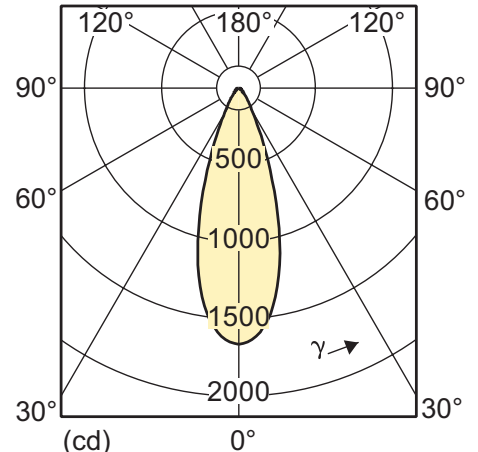
10-50W AR111 830 3000K 40D



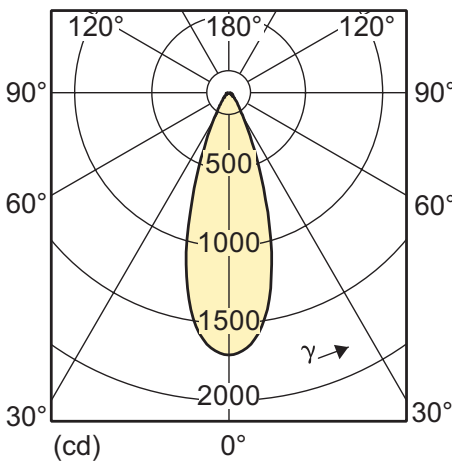
15-75W AR111 827 2700K 24D



15-75W AR111 830 3000K 24D



15-75W AR111 827 2700K 40D



15-75W AR111 830 3000K 40D

### Electrical Characteristics

Order code	Full product name	Wattage	Voltage	Line Frequency	Dimmable	Wattage Equivalent	Rated Wattage	Starting Time
929000260602	MASTER LEDspotLV D 10-50W 827 AR111 24D	10 W	12 V	50-60 Hz	Yes	50 W	10 W	1 (max) s
929000260702	MASTER LEDspotLV D 10-50W 830 AR111 24D	10 W	12 V	50-60 Hz	Yes	50 W	10 W	1 (max) s
929000260802	MASTER LEDspotLV D 10-50W 827 AR111 40D	10 W	12 V	50-60 Hz	Yes	50 W	10 W	1 (max) s
929000260902	MASTER LEDspotLV D 10-50W 830 AR111 40D	10 W	12 V	50-60 Hz	Yes	50 W	10 W	1 (max) s
929000261002	MASTER LEDspotLV D 15-75W 827 AR111 24D	15 W	12 V	50-60 Hz	Yes	75 W	15 W	1 (max) s
929000261102	MASTER LEDspotLV D 15-75W 830 AR111 24D	15 W	12 V	50-60 Hz	Yes	75 W	15 W	1 (max) s
929000261202	MASTER LEDspotLV D 15-75W 827 AR111 40D	15 W	12 V	50-60 Hz	Yes	75 W	15 W	1 (max) s
929000261302	MASTER LEDspotLV D 15-75W 830 AR111 40D	15 W	12 V	50-60 Hz	Yes	75 W	15 W	1 (max) s

### Temperature Characteristics

Order code	Full product name	T-case maximum
929000260602	MASTER LEDspotLV D 10-50W 827 AR111 24D	C
929000260702	MASTER LEDspotLV D 10-50W 830 AR111 24D	C
929000260802	MASTER LEDspotLV D 10-50W 827 AR111 40D	C
929000260902	MASTER LEDspotLV D 10-50W 830 AR111 40D	C
929000261002	MASTER LEDspotLV D 15-75W 827 AR111 24D	C
929000261102	MASTER LEDspotLV D 15-75W 830 AR111 24D	C
929000261202	MASTER LEDspotLV D 15-75W 827 AR111 40D	C
929000261302	MASTER LEDspotLV D 15-75W 830 AR111 40D	C

Order code	Full product name	Energy Efficiency Label (EEL)	Energy consumption kWh/1000h
929000261102	MASTER LEDspotLV D 15-75W 830 AR111 24D	A	16 kWh
929000261202	MASTER LEDspotLV D 15-75W 827 AR111 40D	A	16 kWh
929000261302	MASTER LEDspotLV D 15-75W 830 AR111 40D	A	16 kWh

### Environmental characteristics

Order code	Full product name	Energy Efficiency Label (EEL)	Energy consumption kWh/1000h
929000260602	MASTER LEDspotLV D 10-50W 827 AR111 24D	A	11 kWh
929000260702	MASTER LEDspotLV D 10-50W 830 AR111 24D	A	11 kWh
929000260802	MASTER LEDspotLV D 10-50W 827 AR111 40D	A	11 kWh
929000260902	MASTER LEDspotLV D 10-50W 830 AR111 40D	A	11 kWh
929000261002	MASTER LEDspotLV D 15-75W 827 AR111 24D	A	16 kWh

### Measuring Conditions

Order code	Full product name	Switching cycle
929000260602	MASTER LEDspotLV D 10-50W 827 AR111 24D	50000X
929000260702	MASTER LEDspotLV D 10-50W 830 AR111 24D	50000X
929000260802	MASTER LEDspotLV D 10-50W 827 AR111 40D	50000X
929000260902	MASTER LEDspotLV D 10-50W 830 AR111 40D	50000X
929000261002	MASTER LEDspotLV D 15-75W 827 AR111 24D	50000X
929000261102	MASTER LEDspotLV D 15-75W 830 AR111 24D	50000X
929000261202	MASTER LEDspotLV D 15-75W 827 AR111 40D	50000X
929000261302	MASTER LEDspotLV D 15-75W 830 AR111 40D	50000X



© 2014 Koninklijke Philips N.V. (Royal Philips)  
All rights reserved.

Specifications are subject to change without notice. Trademarks are the property of  
Koninklijke Philips N.V. (Royal Philips) or their respective owners.

[www.philips.com/lighting](http://www.philips.com/lighting)

2014, November 25  
data subject to change