



Application illustration only, subject lamps not used in photo.



## Type B Double Ended T5 LED Tubes (Ballast Bypass) Glass 2' - 4'

Convert your existing linear fluorescent fixture to LED lighting without needing a comprehensive reinstall. LED tubes are ideal for those seeking high energy savings with minimal installation time. The existing fixture is wired to bypass the ballast, which further reduces energy use and eliminates the need to check ballast compatibility. Additional maintenance savings are realized by removing costs associated with replacing ballasts.

### FEATURES

- 2' - 4' T5 HO & HE Tubes
  - 4' HO Tube: 25 Watts, 3300-3600 lumens
- Available in 3000K, 3500K, 4000K and 5000K
- 50,000 hour rated life
- Open or enclosed fixtures
- Ambient operating temperature -4°F to 113°F
- Non-dimmable
- Symmetrical Light Distribution- provides balanced replacement lighting and no dark spots in the fixture
- Misapplication Switch -lamp will remain safe if installed with ballast and will operate normally once placed in correct application
- Internal Safety Switch-protects installers
- 5 year limited warranty

### BENEFITS

- Fast and easy LED upgrade
- Low energy LFL replacement
- 66% longer life than LFL (50,000 vs. 30,000 hours)
- Better quality of light
  - instant on
- Fully illuminates fixture
  - >270° light distribution
- Easy disposal, non-hazardous waste
- Simply wire to bypass ballast-eliminating future ballast replacement costs
- No socket replacement necessary-use with shunted or non-shunted sockets

### RECOMMENDATIONS

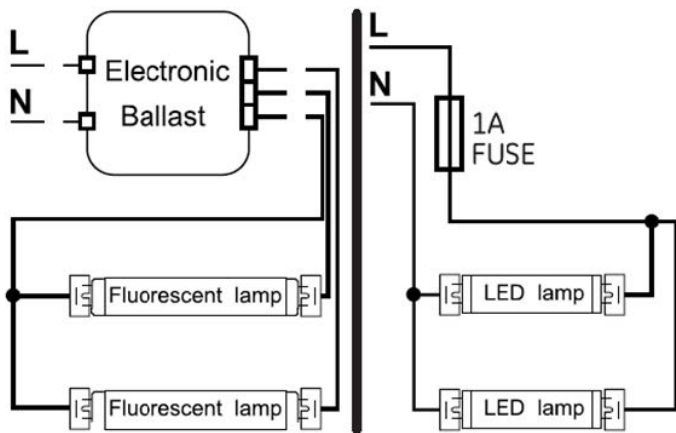
- Use In-line fuse kit to protect against future re-lamp misapplications
- In-line fuse available for ordering separately

## LED Tubes Type B - Double Ended

Base Type	Type	Watts	Order Code	Description	Volts	Case Qty**	MOL (In)	Lumens Initial	Initial Color Temp	CRI	Wattage Replacement	*Rated Life L70 (Hrs)	Power Factor	DLC®	UL	#Location Rating	Additional Information
<b>Ballast Bypass- 4 ft LED T5 HO Glass Tubes</b>																	
T5	25	93100292	LED25BDT5/G4/830	120-277	20	46	3300	3000	80	50,000	>.9	Yes	Yes	Damp	Double Ended Power		
	25	93100293	LED25BDT5/G4/835	120-277	20	46	3400	3500	80	50,000	>.9	Yes	Yes	Damp	Double Ended Power		
	25	93100294	LED25BDT5/G4/840	120-277	20	46	3500	4000	80	50,000	>.9	Yes	Yes	Damp	Double Ended Power		
	25	93100295	LED25BDT5/G4/850	120-277	20	46	3600	5000	80	50,000	>.9	Yes	Yes	Damp	Double Ended Power		
<b>Ballast Bypass- 3 ft LED T5 HO Glass Tubes</b>																	
T5	17	93114325	LED17BDT5/G3/830	120-277	20	33	2300	3000	80	50,000	>.9	-	Yes	Damp	Double Ended Power		
	17	93114626	LED17BDT5/G3/835	120-277	20	33	2400	3500	80	50,000	>.9	-	Yes	Damp	Double Ended Power		
	17	93114629	LED17BDT5/G3/840	120-277	20	33	2500	4000	80	50,000	>.9	-	Yes	Damp	Double Ended Power		
	17	93114814	LED17BDT5/G3/850	120-277	20	33	2550	5000	80	50,000	>.9	-	Yes	Damp	Double Ended Power		
<b>Ballast Bypass- 2 ft LED T5 HO Glass Tubes</b>																	
T5	11	93113793	LED11BDT5/G2/830	120-277	20	22	1500	3000	80	50,000	>.9	-	Yes	Damp	Double Ended Power		
	11	93114322	LED11BDT5/G2/835	120-277	20	22	1550	3500	80	50,000	>.9	-	Yes	Damp	Double Ended Power		
	11	93114323	LED11BDT5/G2/840	120-277	20	22	1600	4000	80	50,000	>.9	-	Yes	Damp	Double Ended Power		
	11	93114324	LED11BDT5/G2/850	120-277	20	22	1650	5000	80	50,000	>.9	-	Yes	Damp	Double Ended Power		
<b>Ballast Bypass- 4 ft LED T5 HE Glass Tubes</b>																	
T5	14	93128354	LED14BDT5G4830HE	120-277	20	46	2050	3000	80	50,000	>.9	Yes	Yes	Damp	Double Ended Power		
	14	93128355	LED14BDT5G4835HE	120-277	20	46	2100	3500	80	50,000	>.9	Yes	Yes	Damp	Double Ended Power		
	14	93128486	LED14BDT5G4840HE	120-277	20	46	2150	4000	80	50,000	>.9	Yes	Yes	Damp	Double Ended Power		
	14	93128487	LED14BDT5G4850HE	120-277	20	46	2150	5000	80	50,000	>.9	Yes	Yes	Damp	Double Ended Power		
<b>Ballast Bypass- 3 ft LED T5 HE Glass Tubes</b>																	
T5	11	93128488	LED11BDT5G3830HE	120-277	20	33	1600	3000	80	50,000	>.9	-	Yes	Damp	Double Ended Power		
	11	93128490	LED11BDT5G3835HE	120-277	20	33	1650	3500	80	50,000	>.9	-	Yes	Damp	Double Ended Power		
	11	93128491	LED11BDT5G3840HE	120-277	20	33	1700	4000	80	50,000	>.9	-	Yes	Damp	Double Ended Power		
	11	93128492	LED11BDT5G3850HE	120-277	20	33	1700	5000	80	50,000	>.9	-	Yes	Damp	Double Ended Power		
<b>Ballast Bypass- 2 ft LED T5 HE Glass Tubes</b>																	
T5	9	93128494	LED9BDT5G2/830HE	120-277	20	22	1250	3000	80	50,000	>.9	-	Yes	Damp	Double Ended Power		
	9	93128495	LED9BDT5G2/835HE	120-277	20	22	1300	3500	80	50,000	>.9	-	Yes	Damp	Double Ended Power		
	9	93128570	LED9BDT5G2/840HE	120-277	20	22	1350	4000	80	50,000	>.9	-	Yes	Damp	Double Ended Power		
	9	93128571	LED9BDT5G2/850HE	120-277	20	22	1350	5000	80	50,000	>.9	-	Yes	Damp	Double Ended Power		

## In-Line Fuse - Type B

Order Code	Description	Kit Contents
39017	BT8-1AFUSEKIT	1 Fuse (1A), 1 Fuse Holder



To learn more about saving money and energy, go to: [www.gecurrent.com](http://www.gecurrent.com)



**GE current**  
a Daintree company

[www.gecurrent.com](http://www.gecurrent.com)

© 2020 Current Lighting Solutions, LLC. All rights reserved. GE is a trademark of the General Electric Company and is used under license.

LEDL081 (Rev 07/09/20)