

SYLVANIA Lamps

LEDlescent™ T8 Ballast-Free Lamps

CCT Selectable UL Type B Family

Application

LEDlescent T8 Ballast-Free lamps provide a CCT selectable feature that allows for selecting a desired color temperature ranging from 3000K to 6500K. These lamps are an energy saving alternative, designed to replace traditional fluorescent T8/T12 lamps by bypassing the existing ballast. They contain no mercury, provide instant light and a uniform light distribution.

Engineered to operate directly on 120-277V, these lamps minimize labor and recycling costs. These lamps can be used with occupancy and vacancy sensors for enhanced energy savings.

When installing the LEDlescent T8 lamps, the UL rating of the existing fixture is not voided (even when it is electrically modified) since our LEDlescent T8 lamp is UL Classified (as a luminaire conversion retrofit kit) under UL standard 1598C. UL 1598C is the standard covering LED retrofits intended for an existing UL rated fixture. Since the user is retrofitting with a UL 1598C classified LED kit, the installer must follow the installation instructions included with the lamps for the modified fixture to retain its UL rating.

Benefits and Features

- CCT Selectable; 3000K, 3500K, 4100K, 5000K, 6500K
- Frosted glass optics with shatter-resistant PET coating
- For use with shunted and non-shunted sockets therefore no socket change is needed
- DLC listed allows for rebates in areas where applicable saving on overall project cost
- No polarity; can be installed in either direction, saving time (costs) in installation
- No risk of electrical arcing between the lamp pins and the lamp holders
- Suitable for dry and damp locations – not for use where directly exposed to water
- Dimmable using some 120V phase cut dimmers (tested and passed with LUTRON NTELV-300, NTELV-600, MAELV-600 and CTELV-303P dimmers).
- G13 medium bi-pin base
- No warm-up time, instant-on with full light output and stable lamp to selected lamp color
- Suitable for open and enclosed fixtures
- Efficacy ranging from 129 to 150 LPW
- CRI >80
- Offered in 8W (2ft), 12W (3ft & 4ft) and 15W (U-bend)
- Available in 2ft, 3ft, 4ft, and U-bend options
- Available beam angle: 220° (Linear), 170° (U-bend)
Light emitting angle 340° (Linear), 300° (U-bend)
- Energy savings up to 53%



Wattage Comparison

Traditional Source	Traditional System Wattage	LED System Wattage	Energy Savings	Number of Lamps
F017T8 w 2xQHE 2x32 ISN	29	18	39%	2
F025T8 w 2xQHE 2x32 ISN	43	25	42%	2
F032T8 w 2xQHE 2x32 ISN	55	26	53%	2
22.5" 32W U-bend T8 w/QHE 2X32T8/UNV ISN-SC	55	30	45%	2

Electrical

- Can be installed directly on 120-277V
- Power Factor >90%
- THD <20%

Rated Life

- 50,000 hours (L₇₀)

Warranty

- Standard 5 year limited lamp warranty (24/7 operation)
- NLB Trusted Warranty Program

Ambient Operating Range

- -4°F to +113°F (-20°C to +45°C)

Certifications and Listings

- cULus 1993
- cULus 1598c
- DLC 5.1
- RoHS
- FCC*
- NSF Listed: NSF/ANSI Standard 2 – Food Equipment

*FCC Title 47 CFR, Part 15 Non-Consumer



Specification Data

Catalog #	Type
Project	
Comments	
Prepared by	

Installation

Please refer to the Installation manual included inside the packaging and the application information listed below for more information (G13 medium bi-pin base).

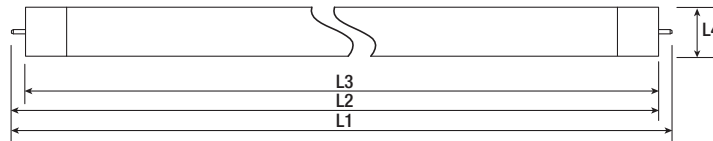
Ordering Guide

LED	XX	T8	XXX	FGP	DIM	8	SC12	BF
LED	Wattage 8 = 8 watts 12 = 12 watts 15 = 15 watts	Lamp Type T8	Length L24 = 24" L36 = 36" L48 = 48" U = Ubend	Coating FGP = Frosted glass w/PET coating	Dimming DIM = Dimmable	CRI 8 = 82	CCT SC12 = Selectable 3000K/3500K/4100K/ 5000K/6500K	Operation BF = UL Type B

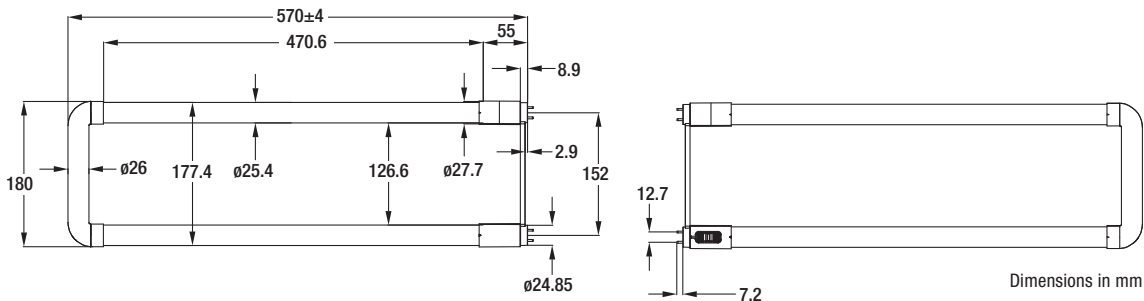
Ordering Information

Item Number	Ordering Abbreviation	Lamp Length	Lamp Power (W)	Initial Lumens @4100K (lm)	Efficacy (LPW)	Selectable Color Temp. (CCT)	CRI	Beam Angle (°)	Package Qty	DLC
41876	LED8T8L24FGPDIM8SC12BF	2ft	8	1050	131	3000K/3500K/4100K/5000K/6500K	>80	220	25	5.1
41877	LED12T8L36FGPDIM8SC12BF	3ft	12	1550	129	3000K/3500K/4100K/5000K/6500K	>80	220	25	5.1
41878	LED12T8L48FGPDIM8SC12BF	4ft	12	1800	150	3000K/3500K/4100K/5000K/6500K	>80	220	25	5.1
41879	LED15T8UFGPDIM8SC12BF	U-Bend	15	2000	133	3000K/3500K/4100K/5000K/6500K	>80	220	10	5.1

Physical Information



Lamp Description	L1 Length from End of Base Pin to End of Opposite Pin End	L2 Length from Base Face to Base Face	L3 Length of Center Connector Piece	L4 Bulb Outside Diameter
LED8T8L24FGPDIM8SC12BF (2ft)	23.72" ±0.055" (602.6mm ±1.4mm)	23.45" ±0.05" (595.65mm ±1.25mm)	Max 23.22" (589.8mm)	1.02" ±0.08" (25.9mm ±2.0mm)
LED12T8L36FGPDIM8SC12BF (3ft)	35.72" ±0.055" (907.4mm ±1.4mm)	35.45" ±0.05" (900.45mm ±1.25mm)	Max 35.22" (894.6mm)	1.02" ±0.08" (25.9mm ±2.0mm)
LED12T8L48FGPDIM8SC12BF (4ft)	47.725" ±0.055" (1212.2mm ±1.4mm)	47.45" ±0.05" (1205.25mm ±1.25mm)	Max 47.22" (1199.4mm)	1.02" ±0.08" (25.9mm ±2.0mm)

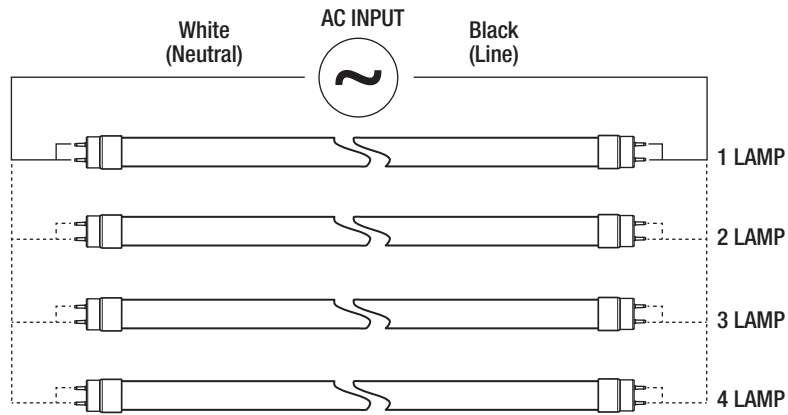


Lamp Description	Lamp Legs, center to center, nominal	Base face to lamp end (min/max)	Bulb diameter in bend	Bulb diameter in legs	Distance between legs (min)	Distance outside of legs (max)
LED15T8UFGPDIM8SC12BF (U-bend)	6.0" (152.0mm)	22.28" / 22.60" (566 mm/ 574 mm)	1.02" (26 mm)	1.0" (25.4 mm)	4.98" (126.6 mm)	7.09" (180 mm)

Dimmer Compatibility

Brand	Model	Input Voltage	Dimmer Type
Lutron	NTELV-300	120V	Phase Cut
Lutron	NTELV-600	120V	Phase Cut
Lutron	MAELV-300	120V	Phase Cut
Lutron	DVELV-303P	120V	Phase Cut

Wiring Diagram



Note:

1. LEDlescent™ lamp is polarity neutral. Can be installed in either direction.
2. Socket may be shunted or non-shunted. Tie socket leads together with an external jumper for a non-shunted socket.

Application Information

1. Please read and comply with all instructions before attempting installation.
2. All installation, inspection, and maintenance of lighting fixtures should be done with the power to the fixture turned off. Lamps should be installed and operated in compliance with the National Electrical Code (NEC), Underwriters Laboratories Inc. (UL) requirements, and all applicable codes and regulations.
3. EM ballast that operates with fluorescent ballasts must be disconnected from the lamps.
4. Please do not install LED lamps and fluorescent lamps in the same fixture.
5. Ensure lamp holders/sockets are in good operating condition before installation.
6. Best practice: cap off the remaining ballast wires should the ballast be left in the fixture after disconnecting.
7. LEDlescent is compatible with Philips Bodine ELI-S-20 Emergency Lighting Inverters and IOTA inverter models IIS-25-I, IIs-35-I, IIS-50-1, IIS125, IIS-375, IIS-550.
8. To prevent wiring damage or abrasion, do not expose wiring to edges of sheet metal or other sharp objects. Do not make or alter any open holes in an enclosure of wiring or electrical components during kit installation.
9. When using LEDlescent lamps, to conform to UL, you MUST affix the luminaire warning sticker, included inside the packaging, to the fixture during installation.
10. Do not adjust the CCT selectable switch while the luminaire is energized.
11. Make sure the lamps have the proper connections before restoring power.
12. Operating temperature range between -4°F and 113°F (-20°C and 45°C).
13. Suitable for use in dry and damp environments.
14. LED15T8UFGP8SC12BF U-bend is compatible with SYLVANIA EMBB NAED 75740, however due to a different topology, the T8 Linear lamps are not compatible with this EMBB.
15. For detailed warranty information, please see www.ledvanceUS.com.

LEDVANCE LLC
181 Ballardvale Street, Suite 203
Wilmington, MA 01887 USA
Phone 1-800-LIGHTBULB (1-800-544-4828)
www.ledvanceUS.com

SYLVANIA and LEDVANCE are registered trademarks.
All other trademarks are those of their respective owners.
Licensee of product trademark SYLVANIA in general lighting.
Specifications subject to change without notice.



SCAN TO FOLLOW US
ON SOCIAL MEDIA

