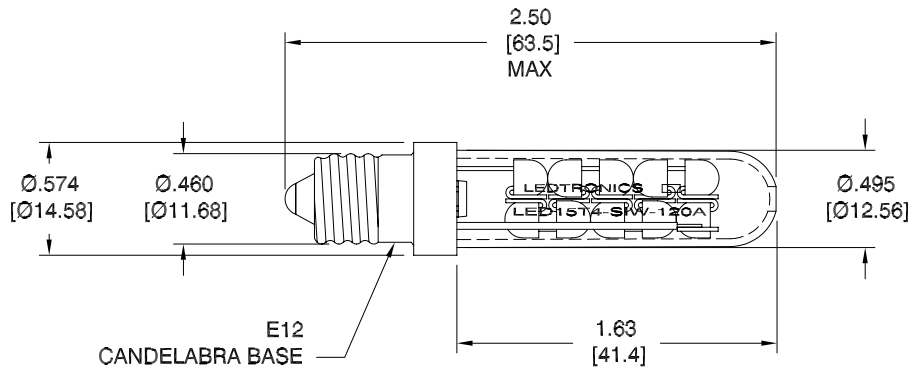


LTR	REVISION	DATE	APPD
A	082115-PL01: UPDATED TEST DATA	08-21-15	GP



**NOTES:**

1. ALL DIMENSIONS ARE IN INCHES [MILLIMETERS].
2. LENS MATERIAL: WATER CLEAR, POLYPROPYLENE (RoHS)
3. SLEEVE MATERIAL: RYNITE (RoHS)
4. BASE MATERIAL: BRASS (RoHS)  
NICKEL PLATED BRASS
5. OPERATING TEMPERATURE: ~-30°C to ~+50°C

REVISION NOTIFICATION	
<input type="checkbox"/>	DLC
<input type="checkbox"/>	UL/ETL
<input type="checkbox"/>	MADE IN USA
<input type="checkbox"/>	CUSTOMER _____
<input type="checkbox"/>	OTHER

**ELECTRICAL-OPTICAL CHARACTERISTICS (Ta=25°C)**

LED15T4-SIW-120A	WARM WHITE	120Vac	0.020 A	1.0 W	32	32	2800K~3200K
LEDTRONICS PART NO.	COLOR EMITTED	INPUT VOLTAGE, V	CURRENT (A)	POWER (W)	TOTAL LUMENS	EFFICACY lm/W	COLOR TEMP. (Kelvin)



**-PROPRIETARY-**  
 This document contains Proprietary information of LEDTRONICS, INC. It may not be copied, used or disclosed for any purpose without the prior express written consent of LEDTRONICS, INC.

.XXX ± .010 TOLERANCE PER ANSI-Y14.5  
 .XX ± .025 (UNLESS OTHERWISE STATED)  
 ANGLES ± 0°,30'  
 FRACT. ± 1/32

TITLE						
<b>LED15T4-SIW-120A</b>						
DWG NO		SCALE		SHEET		DATE
LED15T4-120VAC		1:1		1 OF 1		04-01-10
CODE IDENT NO.	DWG BY	CHK BY	QA	MFG	R&D	
8Z410	GP 04-01-10	PL 08-21-15				