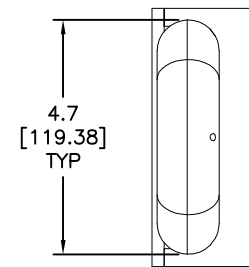
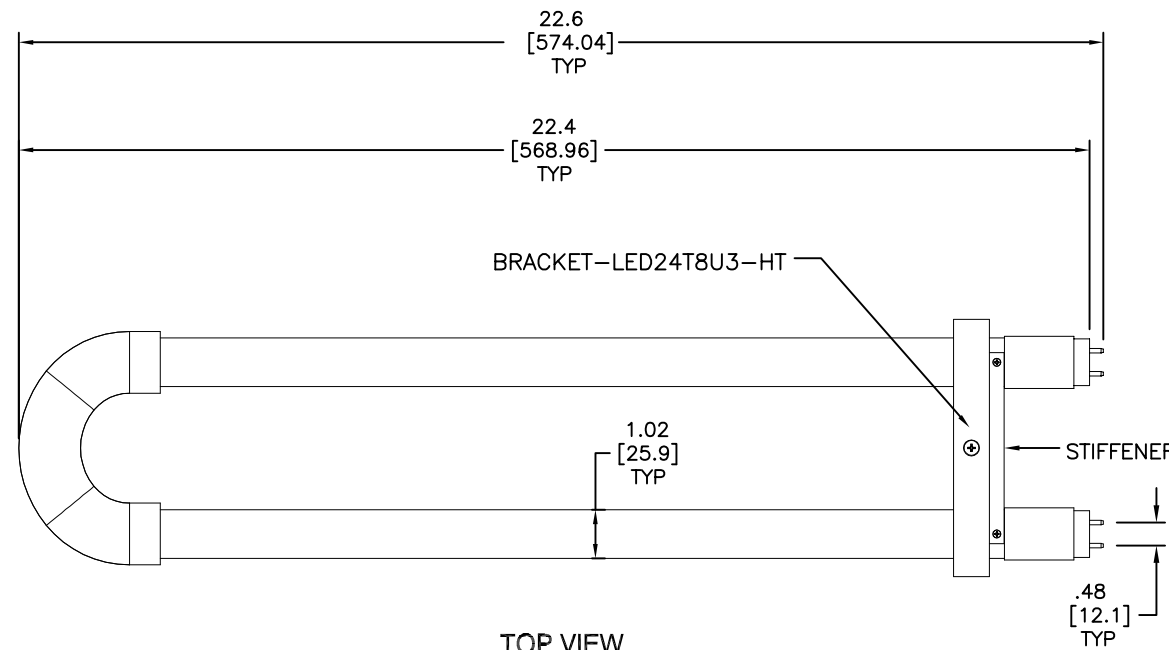


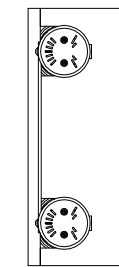
LTR	REVISION	DATE	APPD
1	PRELIMINARY	07-15-21	



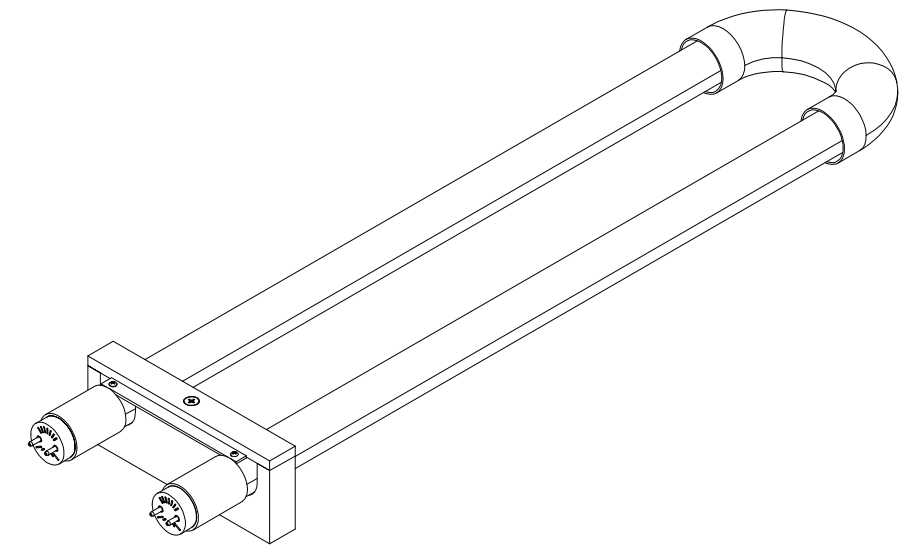
BACK VIEW



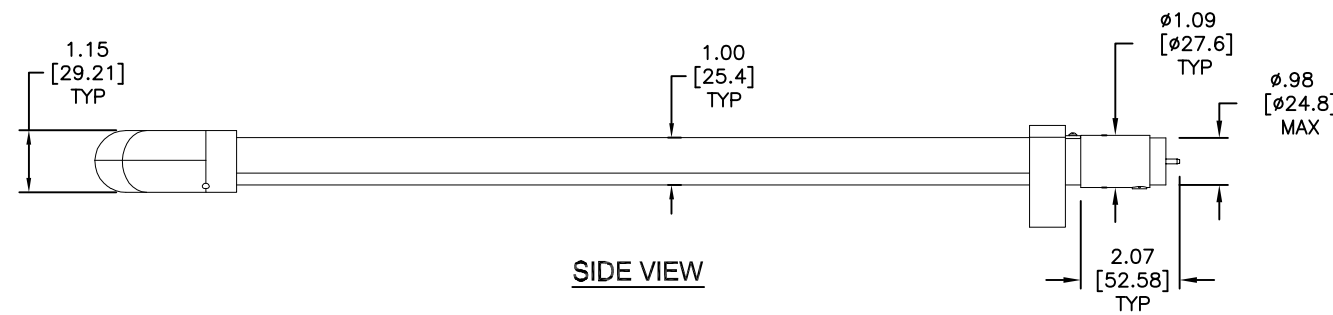
TOP VIEW



FRONT VIEW



ISOMETRIC VIEW



SIDE VIEW

NOTE:

- ALL DIMENSIONS ARE IN INCHES [MILLIMETERS].

REVISION NOTIFICATION	
<input type="checkbox"/>	DLC
<input type="checkbox"/>	UL/ETL
<input type="checkbox"/>	MADE IN USA
<input type="checkbox"/>	CUSTOMER _____
<input type="checkbox"/>	OTHER _____
REDLINE CHECKLIST	
<input type="checkbox"/>	REDLINE(YES)
<input type="checkbox"/>	DATE: _____
<input type="checkbox"/>	INITIATED BY: _____
<input type="checkbox"/>	ECR REQUIRED YES <input type="checkbox"/> NO <input type="checkbox"/>
<input type="checkbox"/>	WORK ORDER# _____

 LEDTRONICS, INC. 23105 KASHIWA COURT TORRANCE, CA 90505	-PROPRIETARY- This document contains Proprietary information of LEDTRONICS, INC. It may not be copied, used or disclosed for any purpose without the prior express written consent of LEDTRONICS, INC.		TITLE LED24T8U3-18W-HT-XNW-101WF-B			
	DWG NO	SCALE	SHEET	DATE		
	CMMS2532-CUST	1:4	1 OF 1	07-15-21		
	CODE IDENT NO.	DWG BY	CHK BY	QA	MFG	R&D
8Z410	HF 07-15-21		SB 07-16-21	LD 07-16-21	UF 07-16-21	