



23105 Kashiwa Court, Torrance, CA 90505
Phone: (800) 579-4875 or (310) 534-1505 Fax: (310) 534-1424
E-mail: info@ledtronics.com
Website: http://www.ledtronics.com

LED25T10-8W-XHW-001AW

LED Light Bulb, Rotatable E26 Base, Rt. Angle
85~277Vac, Halogen White, 2700K
Angle of illumination: 120°



DWG BY:
UGC / GP
01-05-15

R&D:
UF
10-02-19

MFG:
LD
10-03-19

QA:
SB
10-03-19

REVISION LTR: B
ECR#: 091219-UF01
10-02-19

○ **Features**

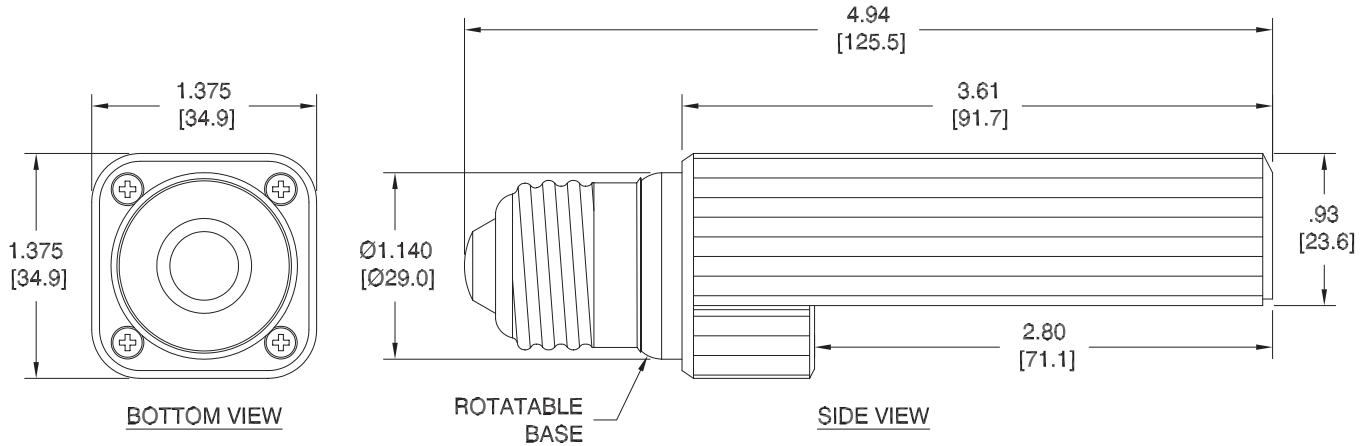
Operating Temperature	-40°C to +50°C
Heatsink Temperature	60°C
Heatsink Material / Color	Extruded Aluminum / Silver
Base Material / Color	Polycarbonate / White
Lens Material / Color	Polycarbonate / Clear
LED LM80 Report	-
LM79 Report	-
LED Type / Qty.	SMD2835 / 40 pcs.
Dimmable	No
Life Span	50,000 hrs.
Warranty	3 Years
Weight	0.2 lbs.


 ○ **Electro-Optical Characteristics**

Part Number	LED25T10-8W-XHW-001AW
Input Voltage (typ)	85~277Vac
Tested @ (Voltage)	120Vac
Power Consumption	7.6W
Current Consumption	0.064 A
Efficacy: (Lm/W)	93.26
Lumens	708.8 lm
Max Ft-Cd	244.8 cd
Power Factor	0.99
CRI (Ra)	>80
CCT	2700K
Color	Halogen White
Angle of illumination	115° x 115°

○ **Dimensions**

Caution: Intended only for installation where the lamp is oriented horizontally, with light beaming downward.



Notes:

1. All Dimensions are in Inches [Millimeters].

Tolerance:

XXX +/- .010
XX +/- .025