



23105 Kashiwa Court, Torrance, CA 90505  
Phone: (800) 579-4875 or (310) 534-1505 Fax: (310) 534-1424  
E-mail: info@ledtronics.com  
Website: http://www.ledtronics.com

# LED48T8KL1-15W-XxW-101Wx (SERIES)

LED T8 Tube Lights, Ballast Bypass, Clear & Frosted White  
100~277Vac, 4 ft., 2 Pin G13 Base, 15W  
Natural White (4000K) & Pure White (5000K)

LED48T8KL1-15W-XNW-101WC

LED48T8KL1-15W-XPW-101WC



LED48T8KL1-15W-XNW-101WF

LED48T8KL1-15W-XPW-101WF

DWG BY:  
FKT / HF  
09-11-20

R&D:  
UF  
12-08-20

MFG:  
LD  
12-08-20

QA:  
SB  
12-08-20

REVISION LTR: PRELIMINARY (3)  
ECR#: 120720-UF01  
12-07-20

### ○ Features

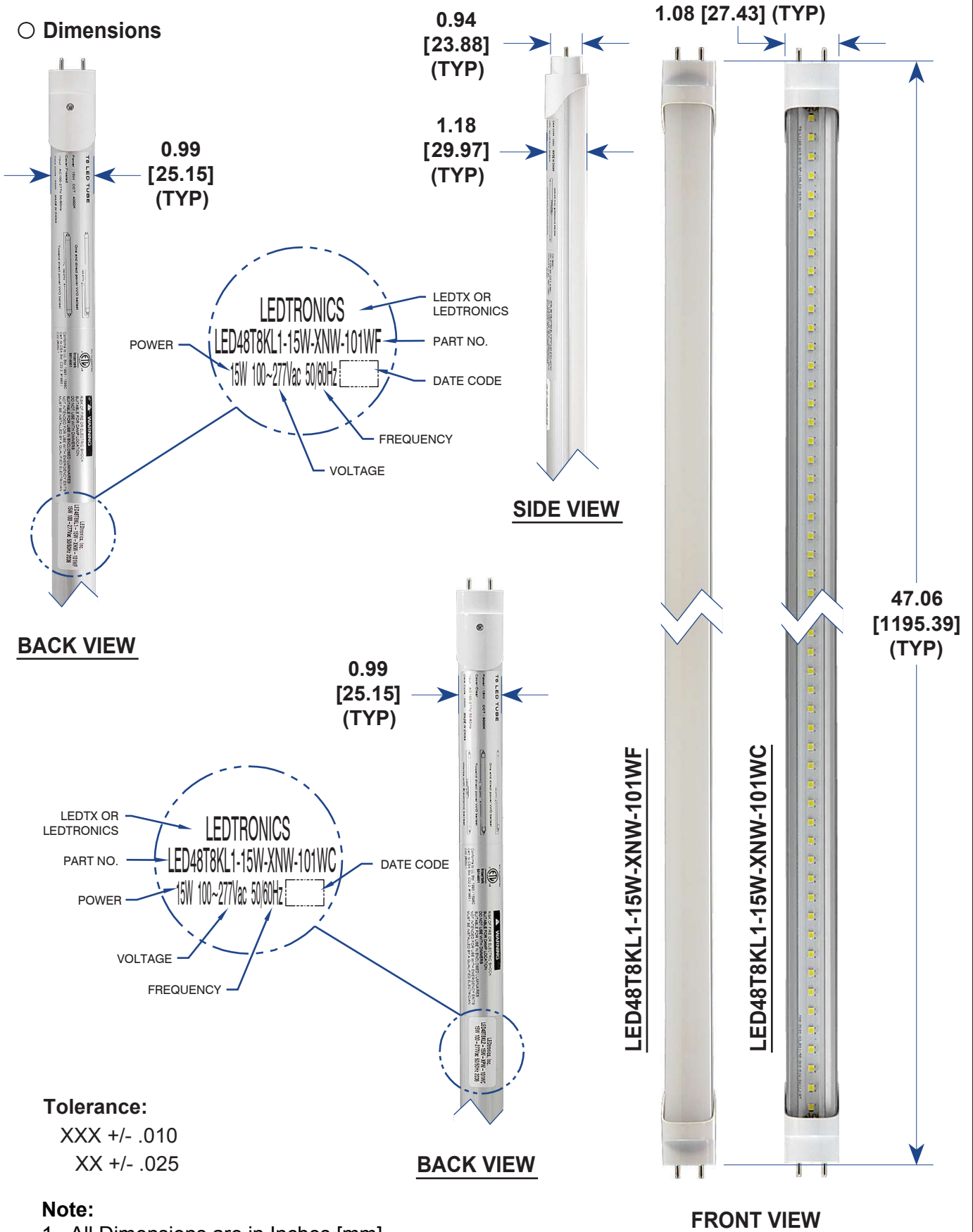
Operating Temperature	-20°C ~ +55°C
Storage Temperature	-40°C ~ +60°C
Heatsink Temperature	28°C (-WF) / 29°C (-WC)
Heatsink Material / Color	Aluminum / Silver
Lens Material	Polycarbonate
Lens Color	Clear or Frosted White
LED Type / Quantity	SMD2835 / 120 pcs.
ETL/cETL Classified	5014001 (JL-T8-15B4FT-XXY)
LED LM80 Report	-
LM79 Report	-
Protection Rating	IP40
Dimmable	No
Lifespan	50,000 hrs.
Warranty	5 Years
Weight	0.53 lbs. / 0.24 kg.
<b>Caution Label</b>	<b>Suitable for Damp Locations</b>



### ○ Electro-Optical Characteristics

Part Number	LED48T8KL1-15W-XNW-101WC	LED48T8KL1-15W-XPW-101WC
Input Voltage (typ)	100~277Vac	100~277Vac
Tested @ (Voltage)	120Vac	120Vac
Power Consumption	15 W	15 W
Current Consumption	0.13 A	0.14 A
Efficacy: (Lm/W)	126	162
Lumens	1,851 lm	2,425 lm
Max Ft-Cd	560 cd	828 cd
Power Factor	0.97	0.98
CRI (Ra)	>80	>80
CCT	4000K	5000K
Color	Natural White	Pure White
Angle of illumination	120° x 125°	120° x 110°
√RoHS COMPLIANT	No	Yes
Part Number	LED48T8KL1-15W-XNW-101WF	LED48T8KL1-15W-XPW-101WF
Input Voltage (typ)	100~277Vac	100~277Vac
Tested @ (Voltage)	120Vac	120Vac
Power Consumption	15 W	15 W
Current Consumption	0.13 A	0.13 A
Efficacy: (Lm/W)	166	128
Lumens	2,485 lm	1,875 lm
Max Ft-Cd	631 cd	440 cd
Power Factor	0.98	0.97
CRI (Ra)	>80	>80
CCT	4000K	5000K
Color	Natural White	Pure White
Angle of illumination	115° x 140°	115° x 155°
√RoHS COMPLIANT	Yes	No

○ Dimensions



**Tolerance:**

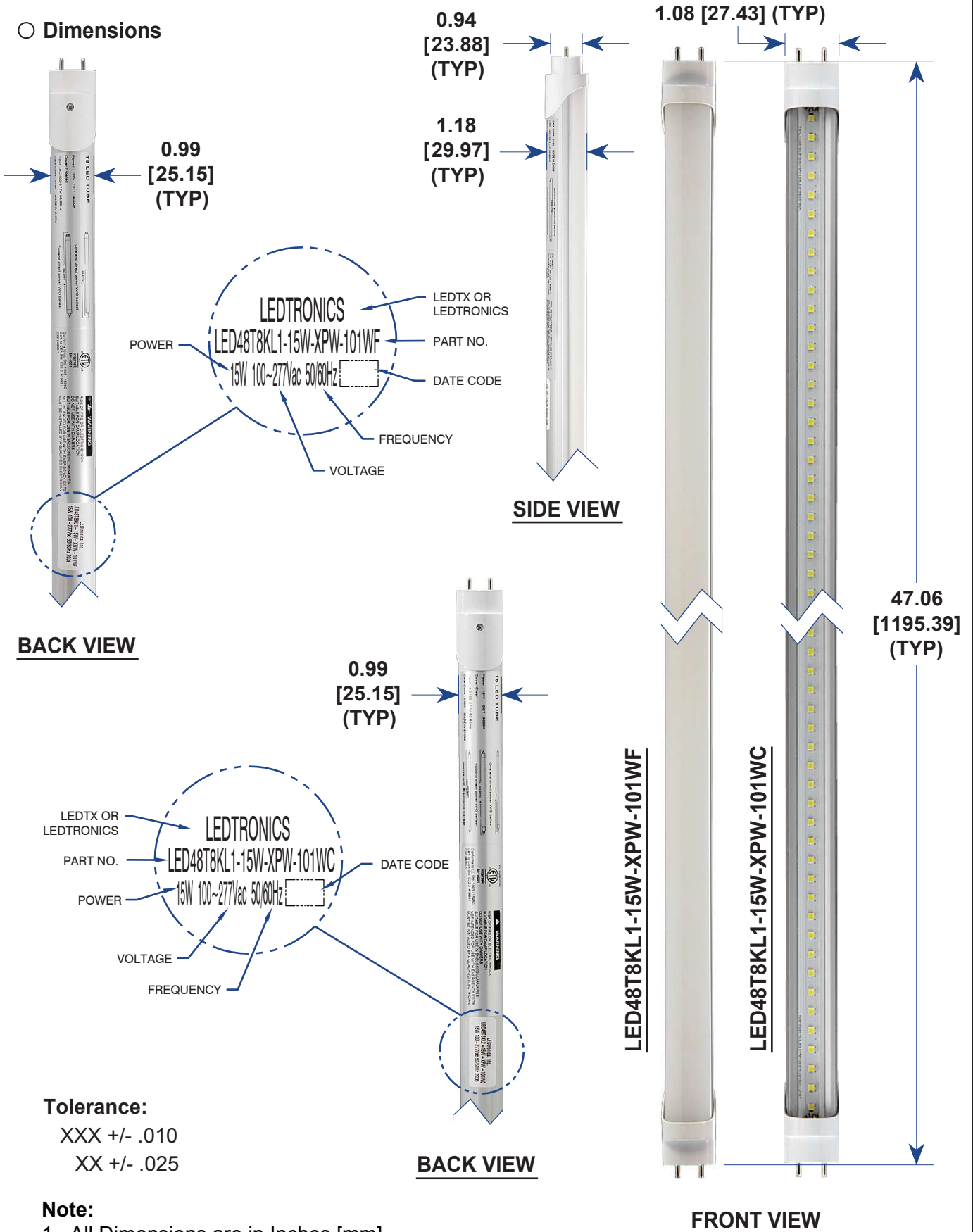
XXX +/- .010

XX +/- .025

**Note:**

1. All Dimensions are in Inches [mm].

○ **Dimensions**



**Tolerance:**  
XXX +/- .010  
XX +/- .025

**Note:**  
1. All Dimensions are in Inches [mm].