

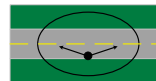
OSRAM ReliaSys™ D6 Area Light LED Retrofit Kit



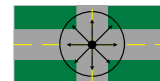
The D6 Area Light LED Retrofit Kit from OSRAM is an alternative to high-intensity discharge (HID) lamps up to 250W at pole heights up to 30 feet.* The directional light distribution of high power LEDs allows the delivery of light only where needed, reducing wasted light and minimizing light trespass and upward emissions. The D6 is an environmentally preferable lighting solution as it contains no mercury or lead. It is an excellent solution for communities that wish to convert their existing lighting systems as it offers substantial energy and maintenance cost savings as well as minimizes waste in landfills. OSRAM SYLVANIA will provide direction and assistance to customers to ensure proper installation of the D6 unit.

Key Features & Benefits

- Reduces energy consumption up to 68%
- Provides significant maintenance cost savings by lasting 2-6 times longer than HID lamps
- Enhances light quality with better uniformity and color performance
- 70,000 hours life at 70% lumen maintenance
- 120-277V AC input voltage at 60Hz with 10kV surge protection
- UL1310 recognized Class 2 OPTOTRONIC® power supply
- Mercury free
- UV and IR free
- RoHS compliant
- Up to 30 feet mounting height
- Ability to power down for sunrise and sunset to save energy with dual ballast
- Smaller diameter to fit into most applications
- Mounting hardware included in kit and for all three methods: Top, Middle, Bottom



Type-III



Type-V

This device complies with part 15 of the FCC Rules. Operation is subject to the following two conditions: (1) This device may not cause harmful interference, and (2) this device must accept any interference received, including interference that may cause undesired operation. For FCC Part 15 user information, please see www.sylvania.com/fcc15b.

*Results vary by fixture type when compared to an MH source.

Application Information

Applications

- College and business park campuses
- Historic restorations and downtown business districts
- Public lots and garages
- Residential roadways, walkways and bikeways
- Shopping centers, malls and plazas

Application Notes

1. Maximum ambient temperature in which the D6 Area Light LED Retrofit Kit can operate is dependent on luminaire design.
2. Temperature of the D6 Area Light LED Retrofit Kit inside the retrofitted luminaire must be determined to ensure maximum is not exceeded. See installation instruction guide for details.
3. To prevent personal injury or product damage only licensed electricians should provide all installation services
4. Please read installation manual before attempting installation
5. Recommended mounting height up to 30 feet
6. UL classification for post top and shoebox fixtures

Specification Data

Catalog #	Type
Project	
Comments	
Prepared by	

Ordering Information

Item Number	Ordering Abbreviation	Wattage (W) ¹	Input Voltage (VAC)	Power Factor ²	Efficacy (lm/W) ³	Rated Life (L ₇₀) ⁴	Typical Lumens (lm) ⁵	CCT ⁶	CRI
75292	LED35RETROFIT/750/T3M/D6	35	120-277	0.90	72	70,000	2520	5000K	70
78647	LED35RETROFIT/741/T5M/D6	35	120-277	0.98	74	70,000	2600	4100K	78
78646	LED35RETROFIT/750/T5M/D6	35	120-277	0.98	74	70,000	2600	5000K	76
78645	LED55RETROFIT/741/T5M/D6	55	120-277	0.98	65	70,000	3600	4100K	78
78631	LED55RETROFIT/756/T3S/D6	55	120-277	0.98	65	70,000	3600	5600K	71
78628	LED55RETROFIT/750/T5M/D6	55	120-277	0.98	71	70,000	3900	5000K	77
78630	LED55RETROFIT/750/T3M/D6	55	120-277	0.98	69	70,000	3800	5000K	78
78629	LED55RETROFIT/656/T5S/D6	55	120-277	0.97	67	70,000	3700	5600K	69
78915	LED70RETROFIT/741/T5M/D6/HP	70	120-277	0.90	85	70,000	6000	4100K	70
78882	LED70RETROFIT/750/T5M/D6/HP	70	120-277	0.90	85	70,000	6000	5000K	70
78202	LED70RETROFIT/741/T3M/D6	70	120-277	0.90	85	70,000	5800	4100k	70
78203	LED70RETROFIT/750/T3M/D6	70	120-277	0.90	85	70,000	6000	5000K	70

1. Power factor at 120V

2. Hours lifetime with 70% lumen maintenance is based on operating the D6 light engine inside the luminaire at a temperature below a maximum of 85°C measured at the temperature test point (Tc).

Ordering Guide

LED	55	RETROFIT	/	750	/	T5M	/	D6
LED Lamps and Retrofits	Wattage: 35W, 55W, 70W	Retrofit Kit		CRI, CCT: 750: 70+ CRI, 5000K CCT 756: 70+ CRI, 5600K CCT 741: 70+ CRI, 4100K CCT 656: 60+ CRI, 5600K CCT		Light Distribution: T5M: Type-V T5S: Type V T3M: Type III T3S: Type III		Diameter: 6 inches

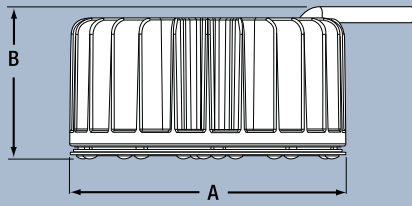
Power Supply Ordering Information

Item Number	Ordering Abbreviation	Power Supply IP Rating
51530-2	OT40/UNV/1110E*	IP66

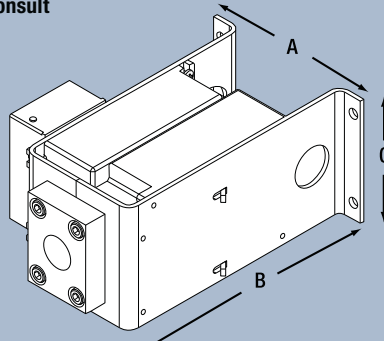
* Constant current power supply (1.11A). UL 1310 and UL 48 recognized for US & Canada. Class 2 unit

Technical Information

For optimal performance in your fixture, please consult OSRAM for application assistance.



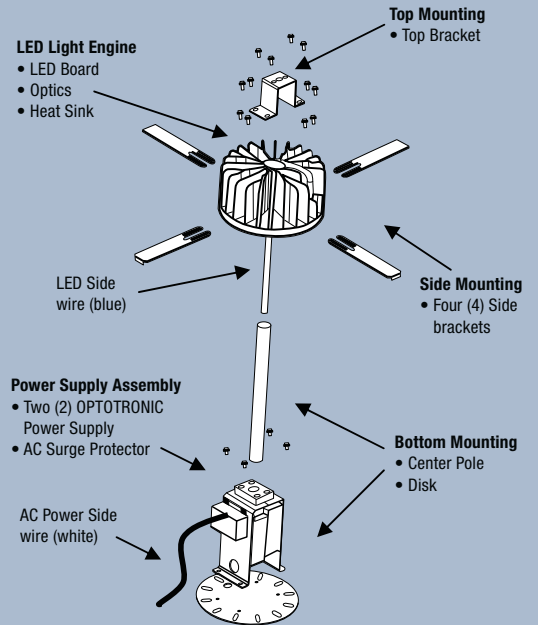
LED Light Engine



Power Supply Assembly*

	(A) Width/Diameter	(B) MOL	(C) Length
LED Light Engine	6.8"	3.7"	—
Power Supply Assembly	4.2"	6.1"	2.8"

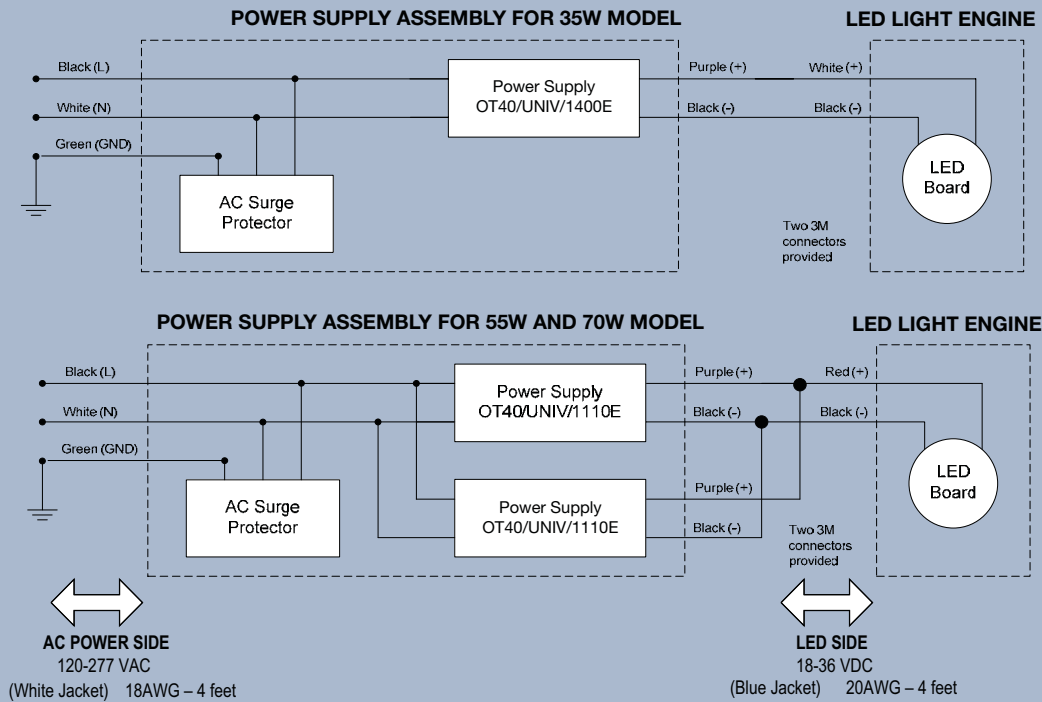
* Power supply assemblies in images above are for 55W and 70W model. Assembly for 35W model will contain only one power supply, but retain the same overall bracket dimensions.



Wiring Diagram

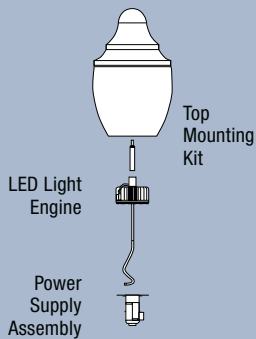
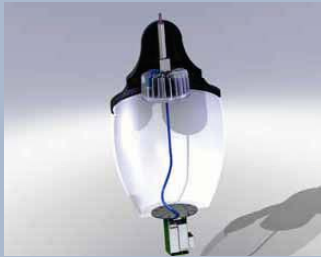
Notes:

1. AC surge protector and OPTOTRONIC® power supplies are pre-wired in Power Supply Assembly.



Assembly Diagram

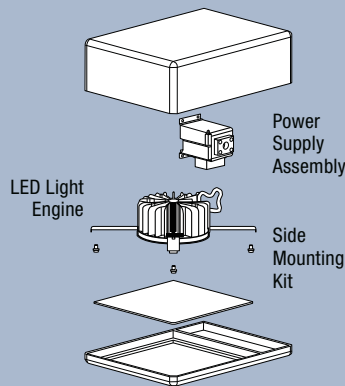
*Refer to Installation Manual for mounting instructions



Top Mounting

Recommended fixtures:

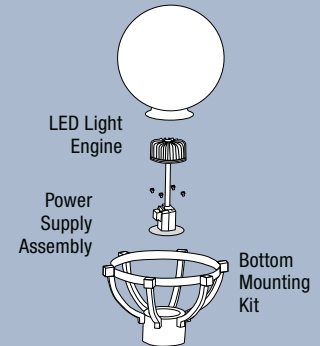
- Canopy light
- Cobra head
- High/Low bay
- Parking garage
- Pendant
- Post Top
- Shoebox
- Wall pack



Side Mounting

Recommended fixtures:

- Canopy light
- Cobra head
- High/Low bay
- Parking garage
- Pendant
- Post Top
- Shoebox
- Wall pack



Bottom Mounting

Recommended fixtures:

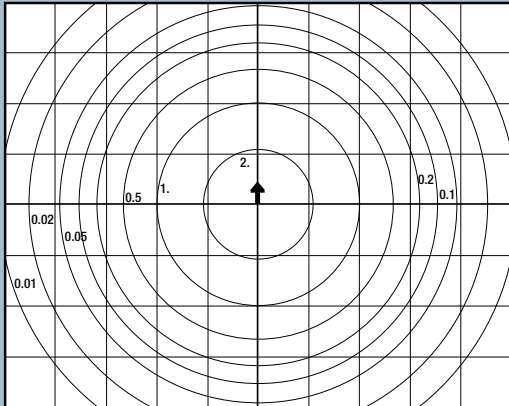
- Post Top

Photometric Distribution

LED55RETROFIT/750/T5M/D6:

Illuminance Diagram

(Without a fixture)



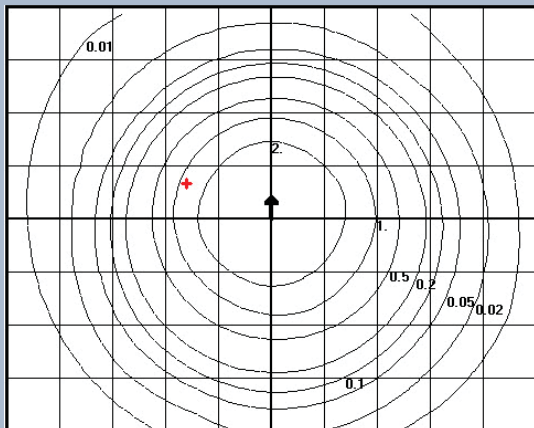
Illuminance in footcandles

Mounting Height = 10'
Each box is one mounting height.
Type V Medium, 5000K CCT
(Distribution might change when
fixture globe is present)

LED55RETROFIT/757/T5S/D6:

Illuminance Diagram

(Without a fixture)

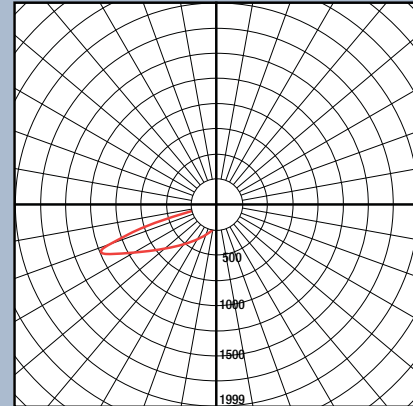


Illuminance in footcandles

Mounting Height = 10'
Each box is one mounting height.
Type V Short, 5700K CCT
(Distribution might change when
fixture globe is present)

Luminous Intensity Distribution

(Without a fixture)

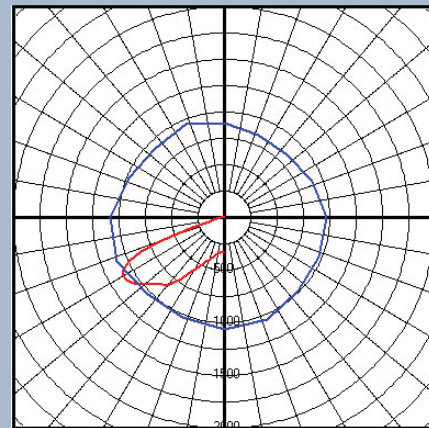


Intensity in candelas

Max. plane at H = 0 Max. cone at V = 71
Max. candlepower = 1326
Type V Medium, 5000K CCT
(Distribution might change when
fixture globe is present)

Luminous Intensity Distribution

(Without a fixture)



Intensity in candelas

Max. plane at H = 292.5 Max. cone at V = 60
Max. candlepower = 1102
Type V Short, 5700K CCT
(Distribution might change when
fixture globe is present)

SYLVANIA

lighting facts^{CM}

A Program of the U.S. DOE

Light Output (Lumens)	3800
Watts	55
Lumens per Watt (Efficacy)	69

Color Accuracy Color Rendering Index (CRI)	78
--	-----------

Light Color
Correlated Color Temperature (CCT)

5000 (Daylight)

2700K 3000K 4500K 6500K

Warm White Bright White Daylight

All results are according to IESNA LM-79-2008: Approved Method for the Electrical and Photometric Testing of Solid-State Lighting. The U.S. Department of Energy (DOE) verifies product test data and results.

Visit www.lightingfacts.com for the **Label Reference Guide**.

Registration Number: 5BZT-Q2V1EC
Model Number: LED55RETROFIT/750/T3MD6
Type: Outdoor area/roadway fixture

SYLVANIA

lighting facts^{CM}

A Program of the U.S. DOE

Light Output (Lumens)	2600
Watts	35
Lumens per Watt (Efficacy)	74

Color Accuracy Color Rendering Index (CRI)	76
--	-----------

Light Color
Correlated Color Temperature (CCT)

5000 (Daylight)

2700K 3000K 4500K 6500K

Warm White Bright White Daylight

All results are according to IESNA LM-79-2008: Approved Method for the Electrical and Photometric Testing of Solid-State Lighting. The U.S. Department of Energy (DOE) verifies product test data and results.

Visit www.lightingfacts.com for the **Label Reference Guide**.

Registration Number: 5BZT-PY7FGZ
Model Number: LED35RETROFIT/750/T5MD6
Type: Outdoor area/roadway fixture

Warranty

Refer to OSI Post-Top LED Retrofit Kit Statement of Limited Warranty.

Visit SYLVANIA.com for recent case studies on energy and environmental savings on this product.

United States
OSRAM SYLVANIA
100 Endicott Street
Danvers, MA 01923
1-800-LIGHTBULB

Trade
Phone: 800-255-5042
Fax: 800-255-5043

National Accounts
Phone: 800-562-4671
Fax: 800-562-4674

OEM/Special Markets
Phone: 800-762-7191
Fax: 800-762-7192

Retail
Phone: 800-842-7010
Fax: 800-842-7011

SYLVANIA Lighting Services
Phone: 800-323-0572
Fax: 800-537-0784

Display/Optic
Phone: 888-677-2627
Fax: 855-543-1043

Canada
OSRAM SYLVANIA LTD.
2001 Drew Road
Mississauga, ON L5S 1S4
1-800-LIGHTBULB

Trade
Phone: 800-263-2852
Fax: 800-667-6772

OEM/Special Markets/Display/Optic
Phone: 800-265-2852
Fax: 800-667-6772

Retail
Phone: 800-720-2852
Fax: 800-667-6772

SYLVANIA Lighting Services
Phone: 800-663-4268
Fax: 866-239-1278

Mexico
OSRAM MEXICO
Tultitlan/Edo de Mexico
Phone: 011-52-55-58-99-18-50

ENCELIUM® Products
United States
Phone: 201-508-1570
Fax: 201-508-1589

Canada
Phone: 905-731-7678
Fax: 905-731-1401

www.sylvania.com

/sylvania

/sylvania

OSRAM is a registered trademark of OSRAM GmbH.
SEE THE WORLD IN A NEW LIGHT is a trademark of OSRAM SYLVANIA Inc.
OPTOTRONIC and Global Care are registered trademarks of OSRAM GmbH.
The DesignLights Consortium mark is a registered trademark of DesignLights Consortium.
All other trademarks are those of their respective owners.
Specifications subject to change without notice.