



## CT8 TLED

**LINEAR LED RETROFIT LAMP**  
For T8 fluorescent lamp replacement

The Energy Focus CT8 TLED is a Type-B ballast bypass LED tube with performance that meets DLC 5.1 standards. CT8's circuitry design limits current input and directly connects to the main power source, and no longer requires a ballast for normal operation. This configuration results in lower points of failure and the removal of unnecessary hardware, eliminating maintenance and compatibility issues. The CCT switch offers five color temperature selections all within one lamp.

### FEATURES AND BENEFITS

- Five CCT switchable design
- Designed for easy single-ended or double-ended ballast-free installation
- DLC 5.1 rated
- NSF rated shatterproof design
- Lumen packages that meet all retrofit requirements
- Reduces energy consumption up to 60%



### PRODUCT SPECIFICATIONS

Length	2', 3' and 4' versions
Body	Glass with PET coating
Lens	Frosted
Connection	Medium bi-pin (G13) end cap
Input Voltage	100-277vac, 50/60hz
Driver	Single end power or double end power; integrated LED driver
Available colors	5 CCT Switchable (2700K, 3000K, 3500K, 4000K, 5000K)
CRI	Ra83
Dimming	Dimmable (0-10V dimming system available)
Lifetime	≥ 50,000 hours
Warranty	5 Years
Environmental Requirements	<b>Operating temp:</b> -20° to 50°C <b>Storage temp:</b> -20° to 85°C <b>Relative humidity:</b> 45% to 85% <b>Non-corrosive environments</b>
Power Factor	>0.9
Beam Angle	200°



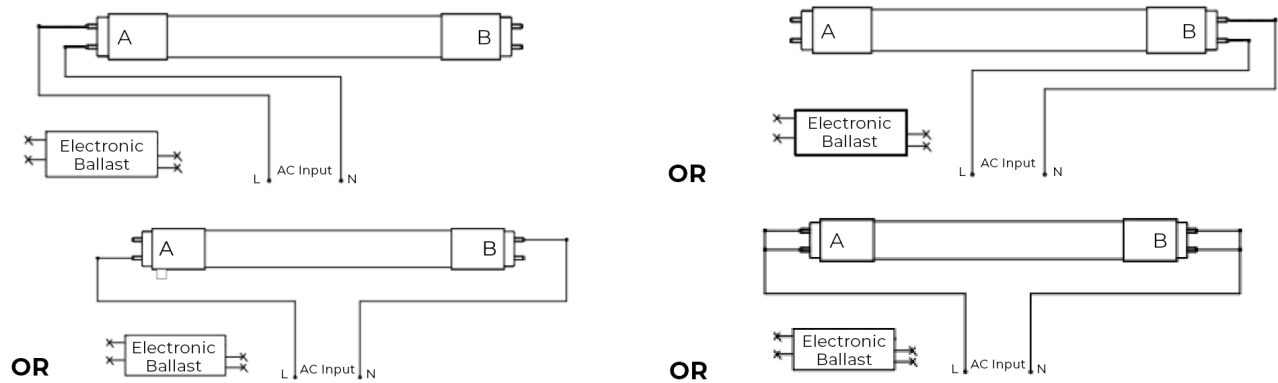
## PRODUCT SPECIFICATION

PART NUMBER	SIZE	NOMINAL POWER	LUMINOUS FLUX
LEDFLT8-8CS-208-GL-BB	(24") 2'	8W	1000lm
LEDFLT8-8CS-312-GL-BB	(36") 3'	12W	1500lm
LEDFLT8-8CS-412-GL-BB	(48") 4'	12W	1800lm
LEDFLT8-8CS-415-GL-BB	(48") 4'	15W	2250lm
LEDFLT8-8CS-418-GL-BB *	(48") 4'	18W	3000lm

\* Special order - call to inquire

## WIRING DIAGRAM

### CASE 1: DIRECT AC WIRING DIAGRAM WITHOUT DIMMING



### CASE 2: DIRECT AC WIRING DIAGRAM WITH 0-10V DIMMING SYSTEM

