



23105 Kashiwa Court, Torrance, CA 90505  
Phone: (800) 579-4875 or (310) 534-1505 Fax: (310) 534-1424  
E-mail: info@ledtronics.com  
Website: http://www.ledtronics.com

# LEDG24QU-8W-XHW-001AW

LED Light Bulb; CFL Style; 4 Pin G24Q Base  
85~277Vac; Halogen White (2600K)  
Angle of illumination: 100° x 105°



DWG BY:  
UGC / GP / HF  
04-08-13

R&D:  
UF  
04-11-22

MFG:  
LD  
04-11-22

QA:  
SB  
04-11-22

REVISION LTR: D  
ECR#: 040822-UF01  
04-11-22

### ○ Features

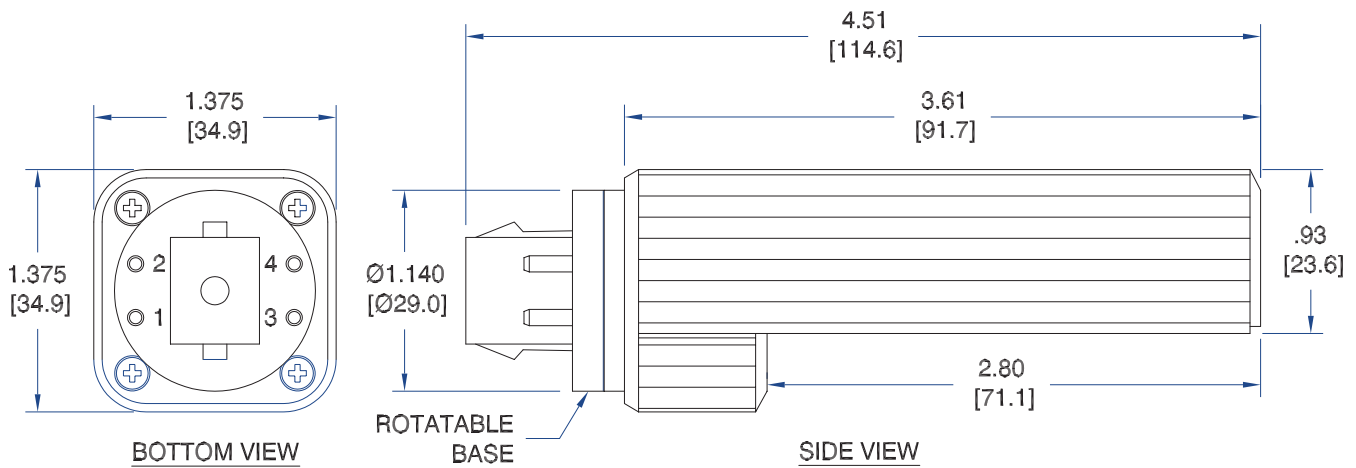
|                           |                            |
|---------------------------|----------------------------|
| Operating Temperature     | -40°C to +50°C             |
| Heatsink Temperature      | 60°C                       |
| Heatsink Material / Color | Extruded Aluminum / Silver |
| Base Material / Color     | Polycarbonate / White      |
| Lens Material / Color     | Polycarbonate / Clear      |
| LED LM80 Report           | -                          |
| LM79 Report               | -                          |
| LED Type / Qty.           | SMD2835 / 40 pcs.          |
| Dimmable                  | No                         |
| Lifespan                  | 50,000 hrs.                |
| Warranty                  | 3 Years                    |
| Weight                    | 0.18 lbs. / 3 oz.          |



### ○ Electro-Optical Characteristics

| Part Number           | LEDG24QU-8W-XHW-001AW |
|-----------------------|-----------------------|
| Input Voltage (typ)   | 85~277Vac             |
| Tested @ (Voltage)    | 120Vac                |
| Power Consumption     | 6.7 W                 |
| Current Consumption   | 0.056 A               |
| Efficacy: (Lm/W)      | 92                    |
| Lumens                | 613 lm                |
| Maximum Candela       | 258 cd                |
| Power Factor          | 0.99                  |
| CRI (Ra)              | >80                   |
| CCT                   | 2400K~2600K           |
| Color                 | Halogen White         |
| Angle of illumination | 100° x 105°           |

○ Dimensions



INPUT MAYBE APPLIED  
TO THE FOLLOWING  
COMBINATION OF PINS  
1-3  
1-4  
2-3  
2-4

**Tolerance:**  
XXX +/- .010  
XX +/- .025

**Notes:**

1. All Dimensions are in Inches [Millimeters].
2. If the previous non-LED lamp used a ballast or starter, they should be removed or bypassed.

**Caution: Intended only for installation where the lamp is oriented horizontally, with light beaming downward.**