

# ULTRA LED™ 4" and 6" MICRODISK™

## Surface Mount Downlight Kit



The SYLVANIA ULTRA LED MICRODISK is a slim profile LED downlight kit with remote driver that operates on 120-277V universal input voltage. The 1" thin design allows for installation directly under joists in new and remodel construction. The high performing MICRODISK's IC design allows for installation without a housing.

### Dimming

The SYLVANIA ULTRA LED MICRODISK is dimmable to 20% with low voltage 0-10V dimmers.

### Key Features & Benefits

- Lumen package:
  - 700 lumens @ 8 watts
  - 1100 lumens @ 13 watts
- Low profile design for installation in shallow spaces
- Replacement for up to 100W incandescent lamps
- For installation into 4" and 6" ceiling cut-outs
- 6" MICRODISK can be used in 8" applications with the trim extender accessory
- CCT: 3000K, 4000K and 5000K
- Dimmable down to 20%\*
- 50,000 hours life (L<sub>70</sub>)
- Suitable for dry, damp and wet locations
- Reduces energy consumption up to 87%
- Lasts up to 25 times longer than incandescent lamps
- No warm-up time, instant-on with full light output and stable lamp to lamp color
- 5VA fire-rated junction box, eliminates need for recessed can and fire proofing

### Quality of Light

The SYLVANIA ULTRA LED MICRODISK provides good color rendering (80 CRI), and color temperatures of 3000K, 4000K and 5000K. LEDs have virtually no UV or infrared radiation to damage or fade furnishings, art or other objects.

### Optical Design

Optical design efficiently directs light output in an 120° beam angle with low glare.

\*Performance may vary depending on dimmer use in application. Please refer to Dimmer Compatibility List (RETRO-DIM) for a list of compatible dimmers or visit [www.sylvania.com](http://www.sylvania.com).

### Application Information

#### Applications

- Bathrooms/kitchens
- Closets/attics
- Soffits, stairwells, corridors, and any small spaces.

### Product Offering

Lumen Output	Wattage	Color Temperature	CRI
700	8	3000K, 4000K, 5000K	80
1100	13	3000K, 4000K, 5000K	80

### Specifications and Certifications



## Specification Data

Catalog #	Type
Project	
Comments	
Prepared by	

## Specifications

### Energy Data

Minimum Starting Temp: -20°C (-4°F)  
 EMI/RFI: FCC Title 47 CFR, Part 15, Class B  
 Sound Rating: <24dBA  
 Input Voltage: 120V/277V  
 Input Frequency: 60Hz

Power Factor: >0.90  
 THD: <20%  
 Maximum Ambient Operating Temperature  
 (Insulated Ceiling): 40°C (104°F)  
 Maximum Ambient Operating Temperature  
 (Non-Insulated Ceiling): 40°C (104°F)

### Color

Correlated Color Temperature (CCT): 3000K,  
 4000K, 5000K  
 Color Rendering Index (CRI): 80  
 R9: 13  
 Dimming: 0-10V Low voltage dimmable

## Ordering Information

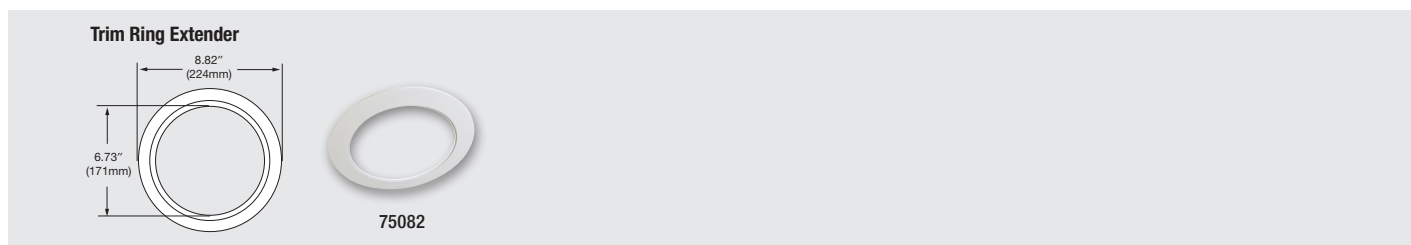
Item Number	Ordering Abbreviation	Input Voltage	Ceiling Cut-out	Incandescent Wattage	Replaced Nominal Wattage	Delivered Light Output (lm)	Color Temperature	CRI	Avg. Rated Life (hrs.)*	Dimmable
75030	LED/MD4/700/830/UNV	120/277V	4"	65W	8W	700	3000K	80	50,000	YES
71196	LED/MD4/700/840/UNV	120/277V	4"	65W	8W	700	4000K	80	50,000	YES
75031	LED/MD4/700/850/UNV	120/277V	4"	65W	8W	700	5000K	80	50,000	YES
75032	LED/MD6/1100/830/UNV	120/277V	6"	100W	13W	1100	3000K	80	50,000	YES
71197	LED/MD6/1100/840/UNV	120/277V	6"	100W	13W	1100	4000K	80	50,000	YES
75033	LED/MD6/1100/850/UNV	120/277V	6"	100W	13W	1100	5000K	80	50,000	YES

\*LED lamp life is defined as the number of hours when 50% of an average group of identical lamps reached 70% of initial lumens..  
 Beam angle = 120°

## Accessories

### Trim Rings

Item Number	Finish	Description
74992	Dark Bronze 4" Trim Ring	LED/MD4TRIMDKBZ
74993	Black 4" Trim Ring	LED/MD4TRIMBLK
74994	Oil Rubbed Bronze 4" Trim Ring	LED/MD4TRIMORBZ
74995	Satin 4" Trim Ring	LED/MD4TRIMSN
74996	Dark Bronze 6" Trim Ring	LED/MD6TRIMDKBZ
74997	Black 6" Trim Ring	LED/MD6TRIMBLK
74998	Oil Rubbed Bronze 6" Trim Ring	LED/MD6TRIMORBZ
74999	Satin 6" Trim Ring	LED/MD6TRIMSN
75082	Trim Ring Extender	RT6/8/TRIMEXT



## Ordering Guide

LED	/	MD	X	/	XXXX	/	8	XX	/	UNV
LED		Product Name MICRODISK	Size 4", 6"		Light Output 700, 1100		CRI = 80	Color Temperature 30 = 3000K 40 = 4000K 50 = 5000K		Universal Voltage 120-277V

## Energy Savings

Basic Product Description	LED Lumens	LED Life	Traditional Lamp Types	Lumens	Life	Watts Saved With MD	MD Energy Savings*	MD Life Benefit
MICRODISK	700	50,000	Incandescent 100BR40	935	2000	57	\$313	25x
MICRODISK	1100	50,000	120W Incandescent	1150	2000	107	\$588	25x

\*Based on \$0.11/kWh over 35,000 hours life.

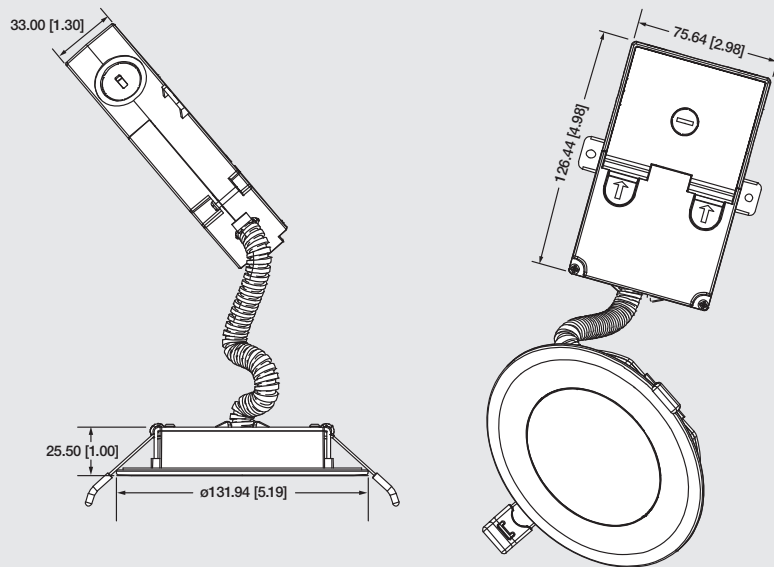
## Application Information

### Application Notes

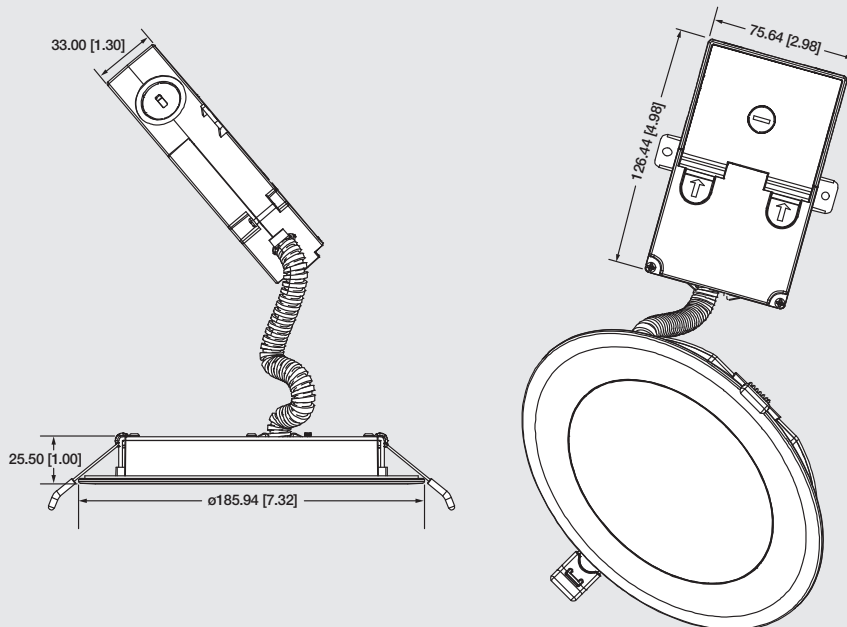
1. Operating temperature range between -4°F and +104°F (-20°C and +40°C).
2. Complies with cULus Wet location listed, ceiling only (shower rated), and Damp location listed ceiling and wall.
3. See [www.sylvania.com](http://www.sylvania.com) for detailed dimmer compatability list.
4. Not intended for use with emergency light fixtures or exit lights.
5. For detailed warranty information, please see [www.sylvania.com/Warranty](http://www.sylvania.com/Warranty).
6. Compatible with IOTA inverter series (model IIS-25, IIS-35, IIS-50, IIS-125, IIS-375 and IIS-550), and Philips Bodine model ELI-S-20, ELI-S-100 and ELI-S-250.

## Assembly Diagram

### 4 inch MICRODISK



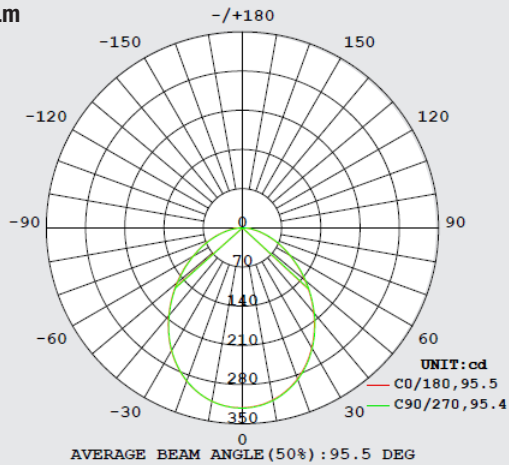
### 6 inch MICRODISK



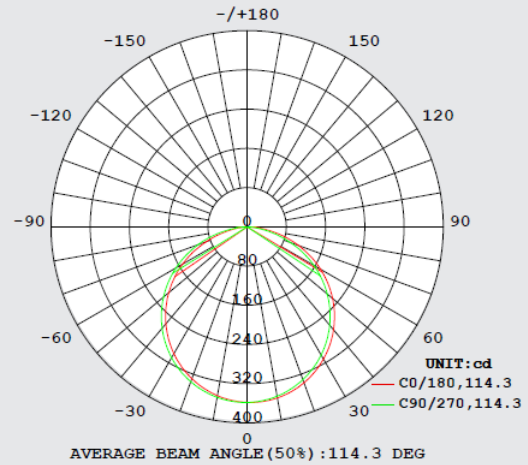
## Photometric Information

### Polar Charts

#### 700 Lm



#### 1100 Lm



### Zonal Lumen Distribution

#### 700 Lm

Zone	Lumens	% Retrofit Kit
0-20	115	15
0-30	240	31
0-40	382	50
0-60	628	82
0-80	747	98
0-90	758	100
10-90	728	96
20-40	266	35
20-50	401	52
40-70	323	42
60-80	118	15
70-80	41	5
80-90	11	1
0-180	758	100

#### 1100 Lm

Zone	Lumens	% Retrofit Kit
0-20	131	12
0-30	278	26
0-40	458	44
0-60	816	78
0-80	1019	98
0-90	1037	100
10-90	1003	96
20-40	327	31
20-50	514	49
40-70	488	47
60-80	203	19
70-80	72	7
80-90	17	1
0-180	1037	100

### Illuminance at a Distance

700 Lm			
Distance to Illuminated Plane (Feet)	Footcandles Beam Center	Footcandles Beam Edge	Beam Diameter
2	80.5	12.2	4.4
4	20.1	3.1	8.8
6	8.9	1.4	13.2
8	5.0	0.8	17.6
10	3.2	0.5	22.0
12	2.2	0.3	26.4
1100 Lm			
Distance to Illuminated Plane (Feet)	Footcandles Beam Center	Footcandles Beam Edge	Beam Diameter
2	89.5	7.1	6.2
4	22.4	1.8	12.4
6	9.9	0.8	18.6
8	5.6	0.4	24.8
10	3.6	0.3	31.0
12	2.5	0.2	37.2

### Spacing to Mounting Height Ratio

700 Lm	
Spacing Criterion (0-180)	1.16
Spacing Criterion (90-270)	1.18
Spacing Criterion (Diagonal)	1.26
1100 Lm	
Spacing Criterion (0-180)	1.26
Spacing Criterion (90-270)	1.26
Spacing Criterion (Diagonal)	1.40

LEDVANCE LLC

200 Ballardvale Street

Wilmington, MA 01887 USA

Phone 1-800-LIGHTBULB (1-800-544-4828)

www.sylvania.com

SYLVANIA and LEDVANCE are registered trademarks.  
 All other trademarks are those of their respective owners.  
 Licensee of product trademark SYLVANIA in general lighting.  
 Specifications subject to change without notice.

