



LEDVANCE Luminaires

FLAME RESISTANT SELECTABLE SLIM MICRODISK

PERFORMANCE CLASS™

Application

The LEDVANCE PERFORMANCE CLASS Selectable Slim MICRODISK is a slim profile LED downlight kit with remote driver that operates at either 120Vac or 120-277Vac. The 1/2" height allows for installation directly under joists in new and remodel construction. This product family is rated for fire-proof applications, capable of withstanding flames of 1100°C for up to 2 hours, making it ideal for multi-family housing and shipbuilding applications.

Benefits and Features

- High CRI ensures compliance with Title 24 in California and exceeds even ENERGY STAR® standards
- Tested to UL263 standards for flame resistance
- IC Rated for contact with ceiling insulation
- All necessary quick connectors are included with each SKU
- Up to 86 LPW
- 2700K, 3000K, 3500K, 4000K, or 5000K color temperature selectable via the switch located on the driver
- CRI >90
- Offered in 6.5W, 10W, 14W, or 19W versions
- Energy savings up to 92%

Electrical

- Offered in 120V or 120-277V (see ordering guide for further details)
- Power Factor >0.9
- THD <20%
- Offered in Phase-Cut dimming and 0-10V dimming models (see ordering guide for further details)

Rated Life

- 50,000 hours (L₇₀)

Warranty

- 5-year
- NLB Trusted Warranty Program

Operating Temperature

- -4°F to +104°F (-20°C to +40°C)



Wattage Comparison

Traditional Source	LED System Wattage	Energy Savings
100W BR40	8W	92%
120W Incandescent	13W	90%
23W CFL	16W	30%
32W CFL	20W	63%
40W CFL	27W	48%

Certifications and Listings

- cETLus
- RoHS
- FCC
- ENERGY STAR®
- Air Tight certified in accordance with ASTM E283-2004
- Title 24 Compliant
- TAA
- Suitable for wet locations
- FT6 listed cable
- Suitable for use in closets, compliant with NFPA 70, NEC section 410.16 (A)(3) and 410.16 (C)(5)

Installation

- For installation into 3", 4", 6", and 8" ceiling cut-outs
- Universal Metal Frame sold separately as accessory for new construction: fits all sizes in Slim MICRODISK portfolio
- Quick connectors are included in the box with purchase of each SKU



Catalog #	Type
Project	
Comments	
Prepared by	

Ordering Guide

LEDMD	XR	3B	XXXX	XXX	X	9	SC3	WH
Product Name	Dimensions	Generation	Lumens	Voltage	Dimming	CRI	CCT	Color/Finish
LEDMD = LED	3R = 3" Round	3B = Generation 3B	500 = 500 Lumens	S = 120V	T = Triac Dimming	CRI = > 90	SC3 = 2700, 3000, 3500,	WH = White
Slim Microdisk	4R = 4" Round		800 = 800 Lumens	UNV = 120-277V	D = 0-10V Dimming		4000, or 5000K	
	6R = 6" Round		1200 = 1200 Lumens					
	8R = 8" Round		1600 = 1600 Lumens					

Ordering Information

Item Number	Ordering Abbreviation	Wattage (W)	Total Fixture Lumens (lm)	LPW	Input Voltage (V)	Dimming	CRI	Color Temperature (CCT)	IC Rated	MTO*
63425	LEDMD3R3B500ST9SC3WH	6.5	500	77	120V	Phase-Cut	92	2700, 3000, 3500, 4000 or 5000K	Yes	-
63426	LEDMD4R3B800ST9SC3WH	10	800	80	120V	Phase-Cut	92	2700, 3000, 3500, 4000 or 5000K	Yes	-
63427	LEDMD6R3B1200ST9SC3WH	14	1200	86	120V	Phase-Cut	92	2700, 3000, 3500, 4000 or 5000K	Yes	-
63428	LEDMD8R3B1600ST9SC3WH	19	1600	84	120V	Phase-Cut	92	2700, 3000, 3500, 4000 or 5000K	Yes	-
63594	LEDMD4R3B800UNVD9SC3WH	10	800	80	120-277V	0-10V	92	2700, 3000, 3500, 4000 or 5000K	Yes	MTO
63595	LEDMD6R3B1200UNVD9SC3WH	14	1200	86	120-277V	0-10V	92	2700, 3000, 3500, 4000 or 5000K	Yes	MTO
63596	LEDMD8R3B1600UNVD9SC3WH	19	1600	84	120-277V	0-10V	92	2700, 3000, 3500, 4000 or 5000K	Yes	MTO

*Made to Order

Compatible Phase-Cut Dimmers

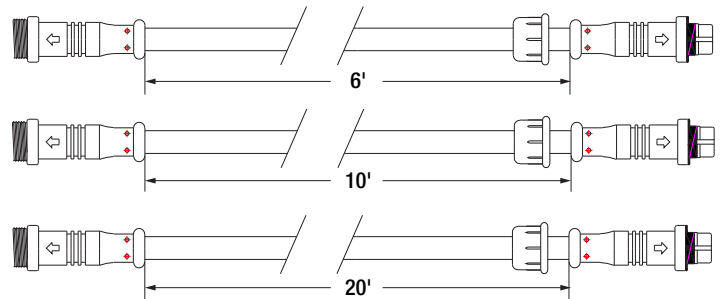
Make	Leading or Trailing Edge	Model
Leviton SureSlide	L	6674
Lutron Maestro C-L	L	MACL-153M
Lutron Diva	L	DVCL-153P
Lutron Caseta	L	PD-6WCL
Legrand Radiant	L	RHCL453P
Lutron Diva	T	DVELV-300P
Lutron Maestro	T	MAELV-600

Compatible 0-10V Dimmers

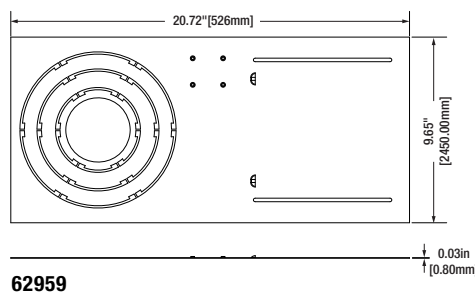
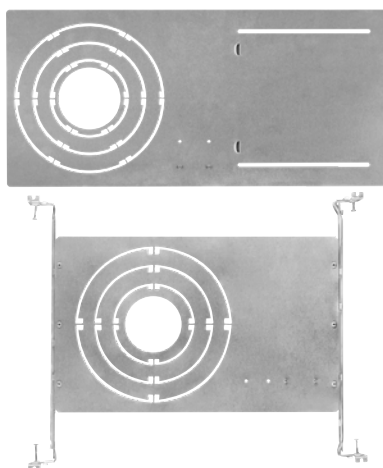
Make	Type	Model
Leviton	0-10V	DS710
Leviton	0-10V	IP710
Lutron	0-10V	NTSTV-DV
Lutron	0-10V	DVSTV
Lutron	0-10V	DVTV-WH
Legrand	0-10V	H4FBL3PW

Accessories

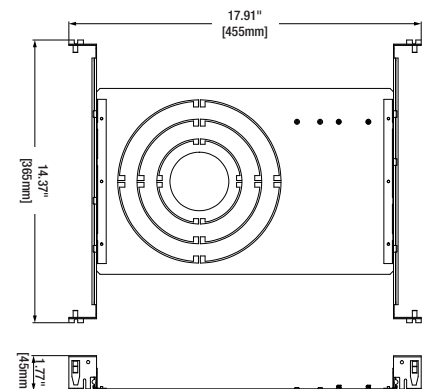
Item Number	Ordering Abbreviation	Length	Width
60793	LEDMD6FTEXCBL	6ft	-
60794	LEDMD10FTEXCBL	10ft	-
60795	LEDMD20FTEXCBL	20ft	-
62959	LEDSLIMMDFRAME	20.72in (526mm)	9.65in (2450mm)
63743	MDFRAME1A	17.72in (450mm)	14.65in (372mm)



Metal Frame



62959



63743

Accessories (continued)

Item Number	Ordering Abbreviation	Item Description
RT5/6 Rough In Frame		
71708	LED/RT6HO/FRAME	6" recessed rough-in frame
RT8 Rough In Frame		
71709	LED/RT8/FRAME	8" recessed rough-in frame

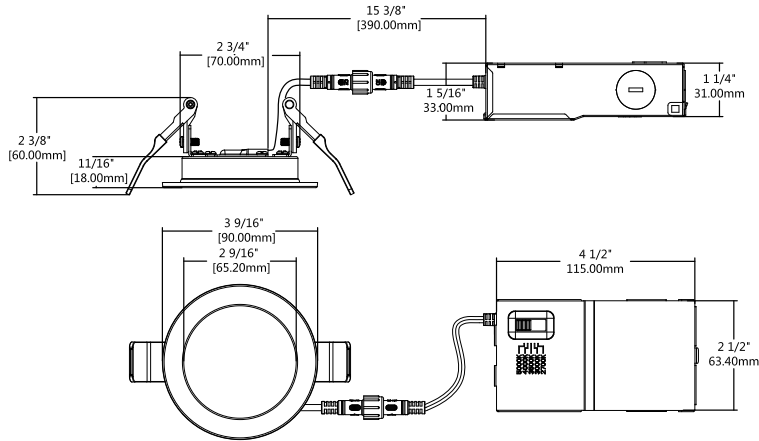
Rough In Frames



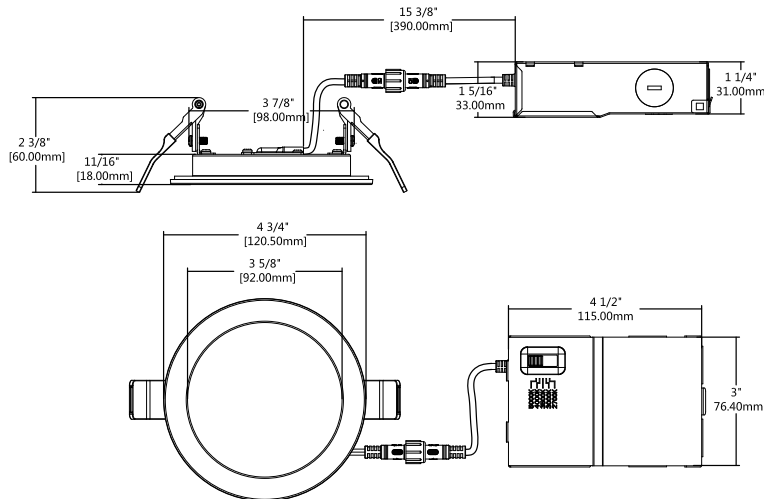
Physical Information

Product Description	(A) Height (in)	(B) Diameter (in)
3" Round	2 3/8	3 9/16
4" Round	2 3/8	4 3/4
6" Round	2 3/8	6 13/16
8" Round	2 3/8	8 7/8

3" Round

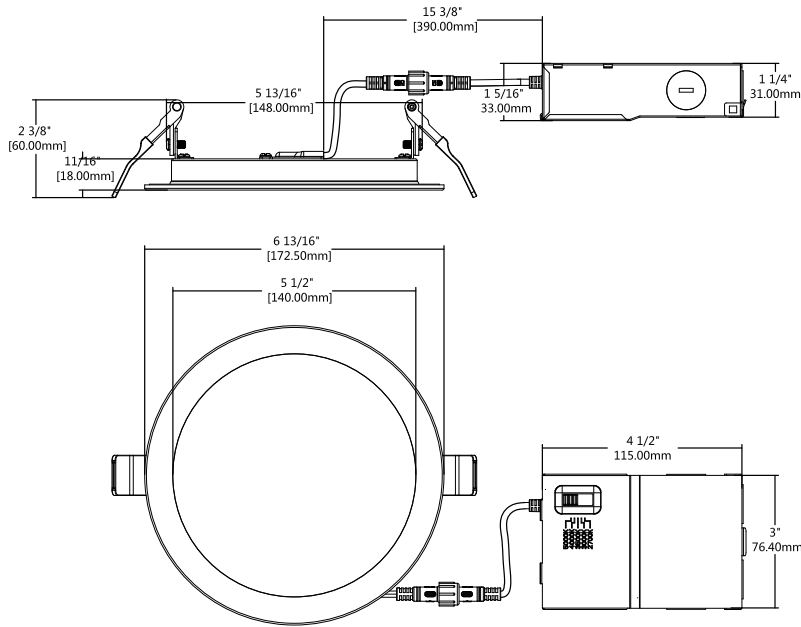


4" Round

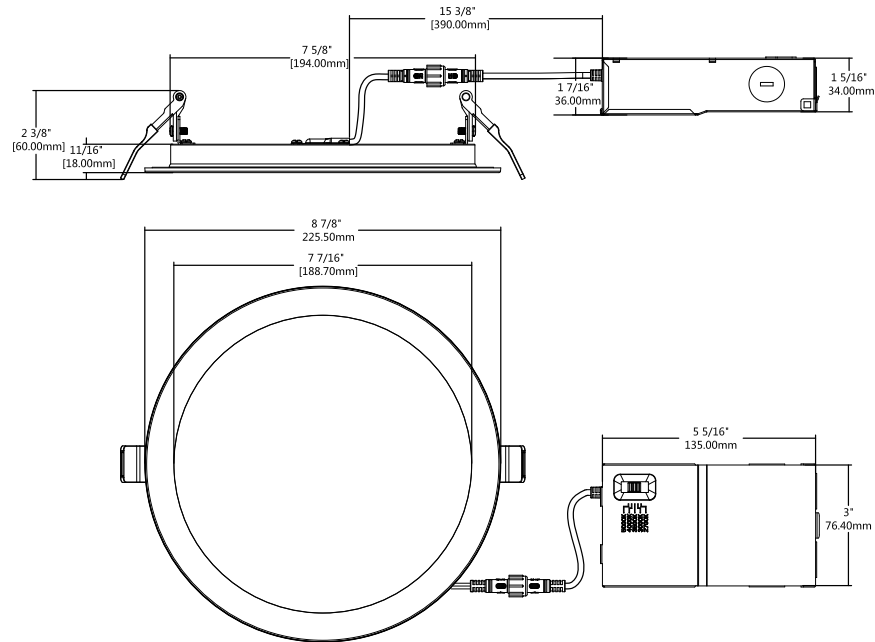


Physical Information (continued)

6" Round



8" Round



Hole Cut Dimensions

Item Number	Description	Dimensions (in)	Dimensions (mm)
63425	LEDMD3R3B500ST9SC3WH	2.8	71
63426	LEDMD4R3B800ST9SC3WH	3.9	99
63427	LEDMD6R3B1200ST9SC3WH	5.87	149
63428	LEDMD8R3B1600ST9SC3WH	7.68	195

Additional Specifications

- Suitable for indoor and outdoor, dry and wet locations.
- Not intended for use with emergency light fixtures or exit lights.
- Suitable for use in closets, compliant with NFPA 70, NEC section 410.16 (A)(3) and 410.16 (C)(5).
- For use in housings that can structurally support a lamp weighing one pound.

LEDVANCE LLC
181 Ballardvale Street, Suite 203
Wilmington, MA 01887 USA
Phone 1-800-LIGHTBULB (1-800-544-4828)
www.ledvanceUS.com

LEDVANCE is a registered trademark. All other trademarks are those of their respective owners. Specifications subject to change without notice.



SCAN TO FOLLOW US
ON SOCIAL MEDIA

