



# LED Universal Retrofit Kit, Dimmable

100~277VAC – 45 to 480 Watts, Replaces MH/HPS 100W to 1000W – 120° Beam – Yoke Mounting



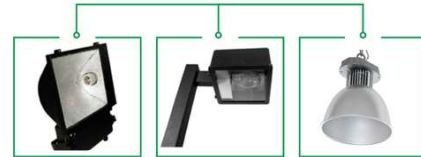
## FEATURES

- 5 Year LEDtronics Warranty
- Energy Savings of up to 70% over HID Lamps
- Lumen Maintenance over 70% @ 50,000+ Hours
- Wide-Angle Light Distribution
- Dimmable 10-100%: 0-10VDC, 0-100KΩ Potentiometer, or 10V PWM
- UL/cUL or ETL Classified or DLC QPL Listed
- UL/cUL Approved Mean Well Driver
- High Lumen, High Efficacy, No Glare
- Solid State: Shock & Vibration Resistant
- No UV/IR Radiation, Meets FCC Part 15, No Heat
- No Toxic Metals, RoHS Compliant
- LM79 & LM80 Reports on File



## APPLICATIONS

- Replaces Existing HID Lamps without Changing Most Fixtures
- High Bay Lighting: Factories, Warehouses, Indoor Arenas, Convention Centers
- Shoeboxes: Parking Lots, Depots
- Roadways & Streetlights, Parks
- Area Floodlights, Security Lighting
- Canopy Lights, Wall Washing
- Driveway & Walkway Lighting



Over 35 Years of LEDtronics Design, Engineering & Manufacturing Experience

Adjustable Yoke Conforms to Different Types of Fixtures



A retrofit LED lamp and driver installed inside a high-bay fixture

The Housing's Weatherproof Quality Determines IP Rating

For Fixtures with Adequate Ventilation with Ambient Temperature Not Exceeding the Kit's Maximum

## OPTIONAL DEAD-SOCKET MOUNT

Uses disconnected "dead" socket of HID fixture to mount LEDtronics lamp. Fastens to center hole of adjustable lamp yoke with stainless-steel M10x1.5 bolt, serrated-flange locknut. Voltage is never a factor. P/N: LEDRK0-E39-001.

For the smallest retrofit kit LEDRK00DL Series, an E26 screw-in base for dead E26 sockets is available: P/N: LEDRK0-E26-001.



## LED RETROFIT KIT CONTENTS

- LED Light Source
- UL-Recognized External Driver(s)
- Adjustable Yoke
- Wire Nuts

## AVAILABLE OPTIONS

- Other White Color Temperatures
- Other Voltages & Wattages
- E26 or E39 Dead-Socket Base Mounting

# LEDTRONICS

America's Premium Brand LED Company™



© 2022 LEDtronics, Inc.



23105 Kashiwa Court, Torrance, CA 90505  
 Phone: (800) 579.4875 / (310) 534.1505  
 Fax: (310) 534.1424  
 E-mail: info@ledtronics.com  
 Website: ledtronics.com

To order LEDtronics products, contact the Distributor or Sales Representative in your area.

Visit our website to find your local Distributor or Representative from our worldwide network:

**LEDtronics.com**

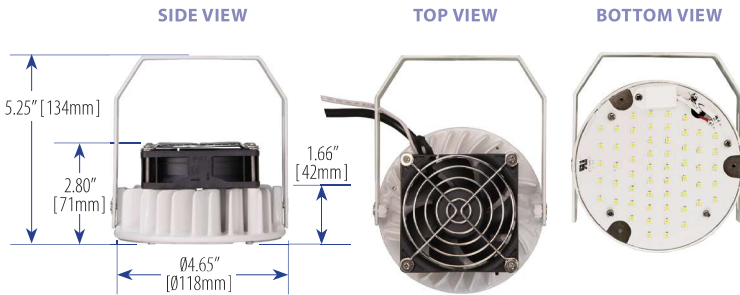
# LED Universal Retrofit Kit, 120° Beam, Dimmable, Yoke Mount – 45 & 60 Watts

Uses 45 Watts, Replaces MH/HPS up to 150W



**LEDRK00DL-045W-XWW-101WD** (Natural White)  
**LEDRK00DL-045W-XDW-101WD** (Daylight White)  
**LEDRK00DL-045W-XCW-101WD** (Pure White)

	XWW	XDW	XCW
<b>Color Temperature</b>	4100K	5000K	5700K
<b>Input Power</b>	41 Watts	41 Watts	41 Watts
<b>Input Voltage</b>	100~277VAC (Tested @ 120VAC)		
<b>Input Current</b>	0.34A	0.34A	0.34A
<b>Power Factor</b>	0.915	0.915	0.915
<b>Total Lumens</b>	4469 lm	4469 lm	4647 lm
<b>Max. Candela</b>	1583 cd	1583 cd	1310 cd
<b>Efficiency</b>	108 lm/W	108 lm/W	113 lm/W
<b>CRI</b>	67	67	73
<b>Illumination Angle</b>	120° x 120°		
<b>Oper. Temperature</b>	22°F ~+122°F / -30°C ~+50°C		
<b>Heatsink</b>	Aluminum Alloy / White		
<b>Yoke</b>	Steel / White		
<b>Net Weight</b>	2.56 lbs / 1.16 Kg		
<b>DLC Product ID</b>	PRGWSUYF	PM4PRM7Z	PZEFH6AT



E358356

Uses 60 Watts, Replaces MH/HPS up to 200W

**LEDRK00DL-060W-XWW-101WD** (Natural White)  
**LEDRK00DL-060W-XDW-101WD** (Daylight White)  
**LEDRK00DL-060W-XCW-101WD** (Pure White)

	XWW	XDW	XCW
<b>Color Temperature</b>	4100K	5000K	5700K
<b>Input Power</b>	63 Watts	63 Watts	61 Watts
<b>Input Voltage</b>	100~277VAC (Tested @ 120VAC)		
<b>Input Current</b>	0.52A	0.52A	0.50A
<b>Power Factor</b>	0.920	0.920	0.905
<b>Total Lumens</b>	6521 lm	6521 lm	6835 lm
<b>Max. Candela</b>	2310 cd	2310 cd	1745 cd
<b>Efficiency</b>	104 lm/W	104 lm/W	112 lm/W
<b>CRI</b>	67	67	73
<b>Illumination Angle</b>	120° x 120°		
<b>Oper. Temperature</b>	22°F ~+122°F / -30°C ~+50°C		
<b>Heatsink</b>	Aluminum Alloy / White		
<b>Yoke</b>	Steel / White		
<b>Net Weight</b>	2.56 lbs / 1.16 Kg		
<b>DLC Product ID</b>	PN59CN4S	P7Y3XXGN	P7RNYSJ8

### LED RETROFIT KIT CONTENTS

- LED Light Source
- UL-Recognized Mean Well External Driver
- Adjustable Yoke
- Wire Nuts



### LED RETROFIT KIT CONTENTS

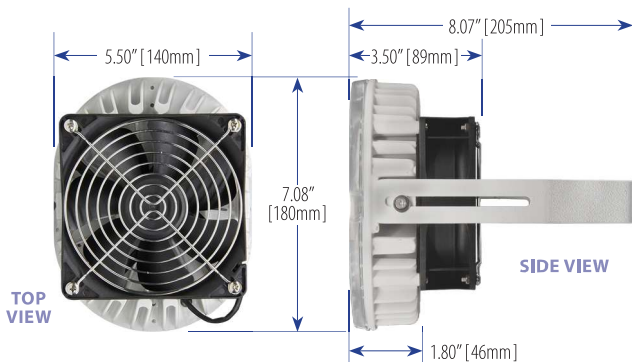
- LED Light Source
- UL-Recognized External Driver
- Adjustable Yoke
- Wire Nuts



Uses 80 Watts, Replaces MH/HPS up to 250W

- LEDRK01DL-080W-XWW-101WD (Natural White)
- LEDRK01DL-080W-XDW-101WD (Daylight White)
- LEDRK01DL-080W-XCW-101WD (Pure White)

	XWW	XDW	XCW
<b>Color Temperature</b>	4100K	5000K	5700K
<b>Input Power</b>	81.45 Watts	81.62 Watts	80.59 Watts
<b>Input Voltage</b>	100~277VAC (Tested @ 120VAC)		
<b>Input Current</b>	0.71A	0.71A	0.71A
<b>Power Factor</b>	0.94	0.93	0.91
<b>Total Lumens</b>	8584.7 lm	8729 lm	9057 lm
<b>Max. Candela</b>	2980 cd	2980 cd	2980 cd
<b>Efficacy</b>	105.4 lm/W	106.95 lm/W	112.38 lm/W
<b>CRI</b>	83	72.6	73.1
<b>Illumination Angle</b>	120° x 120°		
<b>Dimmability</b>	0-10VDC		
<b>Oper. Temperature</b>	22°F ~+122°F / -30°C ~+50°C		
<b>Heatsink</b>	Aluminum Alloy / White		
<b>Yoke</b>	Steel / White		
<b>Net Weight</b>	4.59 lbs / 2.08 Kg		
<b>DLC Product ID</b>	PA4619EV	PKVSFQER	P4C4SH6V



Uses 100 Watts, Replaces MH/HPS up to 320W

- LEDRK01DL-100W-XWW-101WD (Natural White)
- LEDRK01DL-100W-XDW-101WD (Daylight White)
- LEDRK01DL-100W-XCW-101WD (Pure White)

	XWW	XDW	XCW
<b>Color Temperature</b>	4100K	5000K	5700K
<b>Input Power (Watts)</b>	98.06	98.2	98.75
<b>Input Voltage</b>	100~277VAC (Tested @ 120VAC)		
<b>Input Current</b>	0.81A	0.81A	0.81A
<b>Power Factor</b>	0.95	0.93	0.92
<b>Total Lumens</b>	10399 lm	10523 lm	10725 lm
<b>Max. Candela</b>	3758 cd	3758 cd	3758 cd
<b>Efficacy (lm/W)</b>	106.05	107.16	112.38
<b>CRI</b>	83	72.7	76.3
<b>Illumination Angle</b>	120° x 120°		
<b>Dimmability</b>	0-10VDC		
<b>Oper. Temperature</b>	22°F ~+122°F / -30°C ~+50°C		
<b>Heatsink</b>	Aluminum Alloy / White		
<b>Yoke</b>	Steel / White		
<b>Net Weight</b>	5.30 lbs / 2.40 Kg		
<b>DLC Product ID</b>	PGUUPV11	P62Q604I	PJA3G00B

Uses 120 Watts, Replaces MH/HPS up to 400W

- LEDRK01DL-120W-XWW-101WD (Natural White)
- LEDRK01DL-120W-XDW-101WD (Daylight White)
- LEDRK01DL-120W-XCW-101WD (Pure White)

	XWW	XDW	XCW
<b>Color Temperature</b>	4100K	5000K	5700K
<b>Input Power (Watts)</b>	112.8	112.8	122.6
<b>Input Voltage</b>	100~277VAC (Tested @ 120VAC)		
<b>Input Current</b>	1.00A	1.52A	0.99A
<b>Power Factor</b>	0.93	0.93	0.93
<b>Total Lumens</b>	14500 lm	14500 lm	13170 lm
<b>Max. Candela</b>	4688 cd	4688 cd	4688 cd
<b>Efficacy (lm/W)</b>	128.55	128.55	107.42
<b>CRI</b>	68.3	68.3	76.4
<b>Illumination Angle</b>	120° x 120°		
<b>Dimmability</b>	0-10VDC		
<b>Oper. Temperature</b>	22°F ~+122°F / -30°C ~+50°C		
<b>Heatsink</b>	Aluminum Alloy / White		
<b>Yoke</b>	Steel / White		
<b>Net Weight</b>	5.06 lbs / 2.30 Kg		
<b>DLC Product ID</b>	P8A1J6NA	PF7C2VRR	PK8DG049

Uses 150 Watts, Replaces MH/HPS up to 600W

- LEDRK01DL-150W-XWW-101WD (Natural White)
- LEDRK01DL-150W-XDW-101WD (Daylight White)
- LEDRK01DL-150W-XCW-101WD (Pure White)

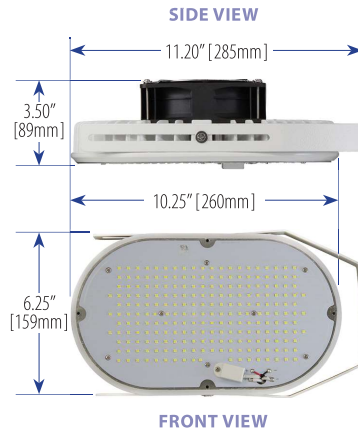
	XWW	XDW	XCW
<b>Color Temperature</b>	4100K	5000K	5700K
<b>Input Power (Watts)</b>	154.2	154.5	155.1
<b>Input Voltage</b>	100~277VAC (Tested @ 120VAC)		
<b>Input Current</b>	1.27A	1.27A	1.32A
<b>Power Factor</b>	0.92	0.92	0.92
<b>Total Lumens</b>	16416 lm	16669 lm	16861 lm
<b>Max. Candela</b>	5937 cd	5937 cd	5937 cd
<b>Efficacy (lm/W)</b>	106.46	107.89	108.71
<b>CRI</b>	83.2	73.1	76.4
<b>Illumination Angle</b>	120° x 120°		
<b>Dimmability</b>	0-10VDC		
<b>Oper. Temperature</b>	22°F ~+122°F / -30°C ~+50°C		
<b>Heatsink</b>	Aluminum Alloy / White		
<b>Yoke</b>	Steel / White		
<b>Net Weight</b>	5.27 lbs / 2.39 Kg		
<b>DLC Product ID</b>	PVHDQ2D	PAY1QCZ6	P3WJ91L

# LED Universal Retrofit Kit, 120° Beam, Dimmable, Yoke Mount, ETL – 185 & 240 Watts

Uses 185 Watts, Replaces 600W+ MH/HPS

**LEDRK02DL-185W-XWW-101WD** (Natural White)  
**LEDRK02DL-185W-XDW-101WD** (Daylight White)  
**LEDRK02DL-185W-XCW-101WD** (Pure White)

	XWW	XDW	XCW
<b>Color Temperature</b>	4100K	5000K	5700K
<b>Input Power (Watts)</b>	191.0	188.1	188.5
<b>Input Voltage</b>	100~277VAC (Tested @ 120VAC)		
<b>Input Current</b>	1.52A	1.52A	1.56A
<b>Power Factor</b>	0.932	0.93	0.93
<b>Total Lumens</b>	19496 lm	19324 lm	19610 lm
<b>Max. Candela</b>	4719 cd	4719 cd	4719 cd
<b>Efficacy (lm/W)</b>	102.07	102.73	104.03
<b>CRI</b>	67.4	67.4	74.3
<b>Illumination Angle</b>	120° x 120°		
<b>Dimmability</b>	0-10VDC		
<b>Oper. Temperature</b>	22°F ~+122°F / -30°C ~+50°C		
<b>Heatsink</b>	Aluminum Alloy / White		
<b>Yoke</b>	Steel / White		
<b>Net Weight</b>	7.44 lbs / 3.38 Kg		
<b>DLC Product ID</b>	PQ5N1Q2M PA2D43MF PA7RP1HU		



Uses 240 Watts, Replaces up to 750W MH/HPS

**LEDRK02DL-240W-XWW-101WD** (Natural White)  
**LEDRK02DL-240W-XDW-101WD** (Daylight White)  
**LEDRK02DL-240W-XCW-101WD** (Pure White)

	XWW	XDW	XCW
<b>Color Temperature</b>	4100K	5000K	5700K
<b>Input Power (Watts)</b>	247	247	237
<b>Input Voltage</b>	100~277VAC (Tested @ 120VAC)		
<b>Input Current</b>	2.05A	2.05A	1.98A
<b>Power Factor</b>	0.94	0.94	0.94
<b>Total Lumens</b>	24906 lm	24906 lm	25701 lm
<b>Max. Candela</b>	8661 cd	8661 cd	8661 cd
<b>Efficacy (lm/W)</b>	101 lm/W	101 lm/W	108 lm/W
<b>CRI</b>	67	67	74
<b>Illumination Angle</b>	120° x 120°		
<b>Dimmability</b>	0-10VDC		
<b>Oper. Temperature</b>	22°F ~+122°F / -30°C ~+50°C		
<b>Heatsink</b>	Aluminum Alloy / White		
<b>Yoke</b>	Steel / White		
<b>Net Weight</b>	7.71 lbs / 3.51 Kg		



# LED Universal Retrofit Kit, Yoke Mount, ETL – 320 & 370 Watts

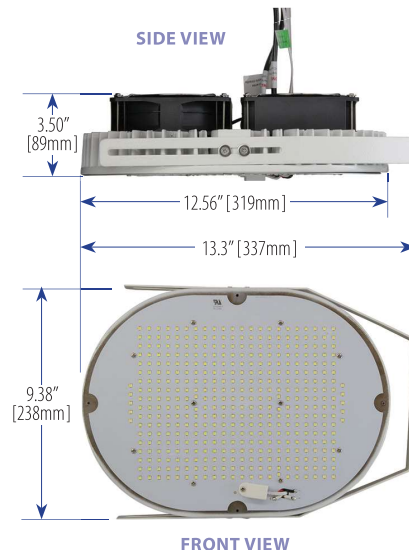
## LED RETROFIT KIT CONTENTS

- LED Light Source
- UL-Recognized External Driver
- Adjustable Yoke
- Wire Nuts

Uses 320 Watts, Replaces up to 1000W MH/HPS

**LEDRK03DL-320W-XWW-101WD** (Natural White)  
**LEDRK03DL-320W-XDW-101WD** (Daylight White)  
**LEDRK03DL-320W-XCW-101WD** (Pure White)

	XWW	XDW	XCW
<b>Color Temperature</b>	4100K	5000K	5700K
<b>Input Power (Watts)</b>	311.3	311.3	308.4
<b>Input Voltage</b>	100~277VAC (Tested @ 120VAC)		
<b>Input Current</b>	2.6A	2.6A	2.6A
<b>Power Factor</b>	0.9182	0.9182	0.9314
<b>Total Lumens</b>	33631 lm	33631 lm	34926 lm
<b>Max. Candela</b>	11933 cd	11933 cd	11933 cd
<b>Efficacy (lm/W)</b>	108.05	108.05	114
<b>CRI</b>	67.3	67.3	74.2
<b>Illumination Angle</b>	120° x 120°		
<b>Dimmability</b>	0-10VDC		
<b>Oper. Temperature</b>	22°F ~+122°F / -30°C ~+50°C		
<b>Heatsink</b>	Aluminum Alloy / White		
<b>Yoke</b>	Steel / White		
<b>Net Weight</b>	12.78 lbs / 5.80 Kg		
<b>DLC Product ID</b>	PZMNGQM PUA6D5KU P3T7MJCC		



Uses 370 Watts, Replaces 1000W MH/HPS

**LEDRK03DL-370W-XWW-101WD** (Natural White)  
**LEDRK03DL-370W-XDW-101WD** (Daylight White)  
**LEDRK03DL-370W-XCW-101WD** (Pure White)

	XWW	XDW	XCW
<b>Color Temperature</b>	4100K	5000K	5700K
<b>Input Power (Watts)</b>	377.0	377.0	375.1
<b>Input Voltage</b>	100~277VAC (Tested @ 120VAC)		
<b>Input Current</b>	3.10A	3.10A	3.10A
<b>Power Factor</b>	0.95	0.95	0.91
<b>Total Lumens</b>	38581 lm	38581 lm	38568 lm
<b>Max. Candela</b>	13213 cd	13213 cd	13213 cd
<b>Efficacy (lm/W)</b>	102	102	102.82
<b>CRI</b>	67	67	73.8
<b>Illumination Angle</b>	120° x 120°		
<b>Dimmability</b>	0-10VDC		
<b>Oper. Temperature</b>	22°F ~+122°F / -30°C ~+50°C		
<b>Heatsink</b>	Aluminum Alloy / White		
<b>Yoke</b>	Steel / White		
<b>Net Weight</b>	13.7 lbs / 6.23 Kg		
<b>DLC Product ID</b>	-	-	PBTRBNYN

480 Watt Series also available: LEDRK03DL-480W-xxx-101WD