

SYLVANIA Luminaires

UltraLED™ RT

Recessed Downlight

Application

SYLVANIA UltraLED RT is a universal input voltage 5", 6" and 8" compatible LED recessed downlight kit that creates high performing white light and is optimized for new construction and retrofit applications utilizing pin-based compact fluorescent lamps. Installation is done quickly and easily in most standard six-inch and eight-inch frames. The SYLVANIA UltraLED RT series is designed to seamlessly integrate with SYLVANIA field-installable, integrated emergency battery back-up drivers.

Benefits and Features

- 85° beam angle
- Battery back-up ready connection increases the ease of installation
- High CRI (>90) ensures a high quality light
- Up to 94 LPW
- Offered in 700lm (9W), 900lm (12W), 1500lm (17W), 2000lm (23W), 3000lm (32W), 5000lm (57W) versions
- Energy savings up to 56%

Electrical

- Designed to operate at 120VAC or 120-277VAC (see ordering information for further details)
- Power Factor >.9
- THD <20%
- Phase-cut dimmable for RT5/6 700lm, 0-10V dimmable for all other versions

Rated Life

- ≥50,000 hours (L₇₀) @25°C

Warranty

- 5-year standard warranty

Ambient Operating Range

- -4°F to +104°F (-20°C to +40°C)

Item #
Type
Project
Notes
Date



Wattage Comparison

Traditional Source	LED System Wattage	Energy Savings
13W CFL	9W	31%
18W CFL	12W	33%
32W CFL	17W	47%
2x26W CFL	23W	56%
2x32W CFL	32W	50%
2x42W CFL	57W	32%

Certifications and Listings

- cETLus
- RoHS
- FCC
- ENERGY STAR®
- Classified for stand-alone and retrofit applications as per UL 1598/1598C
- RT6 and RT8 2000 lumens are IC rated for direct contact with insulation. Allows for installation without a housing
- Certified airtight as per ASTM E283-04
- Suitable for dry, damp, and wet locations

Installation

- Installation performed as a stand-alone kit is recommended for hard ceilings. Installation of a recessed incandescent frame is recommended for tiled ceiling application.



Ordering Guide

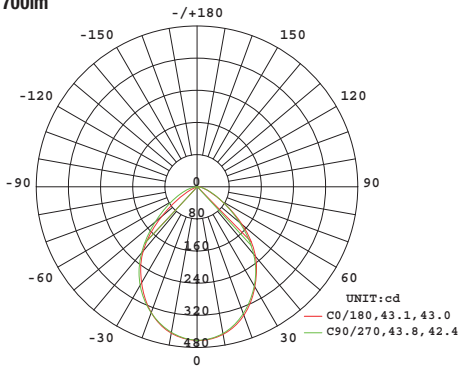
LEDRT	XX	/	R	3A	XXXX	X	X	/	9	XX
LEDRT = LED Downlights	Size 5/6 = 5/6" compatible can 6 = 6" compatible can 8 = 8" compatible can		Shape R = Round	Generation 3A = Generation 3A	Lumens output 700 = 700lm 900 = 900lm 1500 = 1500lm 2000 = 2000lm 3000 = 3000lm 5000 = 5000lm	Voltage U = 120-277V S = 120V	Dimming D = 0-10V T = Phase-Cut		CRI 9 = >90	XX 27 = 2700K 30 = 3000K 35 = 3500K 40 = 4000K 50 = 5000K

Ordering Information

Item Number	Ordering Abbreviation	Power (W)	Input Voltage	Dimming	CRI	Color Temp (CCT)	Total Fixture Lumens	ENERGY STAR Listed	LPW
60765	LEDRT56/R3A700ST/927	9	120V	Phase-Cut	90	2700K	700	Yes	78
60766	LEDRT56/R3A700ST/930	9	120V	Phase-Cut	90	3000K	700	Yes	78
60767	LEDRT56/R3A700ST/935	9	120V	Phase-Cut	90	3500K	700	Yes	78
60768	LEDRT56/R3A700ST/940	9	120V	Phase-Cut	90	4000K	700	Yes	78
60769	LEDRT56/R3A700ST/950	9	120V	Phase-Cut	90	5000K	700	Yes	78
61446	LEDRT56/R3A700UD/927	9	120-277V	0-10V	90	2700K	700	Yes	77
61447	LEDRT56/R3A700UD/930	9	120-277V	0-10V	90	3000K	700	Yes	77
61448	LEDRT56/R3A700UD/935	9	120-277V	0-10V	90	3500K	700	Yes	77
61449	LEDRT56/R3A700UD/940	9	120-277V	0-10V	90	4000K	700	Yes	77
61450	LEDRT56/R3A700UD/950	9	120-277V	0-10V	90	5000K	700	Yes	77
60770	LEDRT56/R3A900UD/927	12	120-277V	0-10V	90	2700K	900	Yes	75
60771	LEDRT56/R3A900UD/930	12	120-277V	0-10V	90	3000K	900	Yes	75
60772	LEDRT56/R3A900UD/935	12	120-277V	0-10V	90	3500K	900	Yes	75
60773	LEDRT56/R3A900UD/940	12	120-277V	0-10V	90	4000K	900	Yes	75
60774	LEDRT56/R3A900UD/950	12	120-277V	0-10V	90	5000K	900	Yes	75
60775	LEDRT6/R3A1500UD/930	17	120-277V	0-10V	90	3000K	1500	Yes	88
60776	LEDRT6/R3A1500UD/935	17	120-277V	0-10V	90	3500K	1500	Yes	88
60777	LEDRT6/R3A1500UD/940	17	120-277V	0-10V	90	4000K	1500	Yes	88
60778	LEDRT6/R3A1500UD/950	17	120-277V	0-10V	90	5000K	1500	Yes	88
60779	LEDRT8/R3A2000UD/930	23	120-277V	0-10V	90	3000K	2000	Yes	87
60780	LEDRT8/R3A2000UD/935	23	120-277V	0-10V	90	3500K	2000	Yes	87
60781	LEDRT8/R3A2000UD/940	23	120-277V	0-10V	90	4000K	2000	Yes	87
60782	LEDRT8/R3A2000UD/950	23	120-277V	0-10V	90	5000K	2000	Yes	87
60783	LEDRT8/R3A3000UD/930	32	120-277V	0-10V	90	3000K	3000	Yes	94
60784	LEDRT8/R3A3000UD/935	32	120-277V	0-10V	90	3500K	3000	Yes	94
60785	LEDRT8/R3A3000UD/940	32	120-277V	0-10V	90	4000K	3000	Yes	94
60786	LEDRT8/R3A3000UD/950	32	120-277V	0-10V	90	5000K	3000	Yes	94
60787	LEDRT8/R3A5000UD/930	57	120-277V	0-10V	90	3000K	5000	Yes	93
60788	LEDRT8/R3A5000UD/935	57	120-277V	0-10V	90	3500K	5000	Yes	93
60789	LEDRT8/R3A5000UD/940	57	120-277V	0-10V	90	4000K	5000	Yes	93

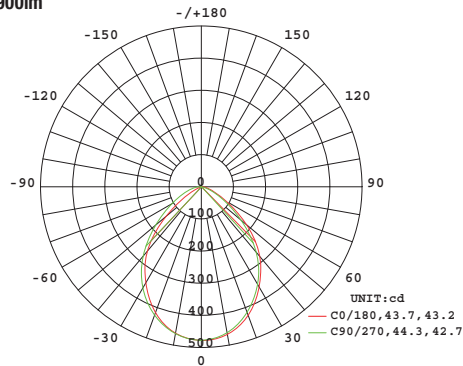
Photometric Data

700lm



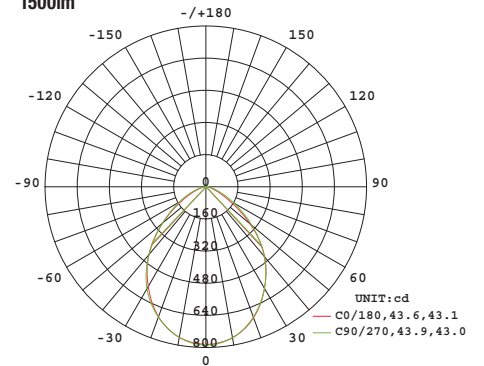
AVERAGE BEAM ANGLE(50%):86.1 DEG

900lm



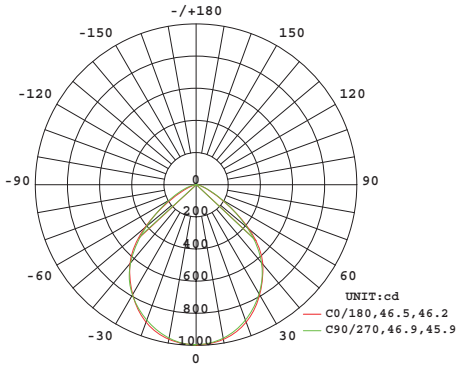
AVERAGE BEAM ANGLE(50%):86.9 DEG

1500lm



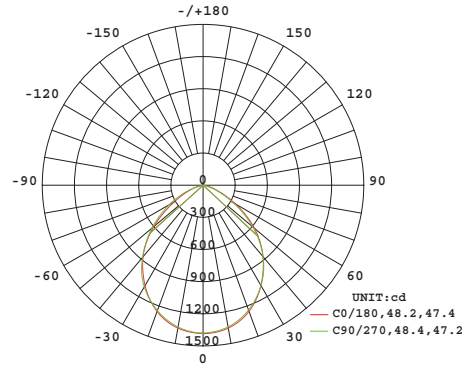
AVERAGE BEAM ANGLE(50%):86.8 DEG

2000lm



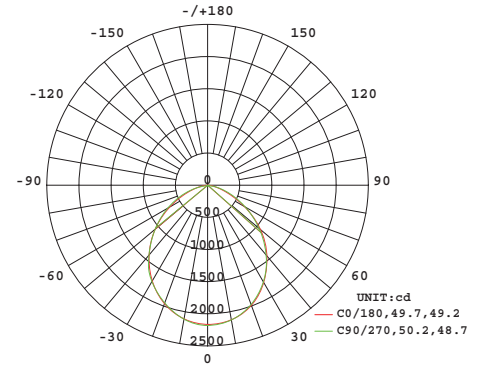
AVERAGE BEAM ANGLE(50%):92.7 DEG

3000lm



AVERAGE BEAM ANGLE(50%):95.6 DEG

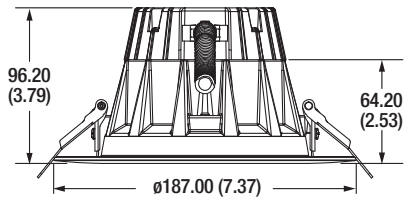
5000lm



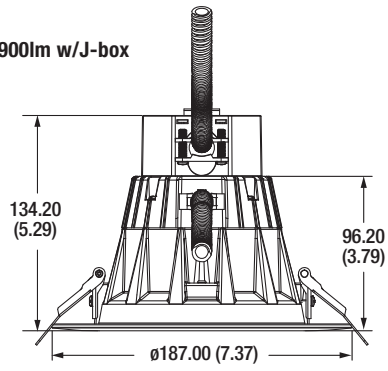
AVERAGE BEAM ANGLE(50%):98.9 DEG

Physical Information

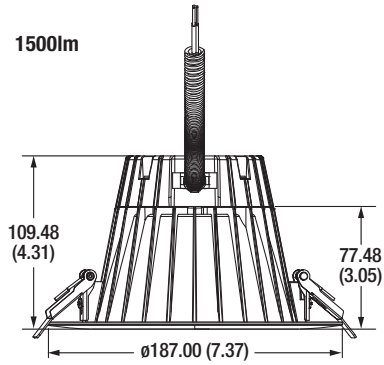
700lm & 900lm



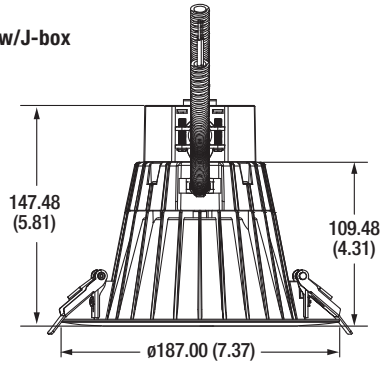
700lm & 900lm w/J-box



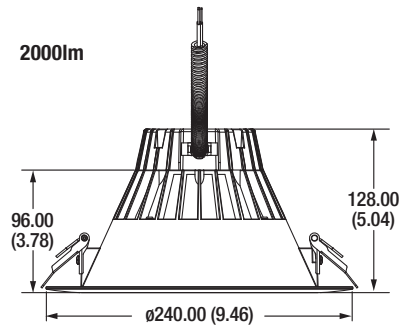
1500lm



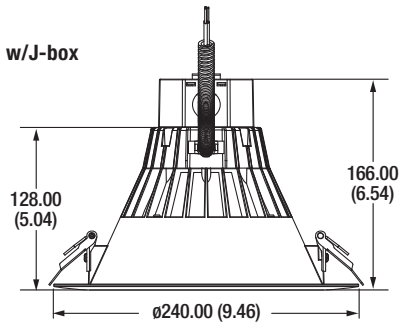
1500lm w/J-box



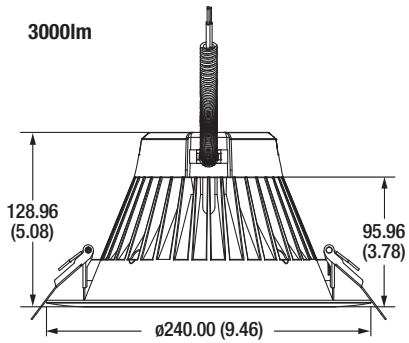
2000lm



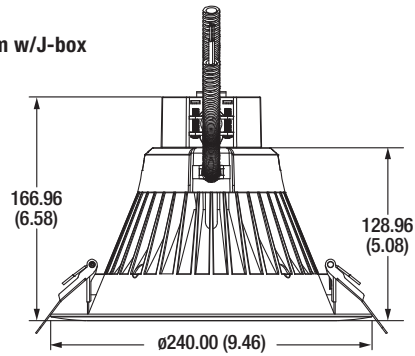
2000lm w/J-box



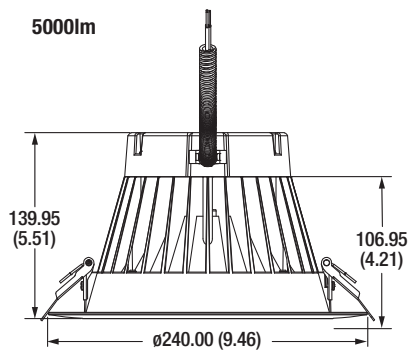
3000lm



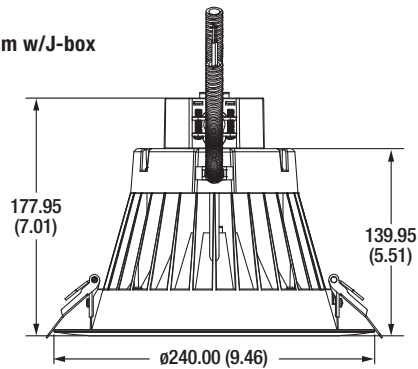
3000lm w/J-box



5000lm



5000lm w/J-box



Dimensions in mm (in)

Accessories

RT5/6 Retrofit Trim

75095	RT/5/6/TRIM/DKBZ	Dark bronze trim ring
75097	RT/5/6/TRIM/BLK	Black trim ring
75098	RT/5/6/TRIM/ORBZ	Bronze trim ring
75099	RT/5/6/TRIM/SN	Satin nickel trim ring

RT5/6 Trim Ring Extender

75082	RT6/8/TRIMEXT	Trim extender for 8" cans
-------	---------------	---------------------------

RT5/6 Rough In Frame

71708	LED/RT6HO/FRAME	6" recessed rough-in frame
-------	-----------------	----------------------------

RT8 Retrofit Trim

75092	RT8/TRIM/ALZAK	White trim and aluminum inner trim
75093	RT8/TRIM/SN	Satin nickel trim ring

RT8 Trim Ring Extender

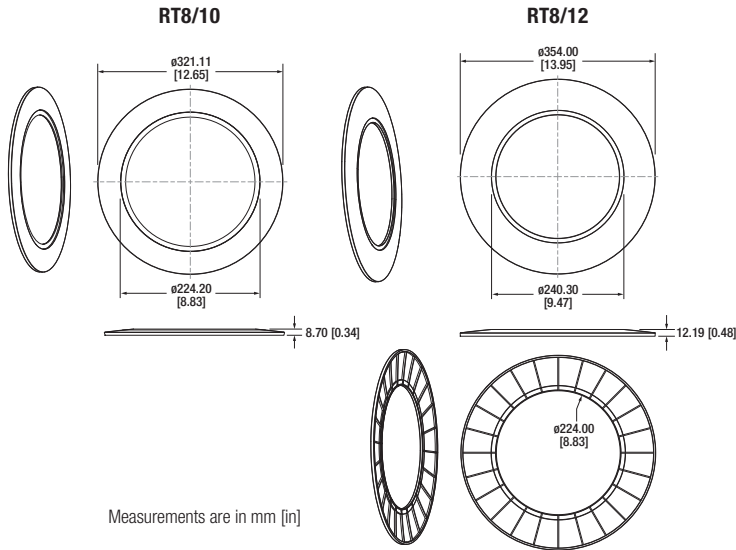
75083	RT8/10/TRIMEXT	Trim extender for 10" cans
74991	RT8/12/TRIMEXT	Trim extender for 12" cans

RT8 Rough In Frame

71709	LED/RT8/FRAME	8" recessed rough-in frame
-------	---------------	----------------------------



RT8 Trim Ring Extenders



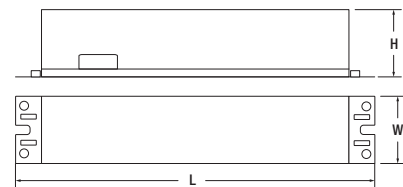
Emergency Battery Back-Up Accessories

Emergency Battery Back-Up Specs

NAED	Description	Input Voltage	Frequency	Input Current	Watt Hours	Max Mounting Height	Ambient Temp	Charging Time	Rating	Warranty
60887	EMBB1A5WDC	120-277V _{AC}	50/60 Hz	100mA Max.	9.6Wh	22.63ft	0-50°C	24 hours	Damp	4 years
60888	EMBB1A8WDC	120-277V _{AC}	50/60 Hz	100mA Max.	14.4Wh	22.26ft	0-50°C	24 hours	Damp	4 years
60889	EMBB1A16WDC	120-277V _{AC}	50/60 Hz	100mA Max.	28.8Wh	22.13ft	0-50°C	32 hours	Damp	4 years

Compatibility Table

RT	EMBB	Current (mA)	RT Lumens	Duration
LEDRT5/6R3A700ST9XX	EMBB1A5WDC	100	350	90 mins
LEDRT5/6R3A900UD9XX	EMBB1A5WDC	100	350	
	EMBB1A8WDC	150	500	
LEDRT6R3A1500UD9XX	EMBB1A8WDC	150	550	
	EMBB1A8WDC	200	700	
LEDRT8R3A2000UD9XX	EMBB1A8WDC	150	550	
	EMBB1A8WDC	200	700	
LEDRT8R3A3000UD9XX	EMBB1A8WDC	200	750	
	EMBB1A16WDC	300	1200	
LEDRT8R3A5000UD9XX	EMBB1A8WDC	200	750	
	EMBB1A16WDC	300	1200	

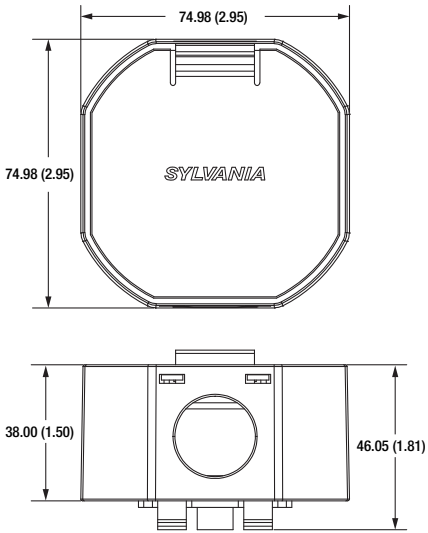


Dimensions	Length (mm)
H	55.5
W	55
L	256

Accessories (continued)

Junction Box

60891 ACC/RT/EMBB-J-BOX Junction box for RT Emergency Battery Back-up (8 per SKU)



Dimensions in mm (in.)

LEDVANCE LLC
200 Ballardvale Street
Wilmington, MA 01887 USA
Phone 1-800-LIGHTBULB (1-800-544-4828)
www.sylvania.com

SYLVANIA and LEDVANCE are registered trademarks.
All other trademarks are those of their respective owners.
Licensee of product trademark SYLVANIA in general lighting.
Specifications subject to change without notice.

 /sylvania  /sylvania

Name: _____

Email: _____

Phone: _____

