

SYLVANIA Luminaires

Hi-PerformanceLED™ Recessed Downlight Kit

Application

The SYLVANIA Hi-PerformanceLED Recessed Downlight is available in 3", 4", 6" and 8" models that create high performing light and are optimized for new construction and retrofit applications that previously utilized pin-based compact fluorescent lamps. Installation is done quickly and easily in most standard frames. The lumen selectable switch allows for customizable light replacing up to 100W compact fluorescent lamp and offering up to 60% energy savings when compared to traditional technologies.

Benefits and Features

- High CRI (>90) ensures a high quality light
- Quick disconnect allows for installation in new construction installation
- Junction box included to save money and time on job site
- ENERGY STAR® rated to maximize rebate opportunities
- Up to 98 LPW
- 2700K, 3000K, 3500K, 4000K and 5000K color temperatures available
- CRI >90
- Energy savings up to 60%
- Flicker free (<2% for 0-10V, <10% for phase-cut)
- Low Glare: UGR <19

Electrical

- 120-277VAC for 0-10V dimmable versions, 120VAC for phase-cut dimmable versions
- Power Factor >90%
- THD <20%
- Phase-cut dimming and 0-10V dimming models are both available (see ordering guide for details)

Rated Life

- ≥60,000 hours (L₇₀) @25°C

Warranty

- 5-year

Ambient Operating Range

- -4°F to +104°F (-20°C to +40°C)

| |
|---------|
| Item # |
| Type |
| Project |
| Notes |
| Date |



Wattage Comparison

| Traditional Source | LED System Wattage | Energy Savings |
|---------------------|--------------------|----------------|
| 5, 7, or 9W CFL | 4, 5 or 6W | 33% |
| 13, 16 or 18W CFL | 7, 9 or 10.5W | 42% |
| 13, 18 or 23W CFL | 8, 10 or 12W | 48% |
| 18, 23 or 32W CFL | 12, 14 or 16W | 50% |
| 18, 32 or 2x26W CFL | 11, 16 or 21W | 60% |
| 2x42 or 100W CFL | 31, 41 or 51W | 49% |

Certifications and Listings

- cETLus
- RoHS
- FCC
- ENERGY STAR
- Classified for stand-alone and retrofit applications as per UL 1598/1598C
- IC rated for direct contact with insulation. Allows for installation without a housing
- Certified airtight as per ASTM E283-04
- Suitable for dry, damp, and wet locations

Installation

- Installation performed as a stand-alone kit is recommended for hard ceilings. Installation of a recessed incandescent frame is recommended for tiled ceiling application.



Ordering Guide

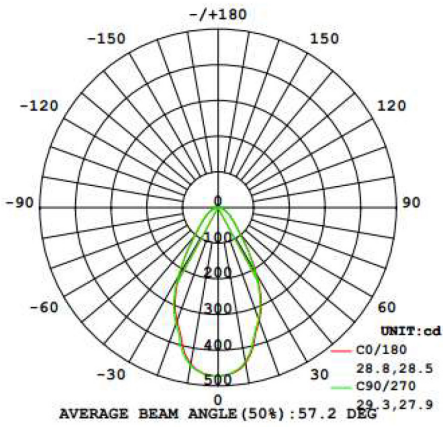
| LEDRT | X | / R | 4A | S | XXXX | X | D | / 9 | XX | S |
|--------------|--|-----------|--------------------|----------------------|--|--------------------------|------------------------------------|---------|--|--------------|
| Product Name | Size | Shape | Generation | Selectability | Lumen Output | Voltage | Dimming | CRI | Color Temp | Reflector |
| LED RT = LED | 3 = 3" | R = Round | 4A = Generation 4A | S = Lumen selectable | 500 = 350, 450 or 500 lumens 900 = 600, 750 or 900 lumens 1100 = 700, 900 or 1100 lumens 1500 = 1100, 1300 or 1500 lumens 2000 = 1000, 1500 or 2000 lumens 5000 = 3000, 4000 or 5000 lumens | U = 120-277V S = 120V | D = 0-10V T = phase-cut dimming | 9 = >90 | 27 = 2700K 30 = 3000K 35 = 3500K 40 = 4000K 50 = 5000K | S = Specular |
| Downlight | compatible can 4 = 4" compatible can 6 = 6" compatible can 8 = 8" compatible can | | | | | | | | | |

Ordering Information

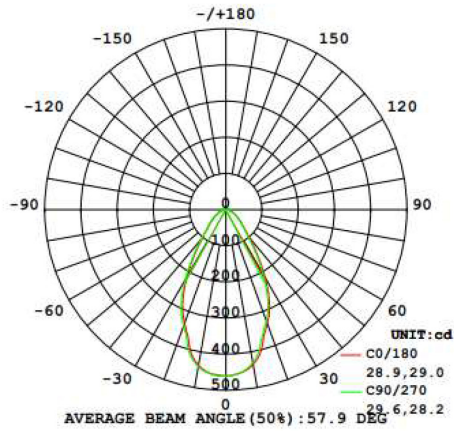
| Item Number | Ordering Abbreviation | Power (W) | Input Voltage (V) | Dimming | CRI | Color Temp | Total Fixture Lumens | ENERGY STAR® | LPW | Options |
|-------------|------------------------|--------------|-------------------|-----------|-----|------------|----------------------|--------------|-----|------------|
| 61537 | LEDRT3/R4AS500U/D/927S | 4, 5 or 6 | 120-277 | 0-10V | 90 | 2700K | 350, 450 or 500 | Yes | 83 | EMBB Ready |
| 61538 | LEDRT3/R4AS500UD/930S | 4, 5 or 6 | 120-277 | 0-10V | 90 | 3000K | 350, 450 or 500 | Yes | 83 | EMBB Ready |
| 61539 | LEDRT3/R4AS500UD/935S | 4, 5 or 6 | 120-277 | 0-10V | 90 | 3500K | 350, 450 or 500 | Yes | 83 | EMBB Ready |
| 61540 | LEDRT3/R4AS500UD/940S | 4, 5 or 6 | 120-277 | 0-10V | 90 | 4000K | 350, 450 or 500 | Yes | 83 | EMBB Ready |
| 61541 | LEDRT3/R4AS500UD/950S | 4, 5 or 6 | 120-277 | 0-10V | 90 | 5000K | 350, 450 or 500 | Yes | 83 | EMBB Ready |
| 61542 | LEDRT4/R4AS900UD/927S | 7, 9 or 10.5 | 120-277 | 0-10V | 90 | 2700K | 600, 750 or 900 | Yes | 86 | EMBB Ready |
| 61543 | LEDRT4/R4AS900UD/930S | 7, 9 or 10.5 | 120-277 | 0-10V | 90 | 3000K | 600, 750 or 900 | Yes | 86 | EMBB Ready |
| 61544 | LEDRT4/R4AS900UD/935S | 7, 9 or 10.5 | 120-277 | 0-10V | 90 | 3500K | 600, 750 or 900 | Yes | 86 | EMBB Ready |
| 61545 | LEDRT4/R4AS900UD/940S | 7, 9 or 10.5 | 120-277 | 0-10V | 90 | 4000K | 600, 750 or 900 | Yes | 86 | EMBB Ready |
| 61546 | LEDRT4/R4AS900UD/950S | 7, 9 or 10.5 | 120-277 | 0-10V | 90 | 5000K | 600, 750 or 900 | Yes | 86 | EMBB Ready |
| 61547 | LEDRT6/R4AS1100UD/927S | 8, 10 or 12 | 120-277 | 0-10V | 90 | 2700K | 700, 900 or 1100 | Yes | 92 | EMBB Ready |
| 61548 | LEDRT6/R4AS1100UD/930S | 8, 10 or 12 | 120-277 | 0-10V | 90 | 3000K | 700, 900 or 1100 | Yes | 92 | EMBB Ready |
| 61549 | LEDRT6/R4AS1100UD/935S | 8, 10 or 12 | 120-277 | 0-10V | 90 | 3500K | 700, 900 or 1100 | Yes | 92 | EMBB Ready |
| 61550 | LEDRT6/R4AS1100UD/940S | 8, 10 or 12 | 120-277 | 0-10V | 90 | 4000K | 700, 900 or 1100 | Yes | 92 | EMBB Ready |
| 61551 | LEDRT6/R4AS1100UD/950S | 8, 10 or 12 | 120-277 | 0-10V | 90 | 5000K | 700, 900 or 1100 | Yes | 92 | EMBB Ready |
| 61552 | LEDRT6/R4AS1500UD/930S | 12, 14 or 16 | 120-277 | 0-10V | 90 | 3000K | 1100, 1300 or 1500 | Yes | 94 | EMBB Ready |
| 61553 | LEDRT6/R4AS1500UD/935S | 12, 14 or 16 | 120-277 | 0-10V | 90 | 3500K | 1100, 1300 or 1500 | Yes | 94 | EMBB Ready |
| 61554 | LEDRT6/R4AS1500UD/940S | 12, 14 or 16 | 120-277 | 0-10V | 90 | 4000K | 1100, 1300 or 1500 | Yes | 94 | EMBB Ready |
| 61555 | LEDRT6/R4AS1500UD/950S | 12, 14 or 16 | 120-277 | 0-10V | 90 | 5000K | 1100, 1300 or 1500 | Yes | 94 | EMBB Ready |
| 61556 | LEDRT8/R4AS2000UD/930S | 11, 16 or 21 | 120-277 | 0-10V | 90 | 3000K | 1000, 1500 or 2000 | Yes | 95 | EMBB Ready |
| 61557 | LEDRT8/R4AS2000UD/935S | 11, 16 or 21 | 120-277 | 0-10V | 90 | 3500K | 1000, 1500 or 2000 | Yes | 95 | EMBB Ready |
| 61558 | LEDRT8/R4AS2000UD/940S | 11, 16 or 21 | 120-277 | 0-10V | 90 | 4000K | 1000, 1500 or 2000 | Yes | 95 | EMBB Ready |
| 61559 | LEDRT8/R4AS2000UD/950S | 11, 16 or 21 | 120-277 | 0-10V | 90 | 5000K | 1000, 1500 or 2000 | Yes | 95 | EMBB Ready |
| 61560 | LEDRT8/R4AS5000UD/930S | 31, 41 or 51 | 120-277 | 0-10V | 90 | 3000K | 3000, 4000 or 5000 | Yes | 98 | EMBB Ready |
| 61561 | LEDRT8/R4AS5000UD/935S | 31, 41 or 51 | 120-277 | 0-10V | 90 | 3500K | 3000, 4000 or 5000 | Yes | 98 | EMBB Ready |
| 61562 | LEDRT8/R4AS5000UD/940S | 31, 41 or 51 | 120-277 | 0-10V | 90 | 4000K | 3000, 4000 or 5000 | Yes | 98 | EMBB Ready |
| 61563 | LEDRT8/R4AS5000UD/950S | 31, 41 or 51 | 120-277 | 0-10V | 90 | 5000K | 3000, 4000 or 5000 | Yes | 98 | EMBB Ready |
| 61564 | LEDRT3/R4AS500ST/927S | 4, 5 or 6 | 120 | Phase-Cut | 90 | 2700K | 350, 450 or 500 | Yes | 83 | EMBB Ready |
| 61565 | LEDRT3/R4AS500ST/930S | 4, 5 or 6 | 120 | Phase-Cut | 90 | 3000K | 350, 450 or 500 | Yes | 83 | EMBB Ready |
| 61566 | LEDRT3/R4AS500ST/935S | 4, 5 or 6 | 120 | Phase-Cut | 90 | 3500K | 350, 450 or 500 | Yes | 83 | EMBB Ready |
| 61567 | LEDRT3/R4AS500ST/940S | 4, 5 or 6 | 120 | Phase-Cut | 90 | 4000K | 350, 450 or 500 | Yes | 83 | EMBB Ready |
| 61568 | LEDRT3/R4AS500ST/950S | 4, 5 or 6 | 120 | Phase-Cut | 90 | 5000K | 350, 450 or 500 | Yes | 83 | EMBB Ready |
| 61569 | LEDRT4/R4AS900ST/927S | 7, 9 or 10.5 | 120 | Phase-Cut | 90 | 2700K | 600, 750 or 900 | Yes | 86 | EMBB Ready |
| 61570 | LEDRT4/R4AS900ST/930S | 7, 9 or 10.5 | 120 | Phase-Cut | 90 | 3000K | 600, 750 or 900 | Yes | 86 | EMBB Ready |
| 61571 | LEDRT4/R4AS900ST/935S | 7, 9 or 10.5 | 120 | Phase-Cut | 90 | 3500K | 600, 750 or 900 | Yes | 86 | EMBB Ready |
| 61572 | LEDRT4/R4AS900ST/940S | 7, 9 or 10.5 | 120 | Phase-Cut | 90 | 4000K | 600, 750 or 900 | Yes | 86 | EMBB Ready |
| 61573 | LEDRT4/R4AS900ST/950S | 7, 9 or 10.5 | 120 | Phase-Cut | 90 | 5000K | 600, 750 or 900 | Yes | 86 | EMBB Ready |
| 61574 | LEDRT6/R4AS1100ST/927S | 8, 10 or 12 | 120 | Phase-Cut | 90 | 2700K | 700, 900 or 1100 | Yes | 92 | EMBB Ready |
| 61575 | LEDRT6/R4AS1100ST/930S | 8, 10 or 12 | 120 | Phase-Cut | 90 | 3000K | 700, 900 or 1100 | Yes | 92 | EMBB Ready |
| 61576 | LEDRT6/R4AS1100ST/935S | 8, 10 or 12 | 120 | Phase-Cut | 90 | 3500K | 700, 900 or 1100 | Yes | 92 | EMBB Ready |
| 61577 | LEDRT6/R4AS1100ST/940S | 8, 10 or 12 | 120 | Phase-Cut | 90 | 4000K | 700, 900 or 1100 | Yes | 92 | EMBB Ready |
| 61578 | LEDRT6/R4AS1100ST/950S | 8, 10 or 12 | 120 | Phase-Cut | 90 | 5000K | 700, 900 or 1100 | Yes | 92 | EMBB Ready |

Photometric Data

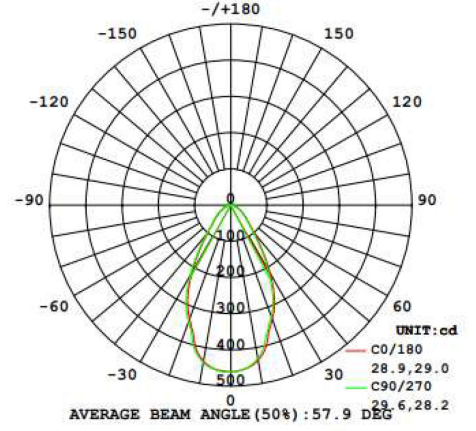
LEDRT3R4AS500ST9xxS



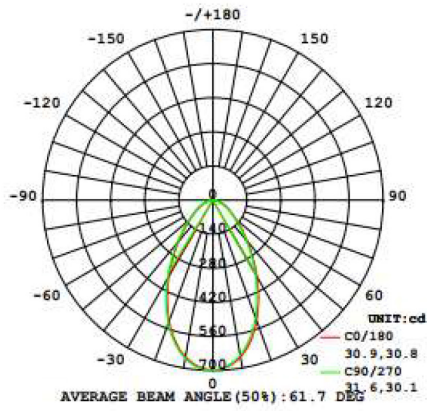
LEDRT3R4AS500UD9xxS



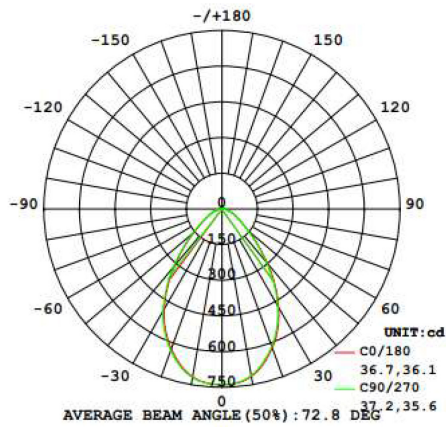
LEDRT4R4AS900ST9xxS



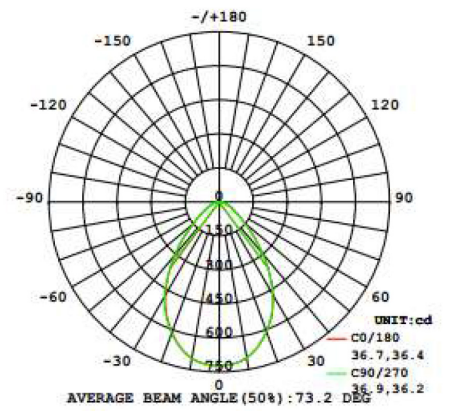
LEDRT4R4AS900UD9xxS



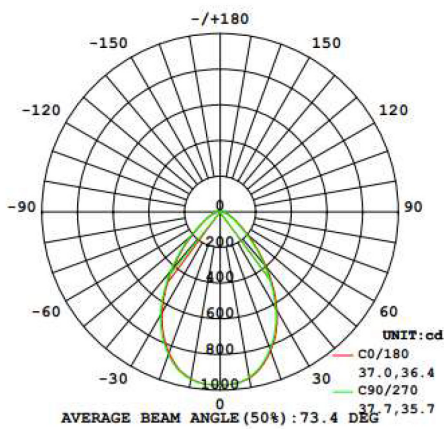
LEDRT6R4AS1100ST9xxS



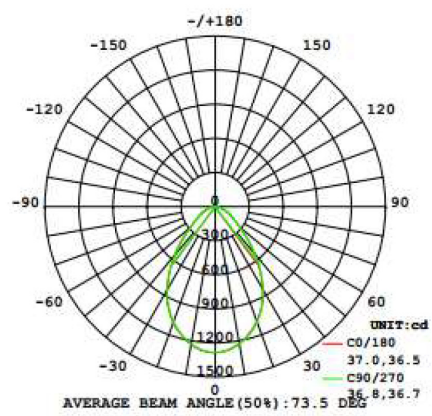
LEDRT6R4AS1100UD9xxS



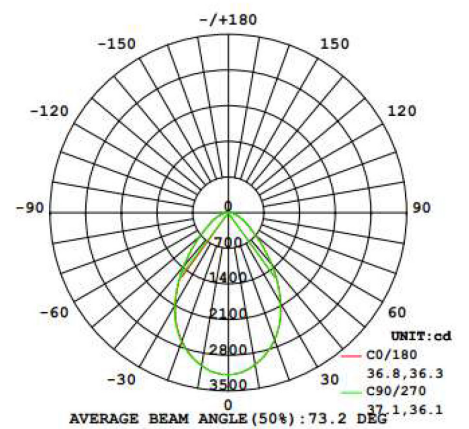
LEDRT6R4AS1500UD9xxS



LEDRT8R4AS2000UD9xxS



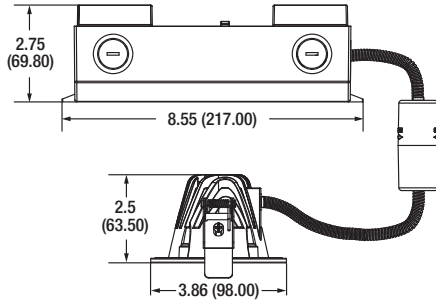
LEDRT8R4AS5000UD9xxS



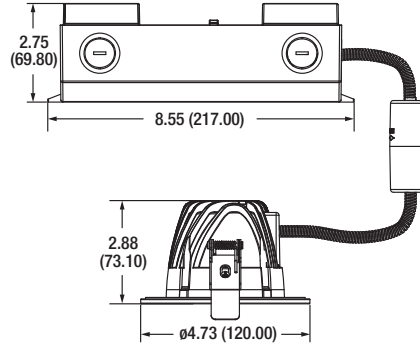
Physical Information

| Lamp Description | Width in (mm) | Height in (mm) |
|------------------|---------------|----------------|
| RT3 | 3.86 (98.00) | 2.5 (63.50) |
| RT4 | 4.73 (120.00) | 2.88 (73.10) |
| RT6 | 6.70 (170.00) | 7.10 (180.10) |
| RT8 | 9.06 (230.00) | 8.04 (204.10) |

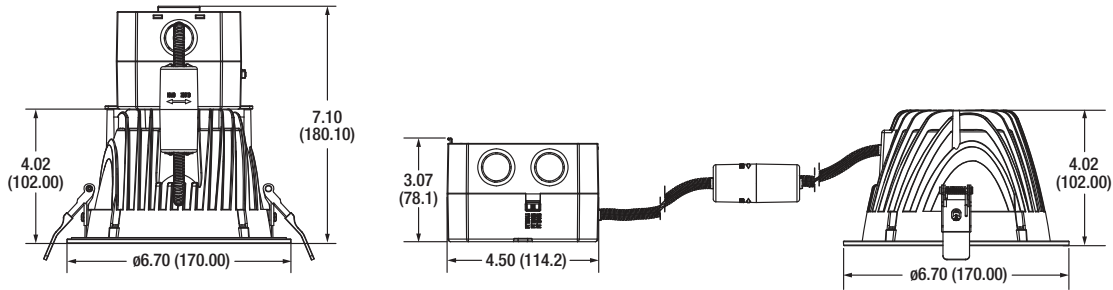
RT3



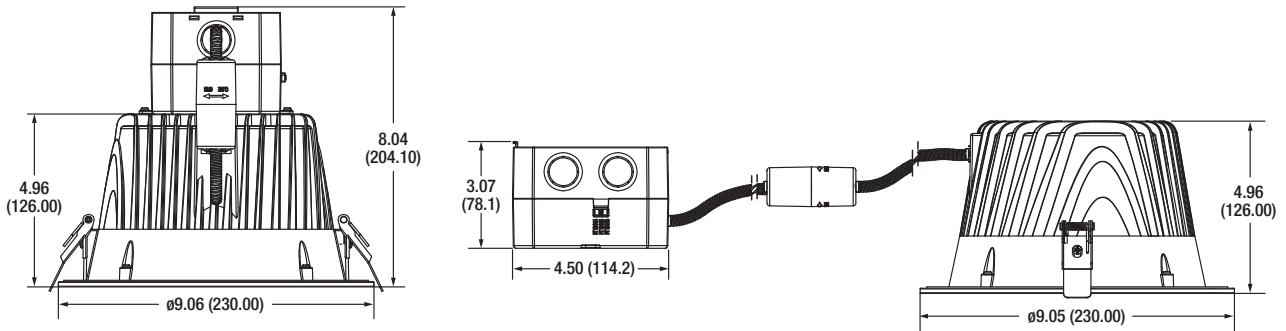
RT4



RT6



RT8



Dimensions in inches (mm)

LEDVANCE LLC
 200 Ballardvale Street
 Wilmington, MA 01887 USA
 Phone 1-800-LIGHTBULB (1-800-544-4828)
 www.sylvania.com

SYLVANIA and LEDVANCE are registered trademarks.
 All other trademarks are those of their respective owners.
 Licensee of product trademark SYLVANIA in general lighting.
 Specifications subject to change without notice.

[/sylvania](#) [/sylvania](#)

Name: _____
 Email: _____
 Phone: _____

