



23105 Kashiwa Court, Torrance, CA 90505
Phone: (800) 579-4875 or (310) 534-1505 Fax: (310) 534-1424
E-mail: info@ledtronics.com
Website: <http://www.ledtronics.com>

PAR46-75-0ER-038B

LED Bulb (PAR46), Spotlight, Floodlight, Railroad Markers
w/ Screw Terminals; Super Red (633 nm); 24V~38Vdc
Angle of illumination: 20° x 25°



DWG BY:

HF

05-10-24

R&D:

UF

05-14-24

MFG:

PP

05-14-24

QA:

GZ

05-14-24

REVISION LTR: PRELIMINARY

05-10-24

Part No.

PAR46-75-0ER-038B

DWG NO.

PAR0004-CUST

Page

1 of 5

○ **Features**

Operating Temperature	-30°C to +80°C
Storage Temperature	-40°C to +100°C
Lens Material / Color	Polycarbonate / Transparent Red
Base Material / Color	Polycarbonate / Black
Terminal Material	Thick Steel, Tin Plate
Screw Material	Brass
Screw Type	Pan Head Philips Machine Screw
Dimmable	No
Lifespan	100,000 hrs.
Warranty	3 Years
Weight	0.46 lb. / 7.4 oz.

○ **Electro-Optical Characteristics**

Part Number	PAR46-75-0ER-038B				
Input Voltage (typ)	24~38Vdc				
Tested @ (Voltage)	24Vdc	28Vdc	32Vdc	36Vdc	38Vdc
Power Consumption	4.6 W	6.7 W	6.2 W	6.2 W	6 W
Current Consumption	0.193 A	0.203 A	0.194 A	0.171 A	0.159 A
Lumens	92 lm	89 lm	83 lm	73 lm	68 lm
Maximum Candela	356 cd	342 cd	313 cd	275 cd	255 cd
λP nm	633				
Color	Super Red				
Angle of illumination	20° x 25°				

○ Dimensions



TOP VIEW



SIDE VIEW



BOTTOM VIEW

Note:

1. All Dimensions are in Inches [mm].

Tolerance:

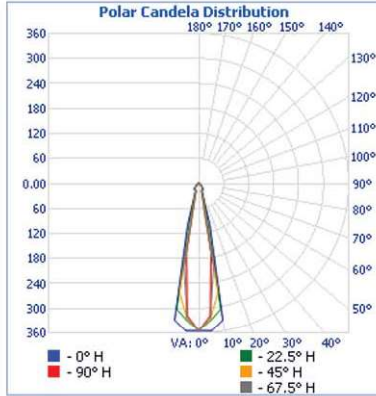
XXX +/- .010

XX +/- .025

**LED Bulb (PAR46), Spotlight, Floodlight, Railroad Markers
w/ Screw Terminals; 24~38VDC**

Luminaire Photometric Report

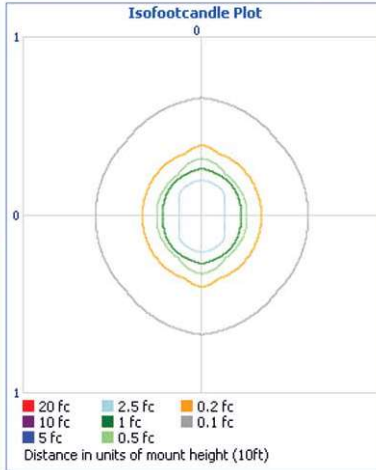
Filename: PAR46-75-0ER-038B 24V
 Manufacturer: LEDTRONICS
 Luminaire: RED LENS, 4.6W, 24VDC
 Lamp Output: 1 lamp, rated Lumens/lamp: 91.5
 Max Candela: 356.0 at Horizontal: 0°, Vertical: 5°
 Luminous Opening: Point
 Test: 5-9-24
 Photometry: Type C
 CIE Class: Direct
 Cutoff Class: Full Cutoff
 Nema Type: 3 X 3



Lumens Per Zone					
Zone	Lumens	% Total	Zone	Lumens	% Total
0-10	28.5	31.1%	90-100	0.000	0%
10-20	23.0	25.1%	100-110	0.000	0%
20-30	8.3	9.1%	110-120	0.000	0%
30-40	9.5	10.4%	120-130	0.000	0%
40-50	8.1	8.9%	130-140	0.000	0%
50-60	4.4	4.8%	140-150	0.000	0%
60-70	4.0	4.4%	150-160	0.000	0%
70-80	4.2	4.6%	160-170	0.000	0%
80-90	1.5	1.7%	170-180	0.000	0%

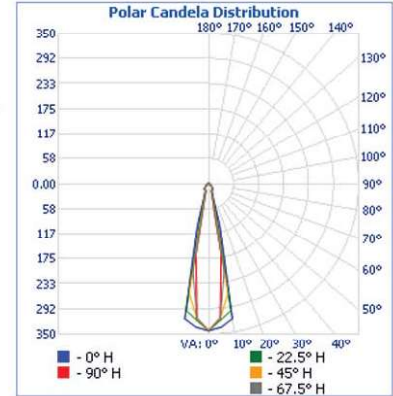
Illuminance at a Distance			
Center Beam fc	Beam Width		
1.7ft	123 fc	0.8 ft	0.6 ft
3.3ft	32.5 fc	1.6 ft	1.1 ft
5.0ft	14.2 fc	2.4 ft	1.7 ft
6.7ft	7.89 fc	3.2 ft	2.3 ft
8.3ft	5.14 fc	3.9 ft	2.9 ft
10.0ft	3.54 fc	4.7 ft	3.5 ft

Vert. Spread: 26.7°
 Horiz. Spread: 19.6°



Luminaire Photometric Report

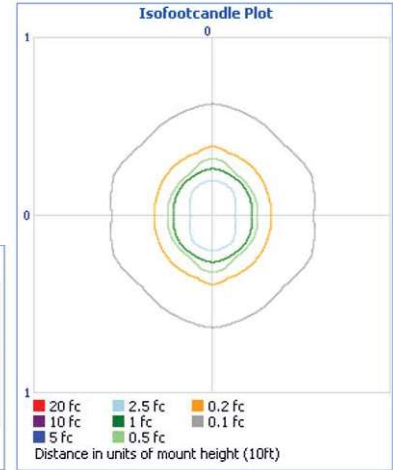
Filename: PAR46-75-0ER-038B
 Manufacturer: LEDTRONICS
 Luminaire: RED LENS, 5.7W, 28VDC
 Lamp Output: 1 lamp, rated Lumens/lamp: 89.3
 Max Candela: 341.8 at Horizontal: 0°, Vertical: 0°
 Luminous Opening: Point
 Test: 5-9-24
 Photometry: Type C
 CIE Class: Direct
 Cutoff Class: Full Cutoff
 Nema Type: 3 X 3



Lumens Per Zone					
Zone	Lumens	% Total	Zone	Lumens	% Total
0-10	27.8	31.1%	90-100	0.000	0%
10-20	22.6	25.3%	100-110	0.000	0%
20-30	8.0	9.0%	110-120	0.000	0%
30-40	9.3	10.4%	120-130	0.000	0%
40-50	7.9	8.8%	130-140	0.000	0%
50-60	4.3	4.8%	140-150	0.000	0%
60-70	3.8	4.3%	150-160	0.000	0%
70-80	4.1	4.6%	160-170	0.000	0%
80-90	1.6	1.8%	170-180	0.000	0%

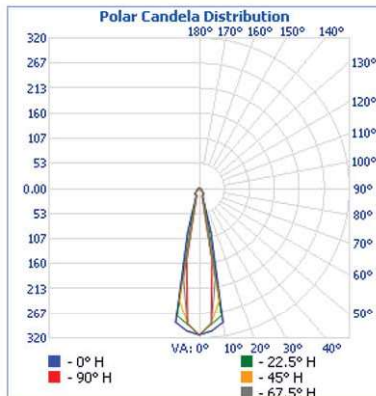
Illuminance at a Distance			
Center Beam fc	Beam Width		
1.7ft	118 fc	0.8 ft	0.6 ft
3.3ft	31.4 fc	1.6 ft	1.1 ft
5.0ft	13.7 fc	2.4 ft	1.7 ft
6.7ft	7.61 fc	3.2 ft	2.3 ft
8.3ft	4.96 fc	3.9 ft	2.9 ft
10.0ft	3.42 fc	4.8 ft	3.5 ft

Vert. Spread: 26.8°
 Horiz. Spread: 19.7°



Luminaire Photometric Report

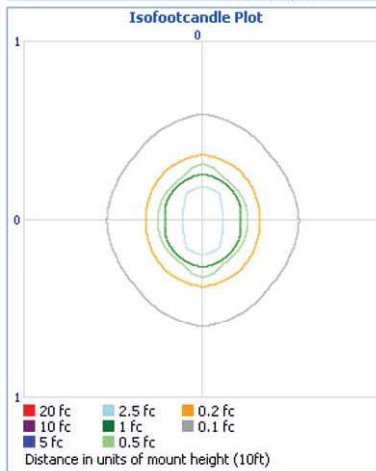
Filename: PAR46-75-0ER-038B
 Manufacturer: LEDTRONICS
 Luminaire: RED LENS, 6.2W, 32VDC
 Lamp Output: 1 lamp, rated Lumens/lamp: 83.3
 Max Candela: 313.4 at Horizontal: 0°, Vertical: 0°
 Luminous Opening: Point
 Test: 5-9-24
 Photometry: Type C
 CIE Class: Direct
 Cutoff Class: Full Cutoff
 Nema Type: 3 X 3



Lumens Per Zone					
Zone	Lumens	% Total	Zone	Lumens	% Total
0-10	25.6	30.8%	90-100	0.000	0%
10-20	21.0	25.2%	100-110	0.000	0%
20-30	7.4	8.9%	110-120	0.000	0%
30-40	8.6	10.4%	120-130	0.000	0%
40-50	7.3	8.8%	130-140	0.000	0%
50-60	4.0	4.8%	140-150	0.000	0%
60-70	3.8	4.5%	150-160	0.000	0%
70-80	4.0	4.8%	160-170	0.000	0%
80-90	1.5	1.8%	170-180	0.000	0%

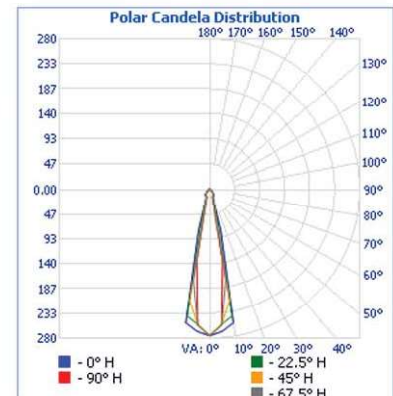
Illuminance at a Distance			
Center Beam fc	Beam Width		
1.7ft	108 fc	0.8 ft	0.6 ft
3.3ft	28.8 fc	1.6 ft	1.2 ft
5.0ft	12.5 fc	2.4 ft	1.8 ft
6.7ft	6.98 fc	3.2 ft	2.4 ft
8.3ft	4.55 fc	4.0 ft	2.9 ft
10.0ft	3.13 fc	4.8 ft	3.5 ft

Vert. Spread: 26.9°
 Horiz. Spread: 19.9°



Luminaire Photometric Report

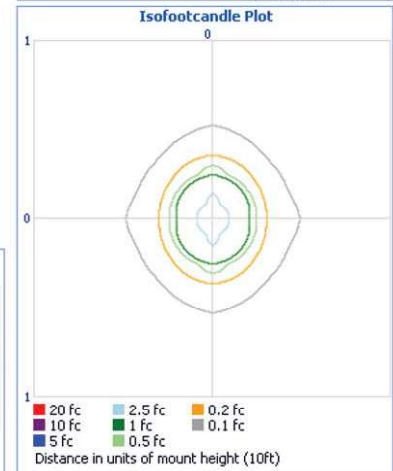
Filename: PAR46-75-0ER-038B
 Manufacturer: LEDTRONICS
 Luminaire: RED LENS, 6.3W, 36VDC
 Lamp Output: 1 lamp, rated Lumens/lamp: 72.7
 Max Candela: 275.2 at Horizontal: 0°, Vertical: 0°
 Luminous Opening: Point
 Test: 5-9-24
 Photometry: Type C
 CIE Class: Direct
 Cutoff Class: Full Cutoff
 Nema Type: 3 X 3



Lumens Per Zone					
Zone	Lumens	% Total	Zone	Lumens	% Total
0-10	22.5	31.0%	90-100	0.000	0%
10-20	18.3	25.2%	100-110	0.000	0%
20-30	6.6	9.0%	110-120	0.000	0%
30-40	7.6	10.4%	120-130	0.000	0%
40-50	6.4	8.8%	130-140	0.000	0%
50-60	3.4	4.7%	140-150	0.000	0%
60-70	3.1	4.2%	150-160	0.000	0%
70-80	3.6	4.9%	160-170	0.000	0%
80-90	1.3	1.7%	170-180	0.000	0%

Illuminance at a Distance			
Center Beam fc	Beam Width		
1.7ft	95.2 fc	0.8 ft	0.6 ft
3.3ft	25.3 fc	1.6 ft	1.2 ft
5.0ft	11 fc	2.4 ft	1.8 ft
6.7ft	6.13 fc	3.2 ft	2.4 ft
8.3ft	3.99 fc	3.9 ft	2.9 ft
10.0ft	2.75 fc	4.7 ft	3.5 ft

Vert. Spread: 26.7°
 Horiz. Spread: 20.0°



**LED Bulb (PAR46), Spotlight, Floodlight, Railroad Markers
w/ Screw Terminals; 24~38VDC**

LUMINAIRE PHOTOMETRIC REPORT

Luminaire Photometric Report

Filename: PAR46-75-0ER-038B

Manufacturer: LEDTRONICS

Luminaire: CLEAR LENS,6W,38VDC

Lamp Output: 1 lamp, rated Lumens/lamp: 67.6

Max Candela: 255.4 at Horizontal: 0°, Vertical: 0° 0°

Luminous Opening: Point

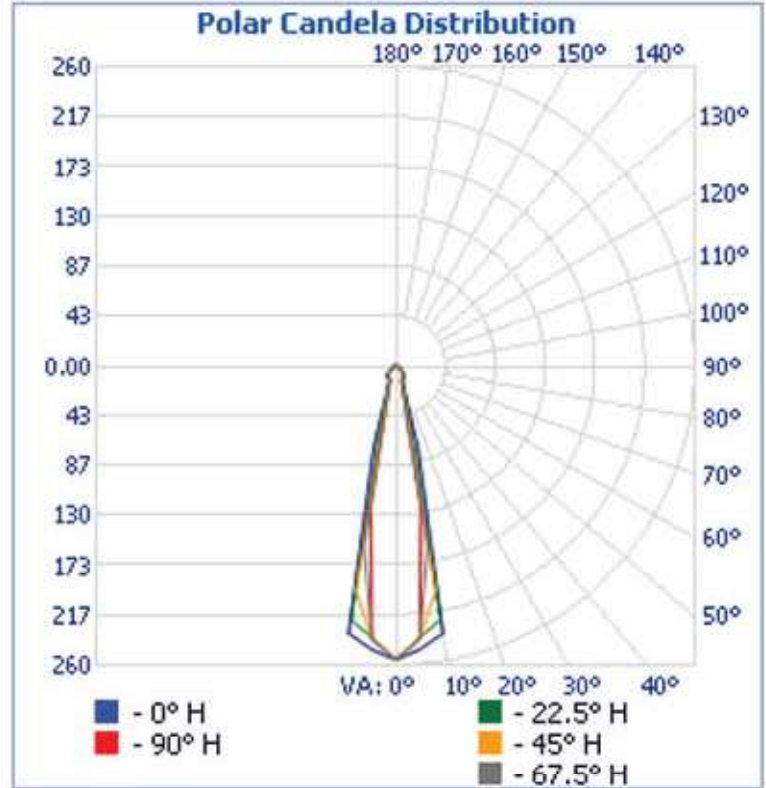
Test: 5-9-24

Photometry : Type C

CIE Class: Direct

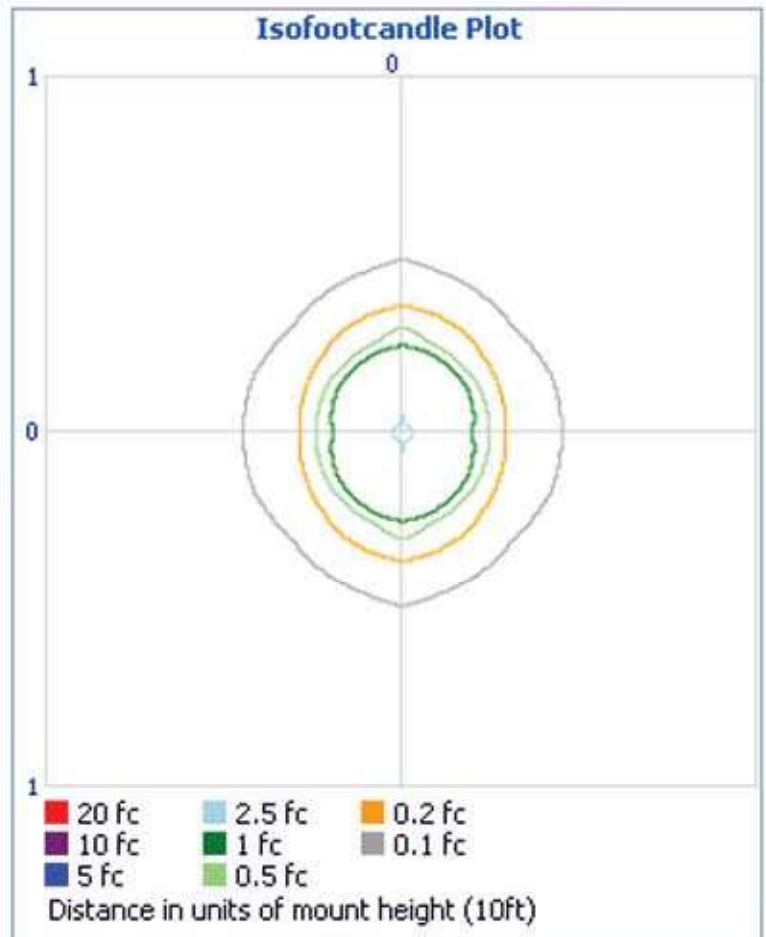
Cutoff Class: Full Cutoff

Nema Type: 3 X 3



Lumens Per Zone

Zone	Lumens	% Total	Zone	Lumens	% Total
0-10	20.9	30.9%	90-100	0.000	0%
10-20	17.0	25.2%	100-110	0.000	0%
20-30	6.1	9.1%	110-120	0.000	0%
30-40	7.0	10.4%	120-130	0.000	0%
40-50	6.0	8.9%	130-140	0.000	0%
50-60	3.2	4.8%	140-150	0.000	0%
60-70	2.9	4.3%	150-160	0.000	0%
70-80	3.2	4.7%	160-170	0.000	0%
80-90	1.2	1.8%	170-180	0.000	0%



Illuminance at a Distance

	Center Beam fc	Beam Width
1.7ft	88.4 fc	0.8 ft
3.3ft	23.5 fc	1.6 ft
5.0ft	10.2 fc	2.4 ft
6.7ft	5.69 fc	3.2 ft
8.3ft	3.71 fc	3.9 ft
10.0ft	2.55 fc	4.7 ft

■ Vert. Spread: 26.7°
■ Horiz. Spread: 19.9°