



With Screw Terminals 3 Wire Grounding

White glazed porcelain body. Green hex grounding screw. Spring-supported center contact. Screw shell reinforced with washers. No. 10088 fits all standard caps.

Standard pack: bulk

- 660W-250V • UL Listed E-3810 • CSA Certified LR-1863

Cat. No.	Description	O.D.	OAH	Mounting
10038-005*	Screw terminals—grounded	1 1/2 (38.1)	1 11/16 (42.86)	#6-32 bushings
10088	Heavy duty screw terminals	1 9/16 (39.69)	1 3/4 (44.45)	#6-32 screws

*Not CSA



With Wire Leads

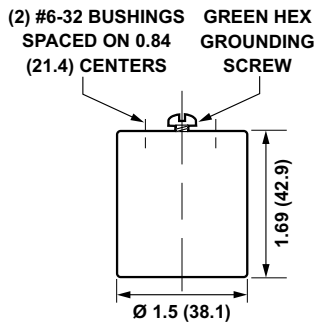
White glazed porcelain body. Screw shell is aluminum. Insulating washer has 11/32" hole. No. 10085 fits all standard caps. Standard leads are No. 18 AWG 105°C AWM-TEW plastic insulated wire, 9" long, stripped 3/4".

Standard pack: bulk

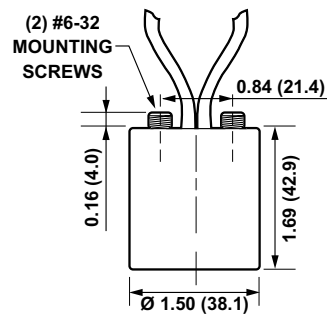
- 660W-250V • UL Listed E-3810 • CSA Certified LR-1863
- NOM Certified 057

Cat. No.	Description
10085	Screws
10085-005†	Bushing-tapped #6-32

†UL Recognized Component



Cat. No. 10038-005



Cat. No. 10085