

PRODUCT SPECIFICATIONS / INFO



13354-D

UPC Code: 07847795742

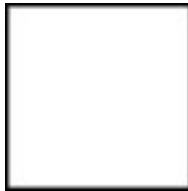
Country of Origin: Please Contact Customer Service

Description

Medium Base, Bi-Pin, Standard Fluorescent Lampholder, Tall Profile, Slide-On, Turn-Type, Disconnect, Quick-Connect 18AWG Solid or Str. Tinned - White

Product Features

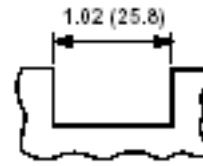
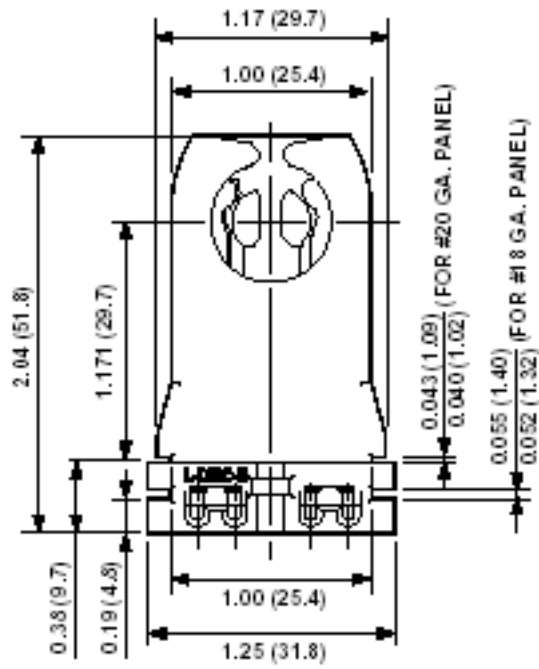
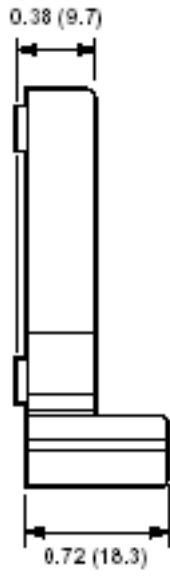
Color: White



Lamp Base: Medium
 Lamp Contacts: Bi-Pin
 Style Name: Tall Profile
 Mounting Type: Slide-On
 Panel Thickness: 18-20 Ga. Panel
 Contact Type: Turn-Type
 Termination: Quick-Connect 18AWG Solid or Str. Tinned
 Feature: Disconnect
 Rated Wattage: 660W
 Color: White
 Standards and Certifications: UL/CSA/NOM
 Warranty: 1 Year Limited
 Availability: Distribution

Electrical Specifications	
Voltage	600 Volt
Rated Wattage	660W
Mechanical Specifications	
Mounting Type	Slide-On
Panel Thickness	18-20 Ga. Panel
Contact Type	Turn-Type
Termination	Quick-Connect 18AWG Solid or Str. Tinned
Wire Strip Length	3/8 Inch

Material Specifications	
Body Material	Thermosetting Urea
Contact Material	Copper-Alloy
Color	White
Availability	Distribution
Standards and Certifications	
UL Listed	File E5833
UL Rated	Meets UL 1570 Requirements
CSA Certified	File LR-1863
NOM Certified	057



SUGGESTED OPENING IN SOCKET PLAT
THIS IS ONLY A RECOMMENDATION
AS SOCKET WILL FUNCTION
OVER A WIDER RANGE.

