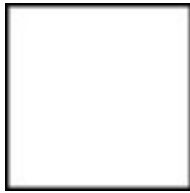


PRODUCT SPECIFICATIONS / INFO



Color: White



13518

UPC Code: 07847716856

Country of Origin: Mexico

Description

Medium Base, Bi-Pin, Standard Fluorescent Lampholder, Snap-In, Plunger, , Quickwire 18AWG Solid or Str Tinned - White

Product Features

Lamp Base: Medium

Lamp Contacts: Bi-Pin

Mounting Type: Snap-In

Panel Thickness: .035 - .050

Contact Type: Plunger

Termination: Quickwire 18AWG Solid

Rated Wattage: 660W

Color: White

Standards and Certifications: UL/CSA

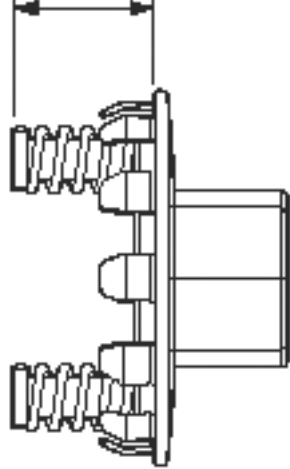
Warranty: 1 Year Limited

Availability: Distribution

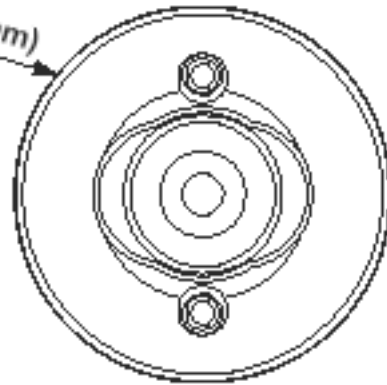
Electrical Specifications	
Voltage	600 Volt
Rated Wattage	660W
Mechanical Specifications	
Mounting Type	Snap-In
Panel Thickness	.035 - .050
Contact Type	Plunger
Termination	Quickwire 18AWG Solid

Material Specifications	
Body Material	Thermoplastic
Contact Material	Silver-Plated Copper-Alloy
Color	White
Availability	Distribution
Cover Plate	Stainless Steel
Standards and Certifications	
UL Listed	File E5833
CSA Certified	File LR-5863

0.64 (16.3 mm)



Ø1.64 (41.7 mm)



47.75 (1212.9 mm) FOR 48" LAMPS

