

Low-Profile Bi-Pin Fluorescent Lampholder Features Snap-In/ Slide-On Design and Lamp-Lock

**Accepts T-12 and
Energy-Efficient T-8
Fluorescent Lamps**



Definition:

Innovative features make it a snap to incorporate Leviton's versatile new lampholder into your fixture designs. Styled for convenience, the lampholder provides a user-friendly combination of benefits. These include front push-in wiring ports for easier access, snap-in or slide-on mounting options, and a 4-position, positive-stop lamp-lock socket that makes it simple for end-users to relamp in service. The thermoplastic lampholder fits the thin 22 to 25 gauge panels preferred by OEM's to create smaller, more cost-effective fixtures. It also has an optional panel locator post. Available shunted (Cat. No. 23653) and non-shunted (Cat. No. 13653). The lampholder is an exciting addition to Leviton's line of high-quality OEM products.



Applications:

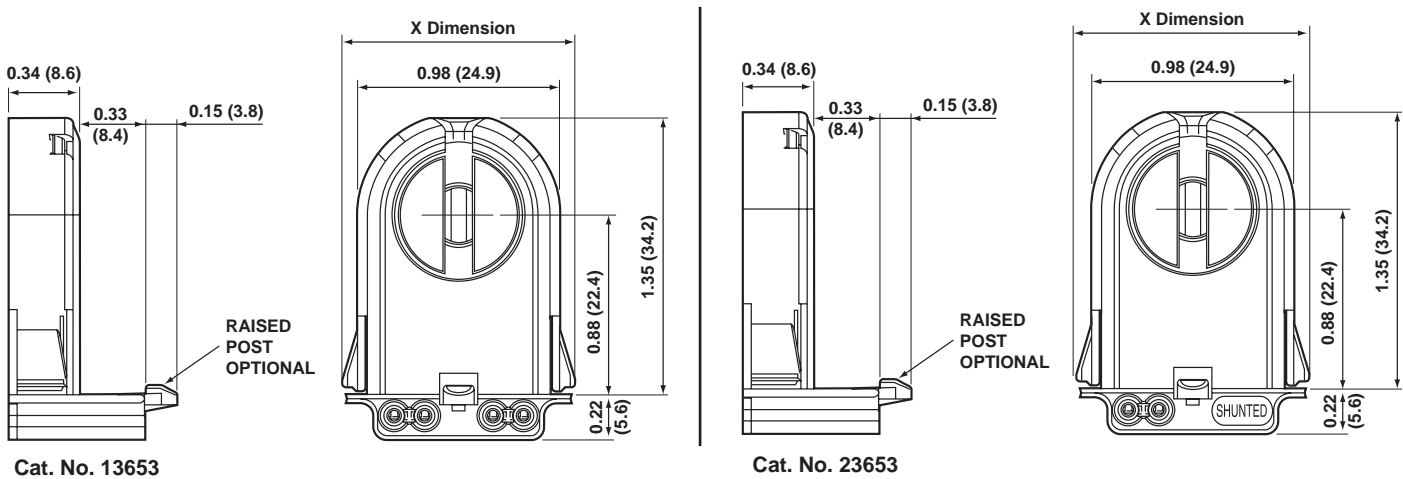
- Indoor lighting for retail, commercial and industrial facilities
- Educational facilities

Features and Benefits:

- Versatile snap-in or slide-on mounting reduces fixture assembly time
- Four-position lamp-lock socket rotates 90°, forward and back, for quick relamping
- Anti-vibration lamp-lock design ensures secure lamp fit
- Slim, low-profile silhouette fits 22 to 25 gauge panels
- Front push-in wiring provides easier access to wire ports
- Cat. No. 23653 provides internal shunt connection for use with electronic ballasts. Back of lampholder is stamped "S" for shunted
- Optional panel locator post
- Chemical-resistant white thermoplastic body
- Push-in wiring terminals accept No. 18 AWG solid or twisted-and-overtinned leads, stripped 3/8 inch

Dimensional Drawings

For use with 22 to 25 gauge panels



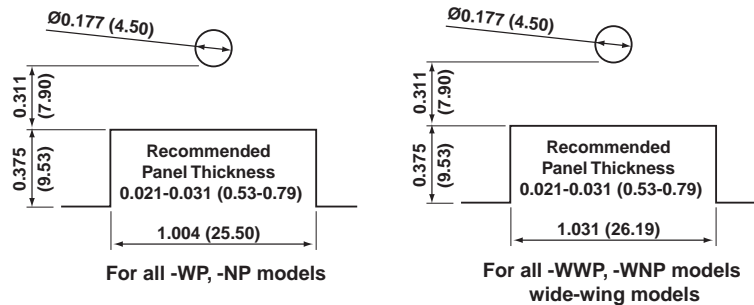
Cat. No. 13653

Cat. No. 23653

Rating: 660W-600V

Agency Standards

- UL Listed (File #E-5833)
- CSA Certified (File #LR-1863)
- NOM Certified (#057)
- VDE Certified to IEC



For all -WP, -NP models

For all -WWP, -WNP models
wide-wing models

NOTE: Dimensions in parentheses are in millimeters. All other dimensions are in inches.

Ordering Information:

Cat. No.	X Dimension	Description
13653-WP	1.12 (28.4)	Medium Bi-Pin Snap-In or Slide-On Fluorescent Lampholder for T-8 and T-12 lamps, with lamp lock.
13653-NP	1.12 (28.4)	Same as above less locator post.
23653-WP	1.12 (28.4)	Same as 13653-WP, except with internal shunt connection for use with electronic ballasts. Back of lampholder is stamped "S" to identify shunt and help prevent improper applications.
23653-NP	1.12 (28.4)	Same as above less locator post.
13653-WWP	1.15 (29.2)	Medium Bi-Pin Snap-In or Slide-On Fluorescent Lampholder for T-8 and T-12 lamps, with lamp lock. Wide-wing design.
13653-WNP	1.15 (29.2)	Same as above less locator post.
23653-WWP	1.15 (29.2)	Same as 13653-WWP, except with internal shunt connection for use with electronic ballasts. Back of lampholder is stamped "S" to identify shunt and help prevent improper applications.
23653-WNP	1.15 (29.2)	Same as above less locator post.

Leviton Manufacturing Co., Inc.

59-25 Little Neck Parkway, Little Neck, New York 11362-2591

- Tel: 1-800-833-3532 • Tech Line (8:30AM-7:30PM ET, Mon.-Fri.): 1-800-824-3005
- FAX: 1-800-832-9538
- Web site: www.leviton.com • Email: info@leviton.com

Leviton Manufacturing of Canada, Ltd.

165 Hymus Blvd., Pointe Claire, Quebec H9R 1E9
Tel: 1-800-469-7890 • FAX 1-800-563-1853



Because Leviton engages in a continuous program of product improvement, all data in this publication is subject to change without notice.