

# PRODUCT SPECIFICATIONS / INFO



## 23452-A

UPC Code: 07847706219

Country of Origin: Mexico

### Description

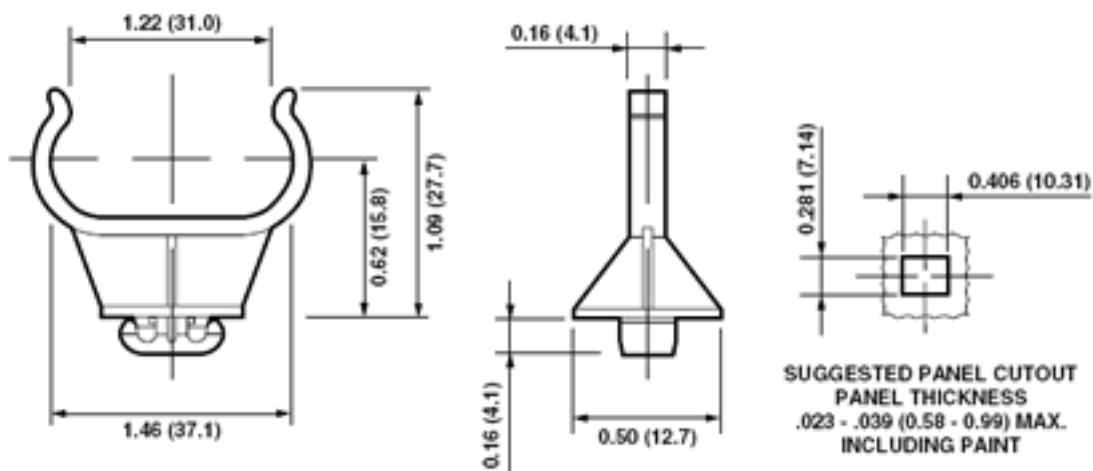
Slide-On Lamp Support Clip for Horizontal Mount 2G11 Base Twin Tube Fluorescent Lampholder

### Product Features

- Lamp Base: 2G11
- Lamp Contacts: 4-Pin
- Mounting Orientation: Horizontal
- Mounting Type: Slide-On
- Panel Thickness: 18-20 Ga. Panel
- Feature: Lamp Support Clip
- Warranty: 1 Year Limited
- Availability: Distribution

Material Specifications	
Body Material	Polycarbonate
Color	Clear
Availability	Distribution

Mechanical Specifications	
Mounting Type	Slide-On
Panel Thickness	18-20 Ga. Panel



Cat. No. 23452-A: Plastic Lamp Support Clips