

# MINIATURE BI-PIN SNAP-IN/ SLIDE-ON LAMPHOLDERS

Tall Profile • G5 Base



LINEAR FLUORESCENT

## Snap-In/Slide-On Design and Lamp-Lock Socket for High-Output, Energy-Efficient T-5 Lamps

Miniature Bi-Pin Fluorescent Lampholders are dedicated for T-5 lamps with a slender 5/8" (16mm) diameter. Available shunted (Cat. No. 23654) and non-shunted (Cat. No. 13654). User-friendly benefits include snap-in or slide-on mounting options, and a 4-position, positive-stop lamp-lock socket that makes it easy to relamp in service. Available with an optional panel locator pin.

**Cat. No. 13654-TWP:** Tall Profile Snap-In or Slide-On, with lamp-lock and locator pin.

**Cat. No. 13654-TNP:** Same as above, less locator pin.

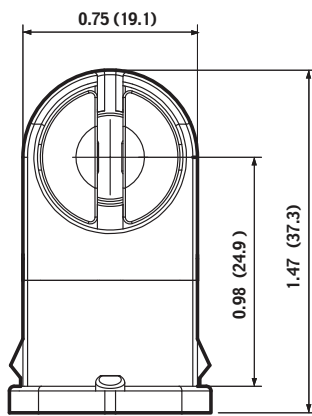
**Cat. No. 23654-TWP:** Tall Profile Snap-In or Slide-On, with lamp-lock and locator pin. Internal shunt connection for use with instant-start ballasts. Back of lampholder is stamped "S" to identify shunt and help prevent improper applications.

**Cat. No. 23654-TNP:** Same as above, less locator pin.

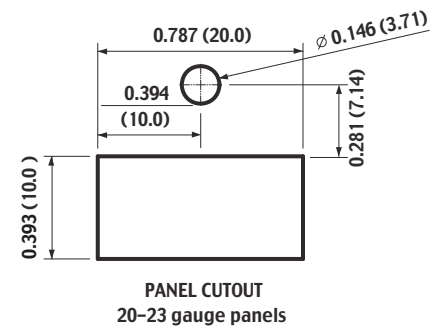
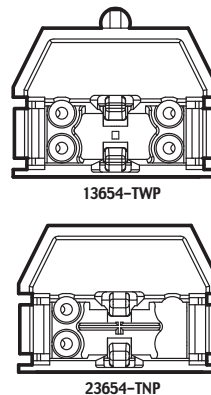
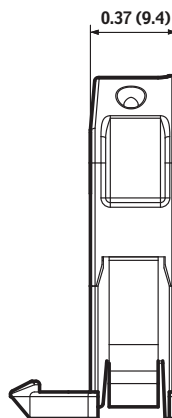
• 120W-600V • UL Listed E-5833 • CSA Certified LR-1863 • NOM Certified 057



SECTION A



Cat. No. 13654-TWP



PANEL CUTOUT  
20-23 gauge panels