



Rating:

660W-600V

Agency Standards:

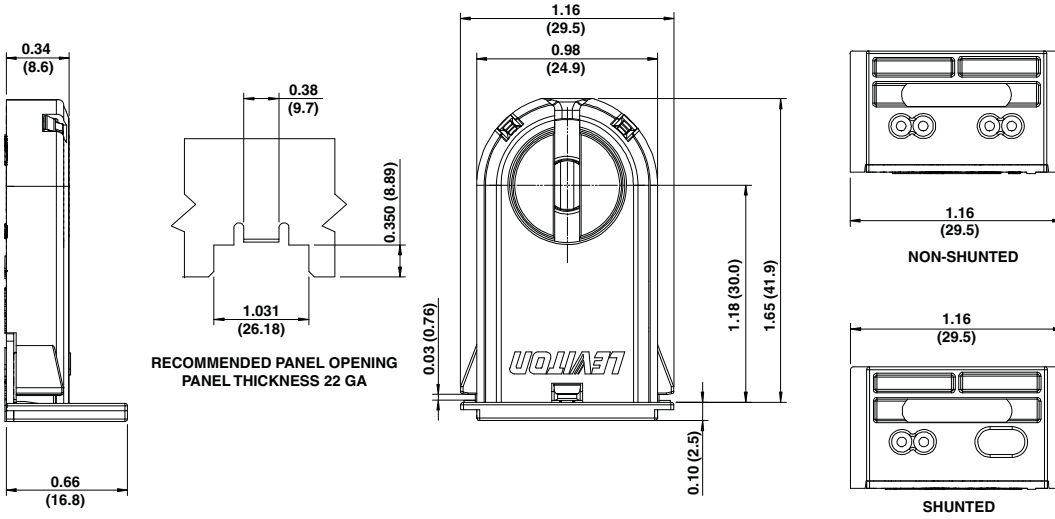
UL Listed  us (File #E-5833)
 NOM Certified (File #057)
 VDE Certified to IEC

ORDERING INFORMATION:

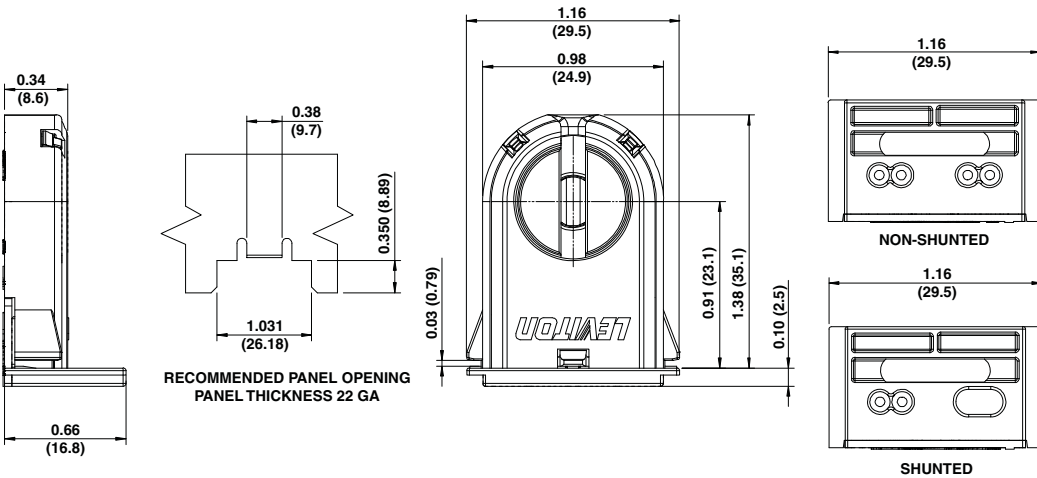
Cat. No.	Description
13660-SL	Tall Profile Slide-On, 30mm lamp center height
23660-SL	Same as above, except with internal shunt connection
13661-SL	Medium Profile Slide-On, 23mm lamp center height
23661-SL	Same as above, except with internal shunt connection
13662-SL	Short Profile Slide-On, 16mm lamp center height
23662-SL	Same as above, except with internal shunt connection
13660-SWP	Tall Profile Snap-In with locator pin, 30mm lamp center height
13660-SNP	Same as above, except without locator pin
23660-SWP	Tall Profile Snap-In with locator pin and internal shunt connection, 30mm lamp center height
23660-SNP	Same as above, except without locator pin
13661-SWP	Medium Profile Snap-In with locator pin, 23mm lamp center height
13661-SNP	Same as above, except without locator pin
23661-SWP	Medium Profile Snap-In with locator pin and internal shunt connection, 23mm lamp center height
23661-SNP	Same as above, except without locator pin
13662-SWP	Short Profile Snap-In with locator pin, 16mm lamp center height
13662-SNP	Same as above, except without locator pin
23662-SWP	Short Profile Snap-In with locator pin and internal shunt connection, 16mm lamp center height
23662-SNP	Same as above, except without locator pin

Slide-On Medium Bi-Pin Lampholders for T-8 Lamps with G13 Base

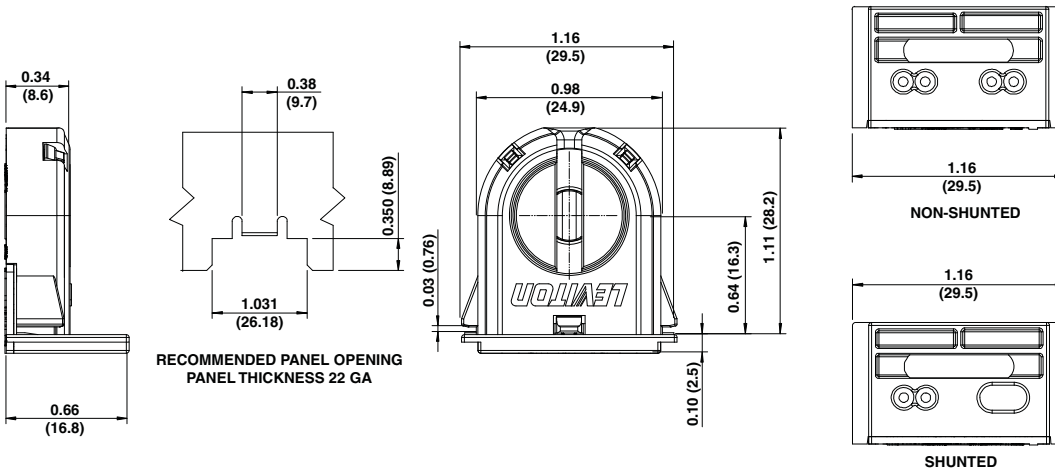
Cat. No. 13660-SL/23660-SL



Cat. No. 13661-SL/23661-SL

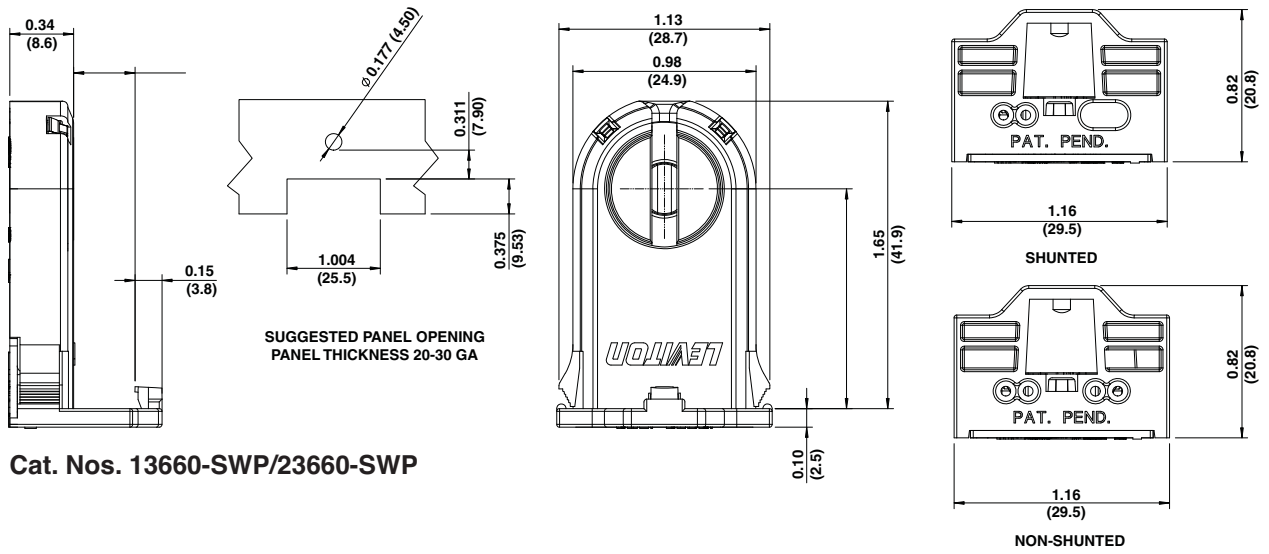


Cat. No. 13662-SL/23662-SL



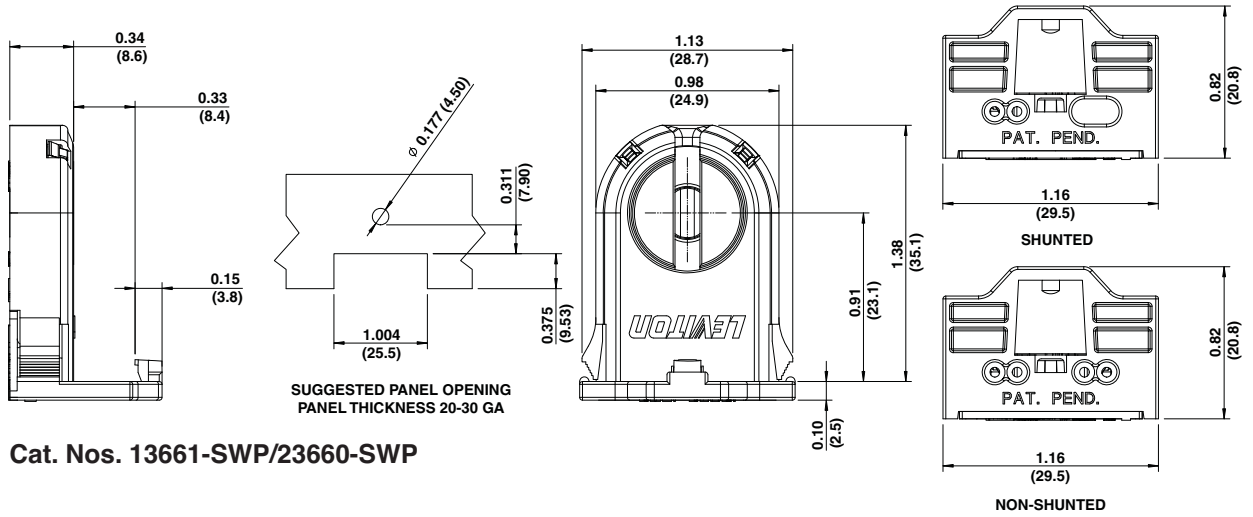
Snap-In Medium Bi-Pin Lampholders for T-8 Lamps with G13 Base

Cat. Nos. 13660-SWP/13660-SNP, 23660-SWP/23660-SNP



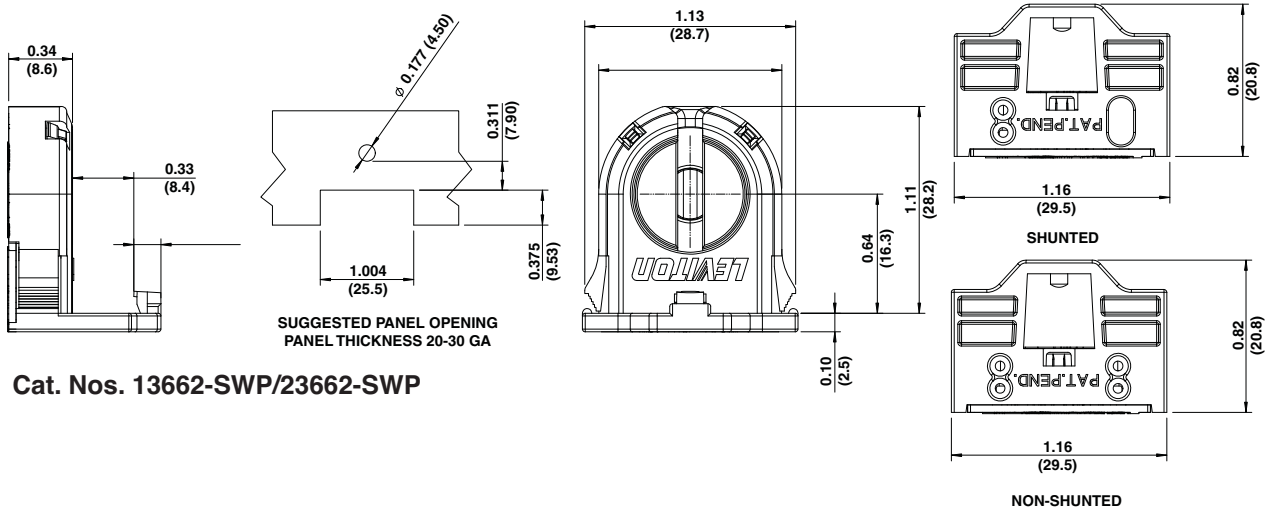
Cat. Nos. 13660-SWP/23660-SWP

Cat. Nos. 13661-SWP/13661-SNP, 23661-SWP/23661-SNP



Cat. Nos. 13661-SWP/23660-SWP

Cat. Nos. 13662-SWP/13662-SNP, 23662-SWP/23662-SNP



Cat. Nos. 13662-SWP/23662-SWP