

PRODUCT SPECIFICATIONS / INFO

26720-100



UPC Code: 07847794968

Country of Origin: Mexico

Description

GX23, GX23-2 Base, 2-Pin, Compact Fluorescent Lampholder, Horizontal, Snap-In, Black Color Code, , Quick-Connect 18AWG Solid or Str. Tinned - White Body

Product Features

Lamp Base: GX23, GX23-2

Lamp Contacts: 2-Pin

Mounting Orientation: Horizontal

Mounting Type: Snap-In

Panel Thickness: .023 - .039

Color Code: Black

Termination: Quick-Connect 18AWG Solid or Str. Tinned

Rated Wattage: 75W

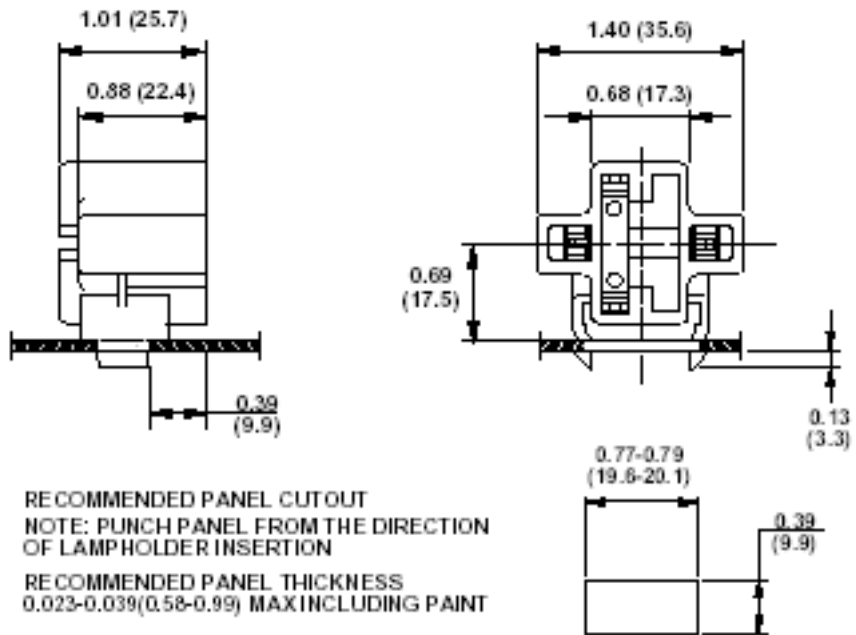
Standards and Certifications: UL/CSA/NOM

Warranty: 1 Year Limited

Availability: Distribution

Electrical Specifications	
Voltage	600 Volt
Rated Wattage	75W
Mechanical Specifications	
Mounting Type	Snap-In
Panel Thickness	.023 - .039
Color Code	Black
Body Style	Standard Body
Termination	Quick-Connect 18AWG Solid or Str. Tinned
Wire Strip Length	3/8 Inch
Wiring Ports	2
Color	White

Material Specifications	
Body Material	Thermoplastic
Retainer Clip	Stainless Steel
Availability	Distribution
Standards and Certifications	
UL Listed	File E5833
CSA Certified	File LR-1863
NOM	057



RECOMMENDED PANEL CUT OUT
 NOTE: PUNCH PANEL FROM THE DIRECTION
 OF LAMPHOLDER INSERTION
 RECOMMENDED PANEL THICKNESS
 0.023-0.039(0.58-0.99) MAX INCLUDING PAINT

Cat. No. 26720-100