

## PRODUCT SPECIFICATIONS / INFO



# 3152-8

UPC Code: 07847719510

### Description

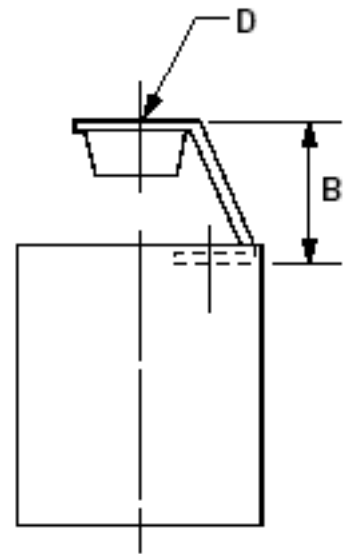
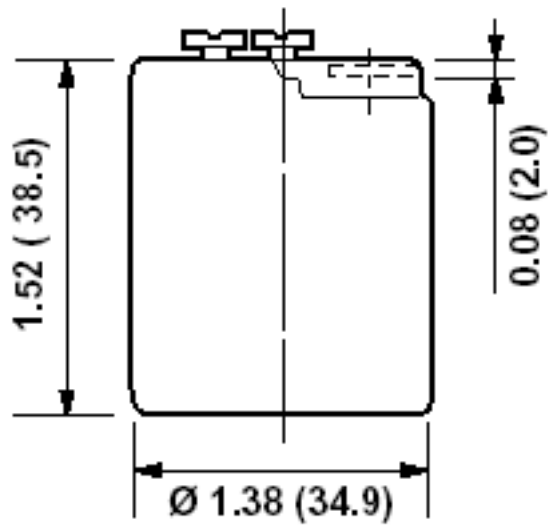
Medium Base, One-Piece, Keyless, Incandescent, Unglazed Porcelain Lampholder, Bracket Mount, Single Circuit, Back Wired, - White

### Product Features

Lamp Socket Base: Medium  
Construction: One-Piece  
Mounting Type: Bracket Mount  
Circuit: Single Circuit  
Access: Back Wired  
Termination: 2-Terminal Screws  
Mounting Type: A-1 Bracket  
Screw Shell Material: Aluminum  
Body Material: Unglazed Porcelain  
Standards and Certifications: UL/CSA/NOM  
Warranty: 1 Year Limited  
Availability: Distribution

Electrical Specifications	
Circuit	Single Circuit
Wattage Rating	660W
Voltage	250 Volt
Mechanical Specifications	
Access	Back Wired

Material Specifications	
Color	White
Availability	Distribution
Standards and Certifications	
UL Listed	File E3810
CSA Certified	File LR-1863
NOM Certified	057



Dash No.	B	D
008	17/32 (13.49)	1/8-27