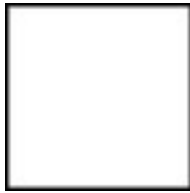


PRODUCT SPECIFICATIONS / INFO

458



Color: White



UPC Code: 07847710759

Country of Origin: Mexico

Description

Medium Base, Bi-Pin, Standard Fluorescent Lampholder, Butt-On, Screw Mount, Stationary, , 9-Inch 18-AWM TEW Wire Leads - White

Product Features

Lamp Base: Medium

Lamp Contacts: Bi-Pin

Style Name: Butt-On

Mounting Type: Screw Mount

Contact Type: Stationary

Termination: 9-Inch 18-AWM TEW Wire Leads

Rated Wattage: 660W

Color: White

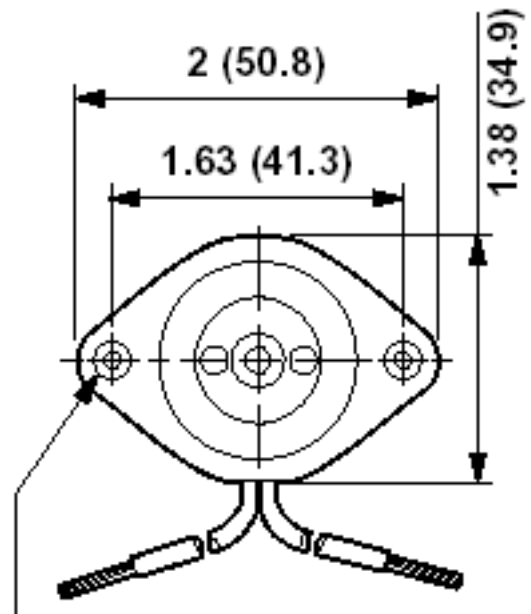
Standards and Certifications: UL

Warranty: 1 Year Limited

Availability: Distribution

Electrical Specifications	
Voltage	600 Volt
Rated Wattage	660W
Mechanical Specifications	
Mounting Type	Screw Mount
Contact Type	Stationary
Termination	9-Inch 18-AWM TEW Wire Leads
Wire Strip Length	3/4 Inch

Material Specifications	
Body Material	Thermoplastic
Contact Material	Copper-Alloy
Screw	6-32 X 3/8 Zinc-Plated
Color	White
Availability	Distribution
Standards and Certifications	
UL Listed	File E5833



(2) MOUNTING HOLES
TAPPED #6-32

