

PRODUCT SPECIFICATIONS / INFO

516



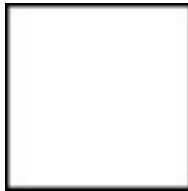
UPC Code: 07847710769

Country of Origin: Mexico

Description

Slimline Base, Single Pin, Standard Fluorescent Lampholder, Snap-In, Plunger, , Quickwire 18AWG Solid or Str Tinned - White

Color: White



Product Features

Lamp Base: Slimline
 Lamp Contacts: Single Pin
 Mounting Type: Snap-In
 Panel Thickness: .035 - .050
 Contact Type: Plunger
 Termination: Quickwire 18AWG Solid or Str Tinned
 Rated Wattage: 660W

Color: White

Standards and Certifications: UL/CSA

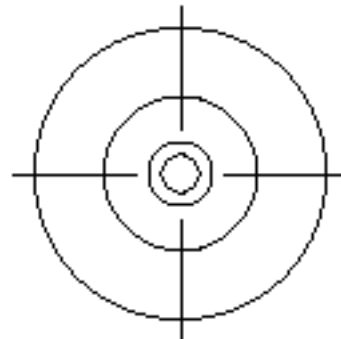
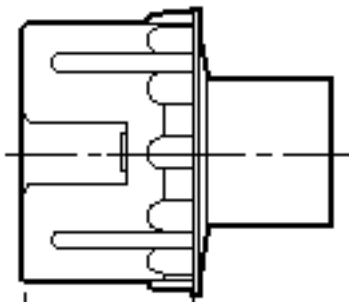
Warranty: 1 Year Limited

Availability: Distribution

Electrical Specifications	
Voltage	1000 Volt
Rated Wattage	660W
Mechanical Specifications	
Mounting Type	Snap-In
Panel Thickness	.035 - .050
Contact Type	Plunger
Termination	Quickwire 18AWG Solid or Str Tinned

Material Specifications	
Body Material	Thermoplastic
Contact Material	Silver-Plated Copper-Alloy
Color	White
Availability	Distribution
Standards and Certifications	
UL Listed	File E5833
CSA Certified	File LR-5863

SLIMLINE



0.95 (24.2)

$94^{+3/64}_{-1/16}$ (2,387.6^{+1.2}_{-1.6})
FOR 96" LAMP