

PRODUCT SPECIFICATIONS / INFO

523



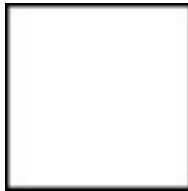
UPC Code: 07847710771

Country of Origin: Mexico

Description

High-Output Base, Double Contact, Standard Fluorescent Lampholder, Snap-In, Plunger, Quickwire 18AWG Solid or Str Tinned - White

Color: White



Product Features

Lamp Base: High-Output
 Lamp Contacts: Double Contact
 Mounting Type: Snap-In
 Panel Thickness: .035 - .050
 Contact Type: Plunger
 Termination: Quickwire 18AWG Solid or Str Tinned
 Rated Wattage: 660W

Color: White

Standards and Certifications: UL/CSA

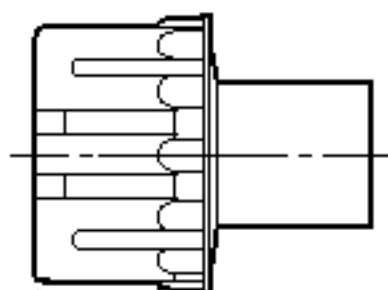
Warranty: 1 Year Limited

Availability: Distribution

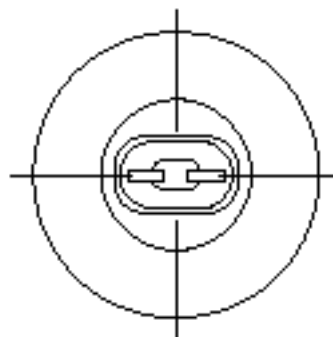
Electrical Specifications	
Voltage	1000 Volt
Rated Wattage	660W
Mechanical Specifications	
Mounting Type	Snap-In
Panel Thickness	.035 - .050
Contact Type	Plunger
Termination	Quickwire 18AWG Solid or Str Tinned

Material Specifications	
Body Material	Thermoplastic
Contact Material	Silver-Plated Copper-Alloy
Color	White
Availability	Distribution
Standards and Certifications	
UL Listed	File E5833
CSA Certified	File LR-5863

HIGH OUTPUT 800 MA & 1500 MA



0.94 (23.8)



94 $^{+3/32}_{-0}$ (2,387.6 $^{+2.4}_{-0}$)

FOR 96" LAMP

Cat. No. 523