

# PRODUCT SPECIFICATIONS / INFO

## 524



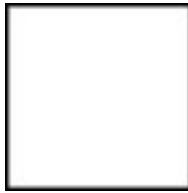
**UPC Code:** 07847710772

**Country of Origin:** Mexico

### Description

High-Output Base, Double Contact, Standard Fluorescent Lampholder, Snap-In, Stationary, Quickwire 18AWG Solid or Str Tinned - White

**Color:** White



### Product Features

Lamp Base: High-Output  
 Lamp Contacts: Double Contact  
 Mounting Type: Snap-In  
 Panel Thickness: .035 - .050  
 Contact Type: Stationary  
 Termination: Quickwire 18AWG Solid or Str Tinned  
 Rated Wattage: 660W

Color: White

Standards and Certifications: UL/CSA

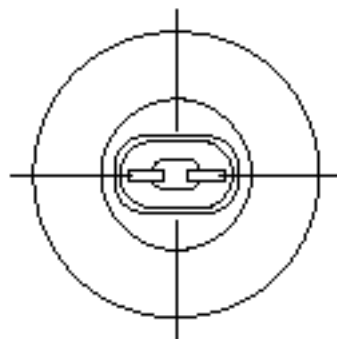
Warranty: 1 Year Limited

Availability: Distribution

Electrical Specifications	
Voltage	600 Volt
Rated Wattage	660W
Mechanical Specifications	
Mounting Type	Snap-In
Panel Thickness	.035 - .050
Contact Type	Stationary
Termination	Quickwire 18AWG Solid or Str Tinned

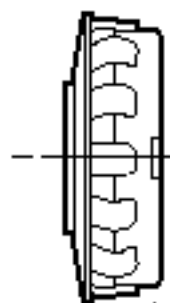
Material Specifications	
Body Material	Thermoplastic
Contact Material	Silver-Plated Copper-Alloy
Color	White
Availability	Distribution
Standards and Certifications	
UL Listed	File E5833
CSA Certified	File LR-5863

# HIGH OUTPUT 800 MA & 1500 MA



**94**  $\begin{matrix} +3/32 \\ -0 \end{matrix}$  ( **2,387.6**  $\begin{matrix} +2.4 \\ -0 \end{matrix}$  )

**FOR 96" LAMP**



**0.42 (10.7)**

**Cat. No. 524**