

METAL HALIDE AND HIGH-PRESSURE SODIUM LAMP HOLDERS

G12 Base/PG-12 Base



LAMP HOLDERS

Metal Halide Lamps with G12 Base

Cat. No. 557 porcelain lampholder is designed for single-ended metal halide lamps with a G12 base, rated up to 150 watts. Standard leads (2) are White, No. 18 AWG SEW-2 200°C 600V wire, 12" long, stripped 1/2".

Ideal for indoor accent and display lighting, including gallery, museum and showroom applications.

Cat. No. 557
660W-600V 5KV PULSE RATED

Installation notes

Leviton recommends supplementary sleeving be used on all insulated leads (Teflon, high-voltage silicon) for additional dielectric, physical and UV protection.

In all cases:

- Keep "hot" wire as short as possible (minimal slack)
- Run "hot" wire 3/8" clear of grounded metal if additional insulating sleeving is not used
- Avoid abrasion
- Screen wires from direct UV radiation
- Insulate wire nuts, etc., for pulse voltage
- Heat-cured silicon will limit outgassing

- UL Listed E-13405 • CSA Certified LR-1863



557

High-Pressure Sodium Lamps with PG-12 Base

Cat. No. 558 porcelain lampholder is designed for high-pressure sodium lamps with a PG-12 base, such as the Philips SDWT-T 35-, 50- and 100-watt White Son lamps. Standard leads, one Red (pulse) and one Blue, are No. 18 AWG SEW-2 200°C 600V wire, 12" long, stripped 1/2".

These lamps provide excellent brightness and color rendition for galleries, museums, showrooms and other accent and display light applications.

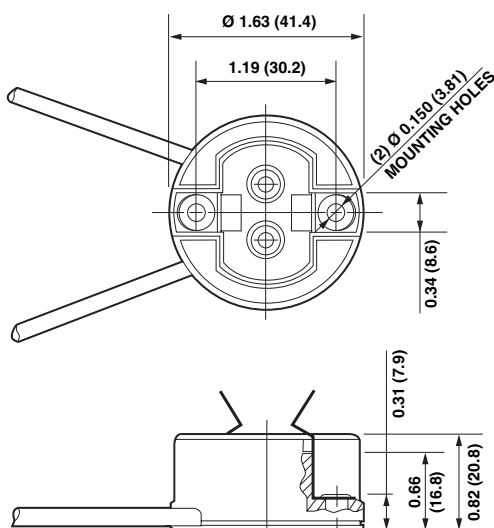
Cat. No. 558
660W-600V 5KV Pulse Rated

- UL Listed E-13405 • CSA Certified LR-1863

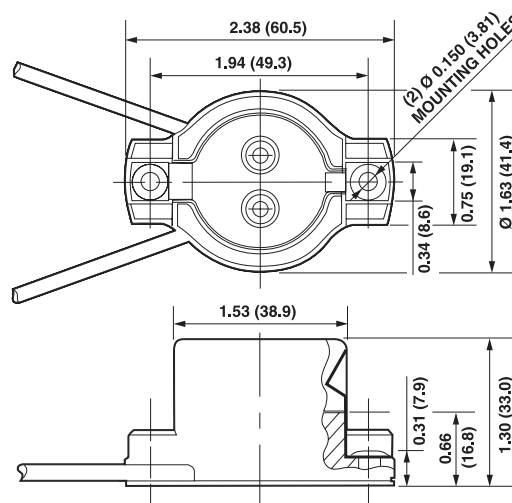


558

SECTION C



Cat. No. 557



Cat. No. 558