

MINIATURE BI-PIN QUARTZ LAMPHOLDERS

Single-Ended • GX5.3 (MR 16) Base



LAMP HOLDERS



80050

Miniature Bi-Pin Quartz Lampholders

Ceramic body with mica cover. Standard leads are No. 18 AWG SEW-1 200°C wire, 12" long, stripped 1/2". Leads with 250°C rating are available upon request.

Cat. No. 80050 Lamp-supported lampholder.

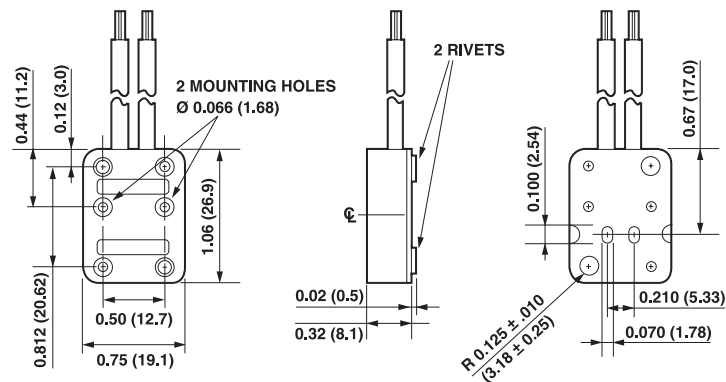
Cat. No. 80051 Same as 80050, except with mounting ears. For flush mounting. Also available with a choice of various brackets for bracket mounting.

Rating: 300V maximum voltage
10A maximum amperage
1000W maximum wattage

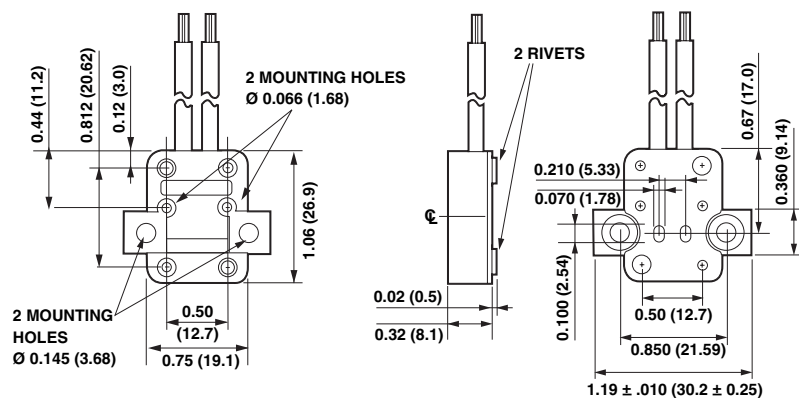
- UL Recognized Component E-13405
- CSA Certified LR-1863



80051



Cat. No. 80050



Cat. No. 80051