



8101

Two-Piece Ring Type

Unglazed porcelain base. Slot locks against rotation. Aluminum screw shell. Unglazed porcelain ring. (Glazed rings available.) Leads eyeleted to base. Leads are No. 18 AWG 105°C AWM-TEW plastic insulated wire, 9" long, stripped 3/4". Other leads available. Bases, rings and gaskets packed individually. The gasket supplied with this item is rated at 90°C dry maximum.

Standard pack: bulk

Cat. No. 8101

• 660W-250V • UL Listed E-3810 • CSA Certified LR-1863



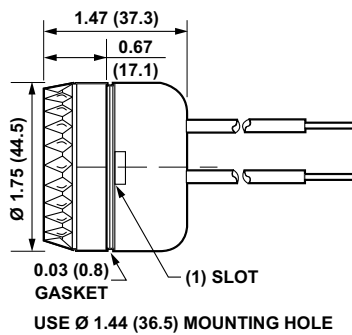
10091

Side Outlet, Bushing

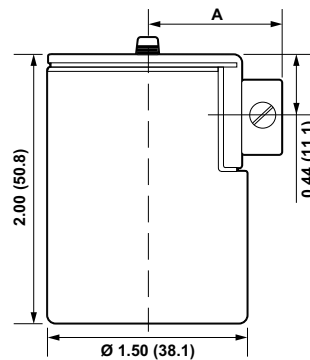
Body of one-piece white glazed porcelain. Flat steel cap with female threaded bushing set at angle and fitted with set screw. Cap keyed to porcelain body and held on with one center #8-32 screw tightened through inside of socket. Gasket between cap and porcelain insures tight-fitting assembly. The gasket supplied with this item is rated at 90°C dry maximum. Screw shell is copper alloy, nickel plated.

• 660W-250V • UL Listed E-3810 • CSA Certified LR-1863

Cat. No.	Thread Size	A Dim.
10091	1/8-27	31/32 (24.61)



Cat. No. 8101



Cat. No. 10091