



8750-1

Description

POS Mogul Base, One-Piece, Keyless, HID, Glazed Porcelain Lampholder, Super Metalarc Horz HID, Single Circuit, TWO # 8-32 mounting bushings, with two 12 inch leads 14 AWG SEW-2 glass braid, one black and one white free ends stripped 1/2 inch, Yellow.

Product Features

Color: Yellow



- Lamp Socket Base: Mogul
- Construction: One-Piece
- Lamp Type: Super Metalarc Horz HID
- Circuit: Single Circuit
- Access: Back Wired
- Wattage Rating: 1500W
- Voltage: 600 Volt
- Termination: 12-Inch 14GA SEW-2 200C Leads
- Mounting Type: 2 10-32 Lock Nuts
- Screw Shell Material: Nickel-Plated Copper Alloy
- Shell Material: Glazed Porcelain
- Contact Material: Nickel-Plated Copper-Alloy
- Color: Yellow
- Standards and Certifications: UL/CSA
- Warranty: 1 Year Limited
- Availability: Distribution

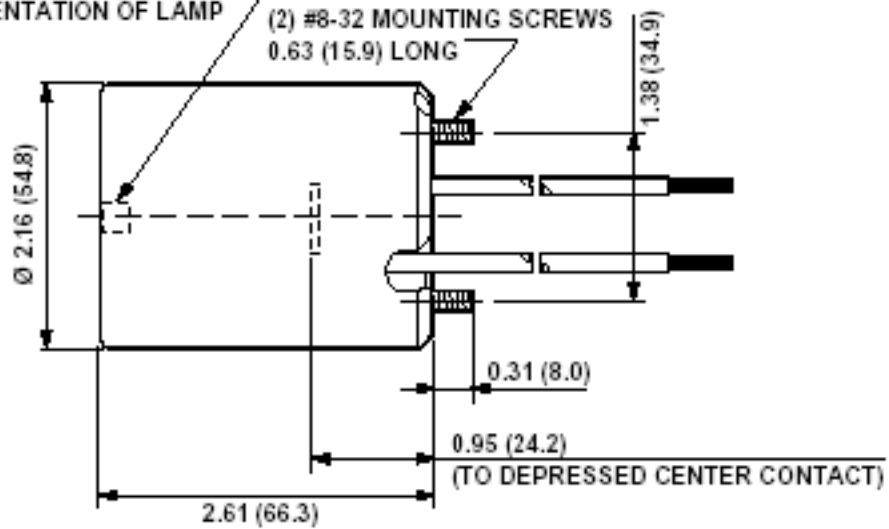
Electrical Specifications	
Wattage Rating	1500W
Voltage	600 Volt
Termination	12-Inch 14GA SEW-2 200C Leads
Circuit	Single Circuit

Mechanical Specifications	
Lamp Socket Base	Mogul
Construction	One-Piece
Lamp Type	Super Metalarc Horz HID
Access	Back Wired
Mounting Type	2 10-32 Lock Nuts

Material Specifications	
Screw Shell Material	Nickel-Plated Copper Alloy
Shell Material	Glazed Porcelain
Contact Material	Nickel-Plated Copper-Alloy
Center Coil Spring	Stainless Steel

Standards and Certifications	
UL Listed	File E13402
CSA Certified	File LR-1863

ASSEMBLE SOCKET WITH MOUNTING HOLES IN HORIZONTAL POSITION WITH NOTCH AT BOTTOM FOR CORRECT ORIENTATION OF LAMP



SPECIFICATION SUBMITTAL

JOB NAME: <input type="text"/>	CATALOG NUMBERS: <input type="text"/>	
JOB NUMBER: <input type="text"/>	<input type="text"/>	<input type="text"/>

Leviton Manufacturing Co., Inc.

59-25 Little Neck Parkway, Little Neck, NY 11362-2591
 Telephone: 1-800-323-8920 · FAX: 1-800-832-9538 · Tech Line (8:30AM-7:30PM E.S.T. Monday-Friday): 1-800-824-3005

Leviton Manufacturing of Canada, Ltd.

165 Hymus Boulevard, Pointe Claire, Quebec H9R 1E9 · Telephone: 1-800-469-7890 · FAX: 1-800-824-3005

Leviton S. de R.L. de C.V.

Lago Tana 43, Mexico DF, Mexico CP 11290 · Tel.: (+52)55-5082-1040 · FAX: (+52)5386-1797 · www.leviton.com.mx



Visit our Website at: www.leviton.com

©2007 Leviton Manufacturing Co., Inc. All rights reserved. Subject to change without notice.