

## PRODUCT SPECIFICATIONS / INFO



# 8885

**UPC Code:** 07847719944

**Country of Origin:** China

### Description

Incandescent lampholder, porcelain, medium base, 660W-600V, snap-in, white.

### Product Features

Lamp Socket Base: Medium

Construction: One-Piece

Mounting Type: Front Mount

Circuit: Single Circuit

Access: Back Wired

Termination: 2-Terminal Screws

Feature: Hi-Hat Type

Mounting Type: Mounting Clip

Screw Shell Material: Nickel-Plated Copper Alloy

Body Material: Unglazed Porcelain

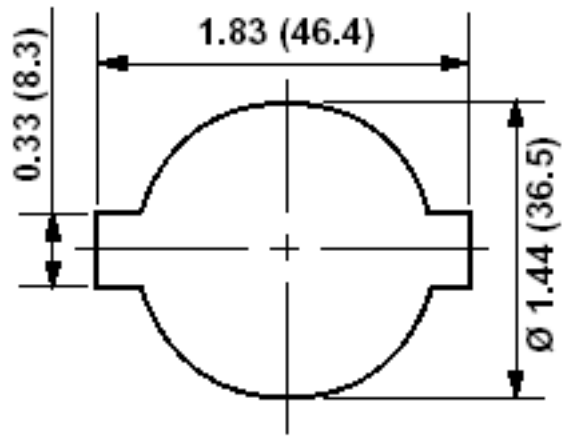
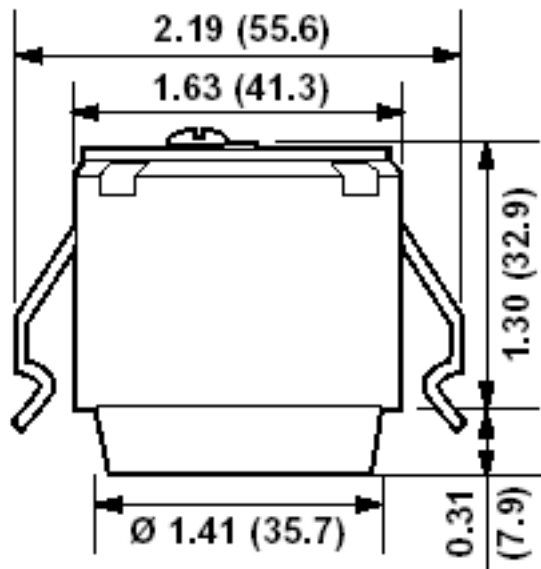
Standards and Certifications: UL/CSA

Warranty: 1 Year Limited

Availability: Distribution

Electrical Specifications	
Circuit	Single Circuit
Wattage Rating	660W
Voltage	250 Volt
Mechanical Specifications	
Access	Back Wired

Material Specifications	
Color	White
Clip Material	Rust-Proofed Spring-Tempered Steel
Availability	Distribution
Standards and Certifications	
UL Listed	File E3810
CSA Certified	File LR-1863



PANEL THICKNESS  
0.035-0.045 (0.89-1.14)