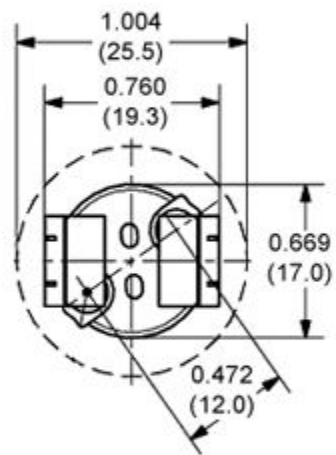
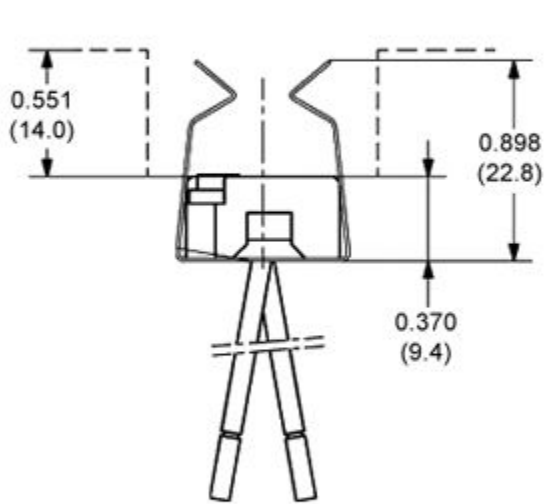


LH0552



Specification

Status	Available
Case Qty	500 (sold individually)
Country of Origin	Germany
Certifications / Approvals	cULus
UL File No.	E93328
Rated Voltage	50v
Base Type	GU5.3
Material	Ceramic
Termination	250C 300v 7 wire leads
Wire Length	7
Mounting Type	Screw Mount
Dimensions(L/W/H)	_x_x0.898
Weight	0.03

General

Brand	BJB Electric LP
Item #	70608
Category	Miniature Pin