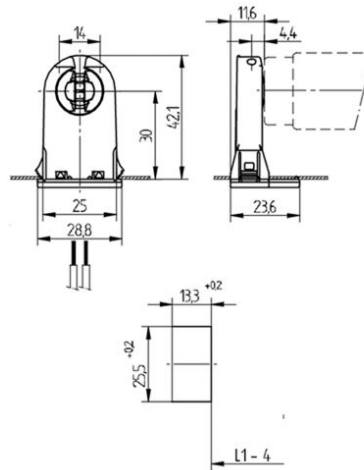


LH0755



Unshunted, rotary locking, T8-T12 lamp holder with push fit mounting, 30mm lamp axis

[Link to T8,T10,T12,lamps that fit this socket](#)

- Unshunted
- without stop / post
- 30mm lamp axis
- Rotary
- For LED or Fluorescent
- Fits 1.00 x 0.52 cutout