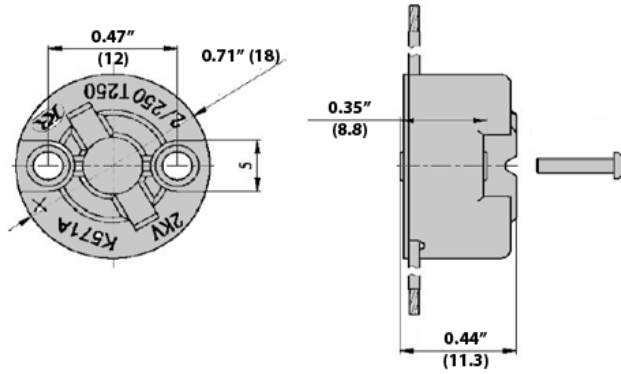


LH0880



PGJ5, 2kv pulse rated ceramic socket with two hole mounting and 18 inch leads