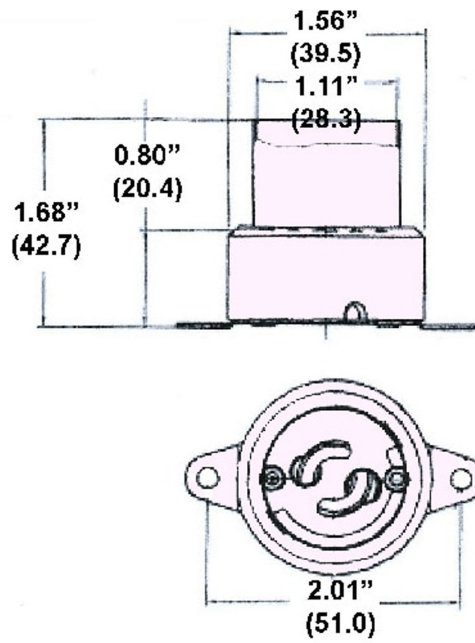


LH0881



PGZ12, 5kv pulse rated twist lock socket with two hole mounting and leads

Fits Philips CPO-TW ceramic metal halide