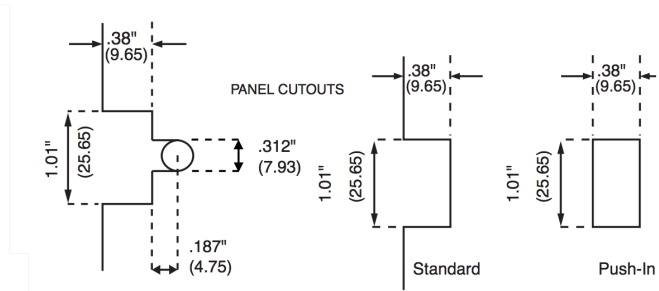
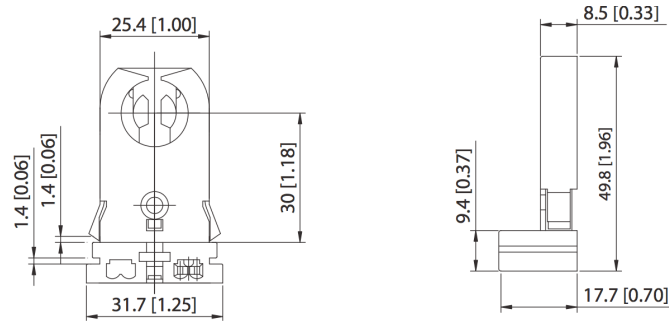


LH1072



WATTAGE: 660W
VOLTAGE: 600V
BULB TYPE: T8,T10,T12 U-BEND
BASE TYPE: G13
MOUNTING: PUSH FIT
SHUNT TYPE: SHUNTED