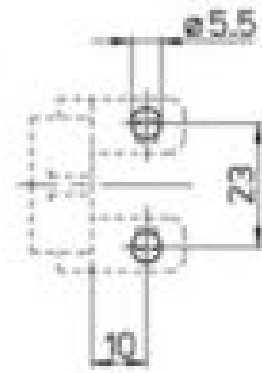
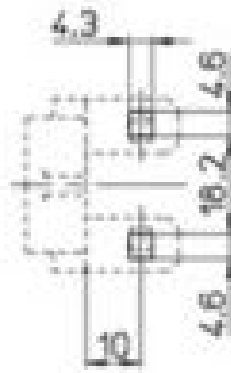
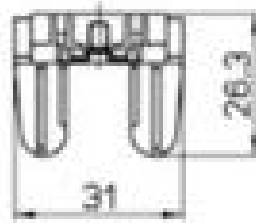
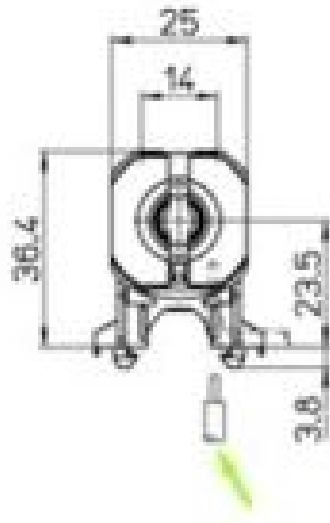


# LH1156



- Shunted
- G13 medium bipin
- For T8/T12 lamps
- Polycarbonate body
- PBT GF rotor
- 18 AWG push in terminals
- 660W-600V
- cULus