

# LEDVANCE T5HO Programmed Rapid Start

Normal Ballast Factor

120-277 Volt High Efficiency

### Lamp/Ballast Guide

T5HO Ballast 120-277V PSN HT  
4- lamp

Primary lamps: 54W T5HO

Also operates:

FP54/SS, FT50DL, FT55DL, FPC55  
2, 3, or 4 lamps on a 4L ballast

Scan or click QR code to access  
TLED Ballast Compatibility Listing



### Application Information

This LEDVANCE High Efficiency ballast is ideally suited for:

- Commercial and Industrial
- Retail and Office
- Hospitality and Institutional
- Maintenance Replacement



SHOWN PACKAGED

### Ordering Information

Item Number	Description	# of Lamps	Primary Lamp (W)	Lamp family	Line Voltage	Starting Method	Ballast Factor	Case Ambient Temp.	Case Size	Packaging
75872	LHE4X54T5HOUNVPSNHTSCLDOE	4	54	T5 HO	UNV	PS	N	High	SCL	4/CS 1/SKU

### Electrical Specifications at 120-277V

Item Number	Description	Input Current (AMPS)	Lamp Type	Rated Lumens (lm)	No. of Lamps	Ballast Factor (BF)	System Lumens (lm)	Mean Lumens (lm)	Input Power (W)	System Efficacy (lm/W)	BEF*
75872	LHE4X54T5HOUNVPSNHTSCLDOE	1.8 / 0.79	FP54T5HO	5000	4	1	20400	18972	224/217	99/98	0.47/0.48
		1.4 / 0.61	FP54T5HO	5000	3	1	15150	14090	169/165	99 / 97	0.62/0.63
		1.00 / 0.52	FP54T5HO	5000	2	1	10200	9486	120 / 117	99 / 97	0.83/0.85

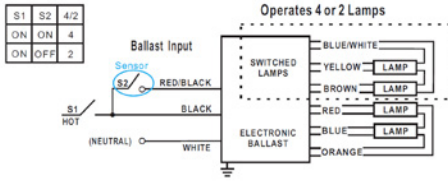
\*Ballast Efficiency Factor (BEF) shown = (Ballast Factor x 100) divided by Input Power  
277V 60Hz data



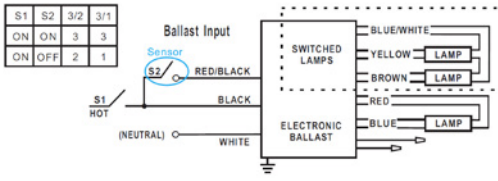
## Wiring Diagram

CAP ALL UNUSED LEADS

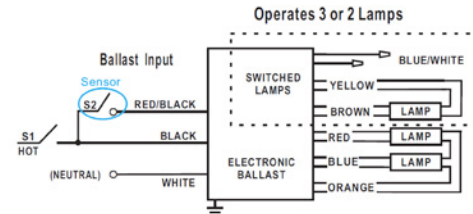
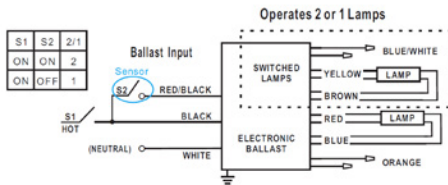
### 4 Lamp Switching (4L to 2L)



### 3 Lamp Switching (3L to 2L, 3L to 1L)



### 2 Lamp Switching (2L to 1L)



NOTE: S2 IS THE OCCUPANCY SENSOR OR WALL SWITCH IF ONE IS BEING USED FOR STEP DIMMING. REFER TO INSTALLATION NOTES BELOW.

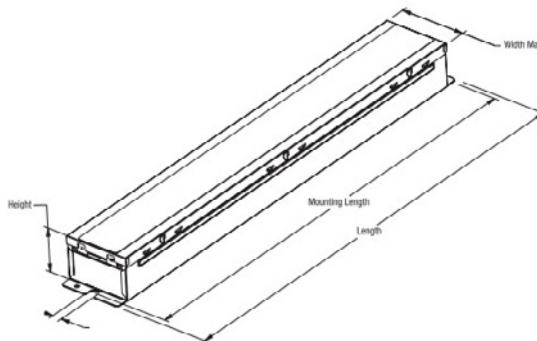
### Dimensions:

Overall: 16.75"L x 1.8"W x 1.2"H  
(425.45mm L x 45.72mm W x 30.48mm H)  
Mounting: 16.3" (414.02mm)  
Weight: 3.0 lbs. each (approx.)

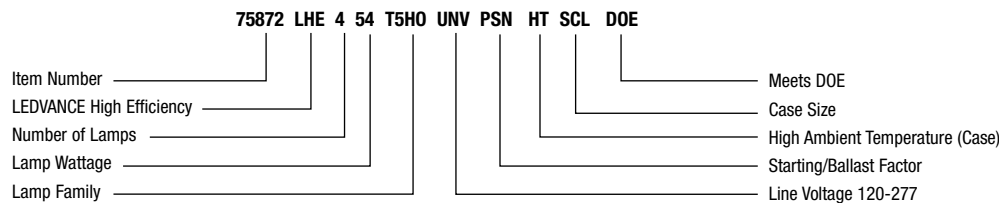
### Packaging:

Quantity: 4 per case/1 per SKU  
Type: Retail Friendly, Shrink-wrapped case, shrink-wrapped SKU with installation guide.  
Weight: 12.43 per case (approx)  
Note: Full Case Required at purchase and/or return.

Note: Leads only. (No connectors provided).



## Ordering Guide



Products distributed by LEDVANCE LLC

LEDVANCE LLC  
181 Ballardvale Street, Suite 203  
Wilmington, MA 01887 USA  
Phone 1-800-LIGHTBULB (1-800-544-4828)  
www.ledvanceUS.com

LEDVANCE is a registered trademark. All other trademarks are those of their respective owners. Specifications subject to change without notice.



SCAN TO FOLLOW US  
ON SOCIAL MEDIA

© 2023 LEDVANCE LLC

2 of 2

## Specification Data

Type

Catalog #

Project

Comments

Prepared by

## Performance Guide

Data based on fluorescent lamps listed. LHE Programmed Rapid Start ballast is also compatible with other lamp manufacturers equivalent lamp types that meet ANSI specifications.

## Specifications

Starting Method: Programmed Rapid Start

Ballast Factor: 1.0

Circuit Type: Series

Lamp Frequency: >42 kHz

Input Frequency: 50/60 Hz

Low THD: <10%

Power Factor: >98% @120V 4, 3 and 2L

@277V >97% 4L, >92% 3L, >92% 2L

Lamp CCF: <1.7

Voltage Range: ±10% rated input (108-305V) AC

## Operating Temperatures

Starting Temperature: -20°F (-29°C)

Case Temp:

194F (90C) Max (3yr Warranty)

158F (70C) Max (5yr Warranty)

Max Ambient Temp.: 131°F (55°C)

## Product Ratings

DOE Compliant  
UL Listed Class P, Type 1, Outdoor,  
FCC Part 18 Non-Consumer  
Class A Sound Rating  
ANSI C62.41 Cat. A Transient Protection  
RoHS Compliant<sup>1</sup>

No PCBs.

Type CC, Type HL

<sup>1</sup> Complies with European Union Restriction of Hazardous Substances (Directive 2002/95/EC)

## Installation Notes

- Ground ballast case
- Install in accordance with National Electrical Codes
- Insulate unused leads for 600V
- Remote Mounting- 18ft. max Lead Length 18AWG
- Input wiring for non-switching operation  
Connect Red/Black wire to Black wire for ALL Lamps ON (no S2)
- Input wiring for Occupancy Sensors  
Install occupancy sensor between Red/Black wire. S2 is the occupancy sensor

## Warranty

LEDVANCE ballasts carry a five-year warranty from date of manufacture. For additional details, check out the latest Warranty Bulletin on our website [ledanceUS.com](http://ledanceUS.com)



SCAN OR CLICK OR  
CODE TO ACCESS  
WARRANTY.

