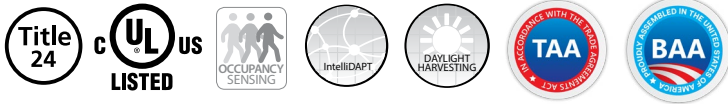


# LIGHTHAWK® DUAL TECHNOLOGY WALL SWITCH SENSOR

WALL SWITCH OCCUPANCY SENSORS

## FEATURES

- Digital dual technology: Ultrasonic and Passive Infrared
- IntelliDAPT® self-adaptive technology; no manual adjustment required
- Single and dual relay models for on/off switching
- Occupancy (auto-ON) and Vacancy (manual-ON) operating modes
- 1,000 square-foot, 180° coverage area
- RhinoTuff™ lens
- 120/277VAC, 347VAC and 24VDC models
- Zero Arc Point Switching



## SPECIFICATIONS

### CONSTRUCTION

- Casing - high - impact injection - molded plastic (UL-94-5V Impact-resistance lens)
- Color-coded leads are 6" (152.4mm) long
- Wrap around galvanized steel mounting strap
- 2.9 oz. (82.21g)
- White; Ivory; Light Almond; Gray; Black
- Dual-element pyrometer and 12-element cylindrical RhinoTuff lens

### MOUNTING

- Single-gang NEMA-style switch box (standard switch box)
- Decorator-style wall plate sold separately

### ELECTRICAL

- 40kHz output
- Natural light override range: 10-500 foot-candles
- 120/277VAC; 50/60Hz
- 347VAC; 50/60Hz
- 24VDC (requires power pack - sold separately)
- 120VAC: 800W Incandescent/ Electronic Ballast/ LED Driver, 1,000W Magnetic Ballast, 1/8 HP Motor
- 277VAC: 1,800W Magnetic Ballast/ Electronic Ballast/ LED Driver: 1/8 HP Motor

### ELECTRICAL (CONTINUED)

- 347VAC: 1,500W Magnetic Ballast/ Electronic Ballast/ LED Driver: 1/8 HP Motor

### OPERATIONS

- IntelliDAPT
  - Self-adjusting timer
  - Self-adjusting Ultrasonic (US) and passive infrared (PIR) sensitivity
  - Automatic false-on/ false-off corrections
  - No manual adjustments required
- Coverage
  - 1,000 square-foot, 180° coverage area
- Timer Setting
  - Auto mode: 4-30 minutes; self-adjusts based on occupancy
  - Fixed mode: 4, 8, 15, and 30 minutes
  - Test mode: 5 seconds

### OPERATING ENVIRONMENT

- Indoor use only
- Operating temperature: 32° to 104°F (0° to 40°C)
- Relative humidity (non-condensing): 0% to 95%

### CERTIFICATIONS

- UL and cUL listed
- This product meets federal procurement law requirements under the Buy American Act (FAR 52.225-9) and Trade Agreements Act (FAR 52.225-11). See [Buy America\(n\) Solutions](#).

### WARRANTY

- 5 year warranty

# LIGHTHAWK® DUAL TECHNOLOGY WALL SWITCH SENSOR

WALL SWITCH OCCUPANCY SENSORS

## ORDERING GUIDE

**Example:** LHRMTS1-G-WH-U

CATALOG # \_\_\_\_\_

Series		Buttons	Wiring		Color		Mode*		BAA/TAA**	
<b>LHRMTS</b>	Light-HAWK Dual Technology Single Relay	0 0	<b>G</b>	Ground (120/277V)	<b>WH</b>	White <sup>1</sup>	<b>Blank</b>	Switchable Vacancy or Occupancy Mode	<b>Blank</b>	Standard Product
		1 1								
			<b>24V</b>	Low Voltage <sup>3</sup>	<b>LA</b>	Light Almond <sup>2</sup>				
			<b>G347</b>	Ground (347V) <sup>4</sup>	<b>GY</b>	Gray <sup>2</sup>				
			<b>N347</b>	Neutral (347V) <sup>4</sup>	<b>BK</b>	Black <sup>2</sup>				

**Example:** LHRDCMTD2-G-WH

CATALOG # \_\_\_\_\_

Series		Buttons	Wiring		Color		Mode*		BAA/TAA**	
<b>LHRDCMTD</b>	Light-HAWK Dual Technology Dual Relay	0 0	<b>G</b>	Ground (120/277V)	<b>WH</b>	White <sup>1</sup>	<b>Blank</b>	Switchable Vacancy or Occupancy Mode	<b>Blank</b>	Standard Product
		2 2								
			<b>G347</b>	Ground (347V) <sup>4</sup>	<b>LA</b>	Light Almond <sup>2</sup>				
					<b>GY</b>	Gray <sup>2</sup>				
					<b>BK</b>	Black <sup>2</sup>				

**Example:** LHRMTD2-24V-WH-T

CATALOG # \_\_\_\_\_

Series		Buttons	Wiring		Color		Mode*		BAA/TAA**	
<b>LHRMTD</b>	Light-HAWK Dual Technology with (2) Low Voltage Outputs (24V Only)	0 0	<b>24V</b>	Low Voltage <sup>3</sup>	<b>WH</b>	White <sup>1</sup>	<b>Blank</b>	Switchable Vacancy or Occupancy Mode	<b>Blank</b>	Standard Product
		2 2								

**Notes:**

- 1 All options available in white (WH)
  - 2 Please consult factory for color options other than white
  - 3 Low voltage sensors require a power pack that is sold separately
  - 4 347V options only available in white (WH)
  - 5 Base model number is different
- \* Please see vacancy mode only options table below  
 \*\* Please see Buy American Solutions table below

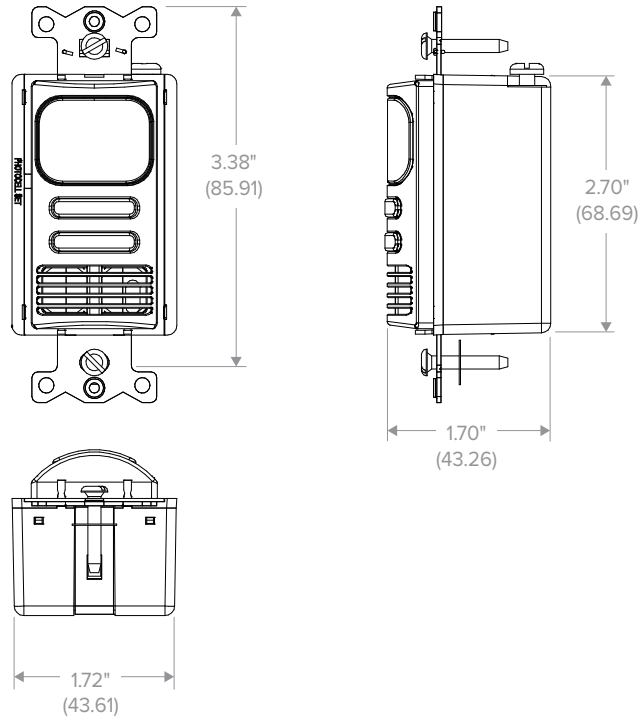
*Vacancy Mode Only Options
LHRMTS1-G-WH-M
LHRMTS1-G-IV-M
LHRMTS1-G-GY-M
LHRMTS1-N-WH-M
LHRMTS1-24V-WH-M
LHRDCMTD2-G-WH-M

**Buy American Solutions	
BAA	TAA
LHRMTS1-G-WH-U	LHMTS1-G-WH-T <sup>5</sup>
	LHMTS1-24V-WH-T <sup>5</sup>
	LHMTS1-N-WH-T <sup>5</sup>
	LHDCMTD2-G-WH-T <sup>5</sup>
	LHMTD2-24V-WH-T <sup>5</sup>

# LIGHTHAWK® DUAL TECHNOLOGY WALL SWITCH SENSOR

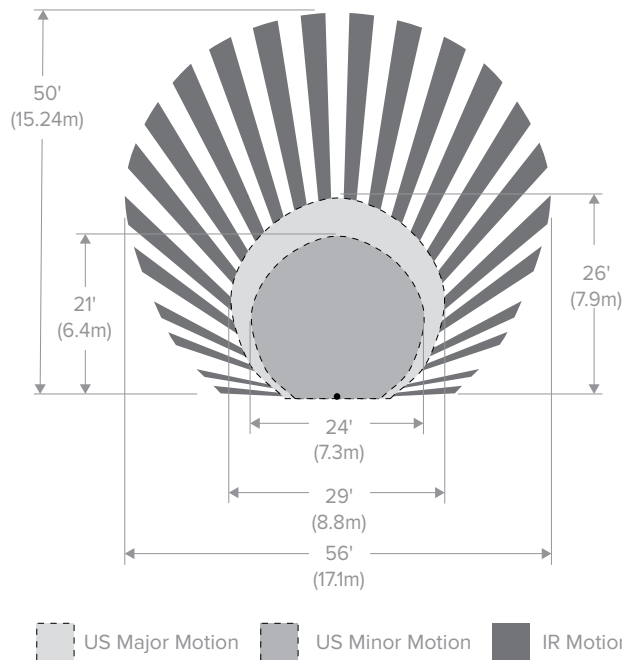
WALL SWITCH OCCUPANCY SENSORS

## DIMENSIONS



## ADDITIONAL INFORMATION (CONTINUED)

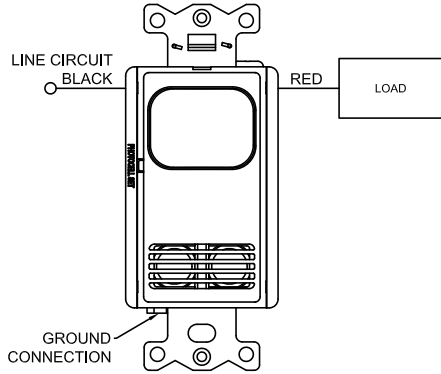
### Coverage Pattern



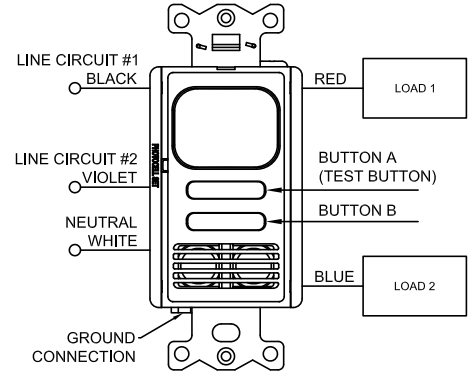
# LIGHTHAWK® DUAL TECHNOLOGY WALL SWITCH SENSOR

WALL SWITCH OCCUPANCY SENSORS

## Wiring Diagrams



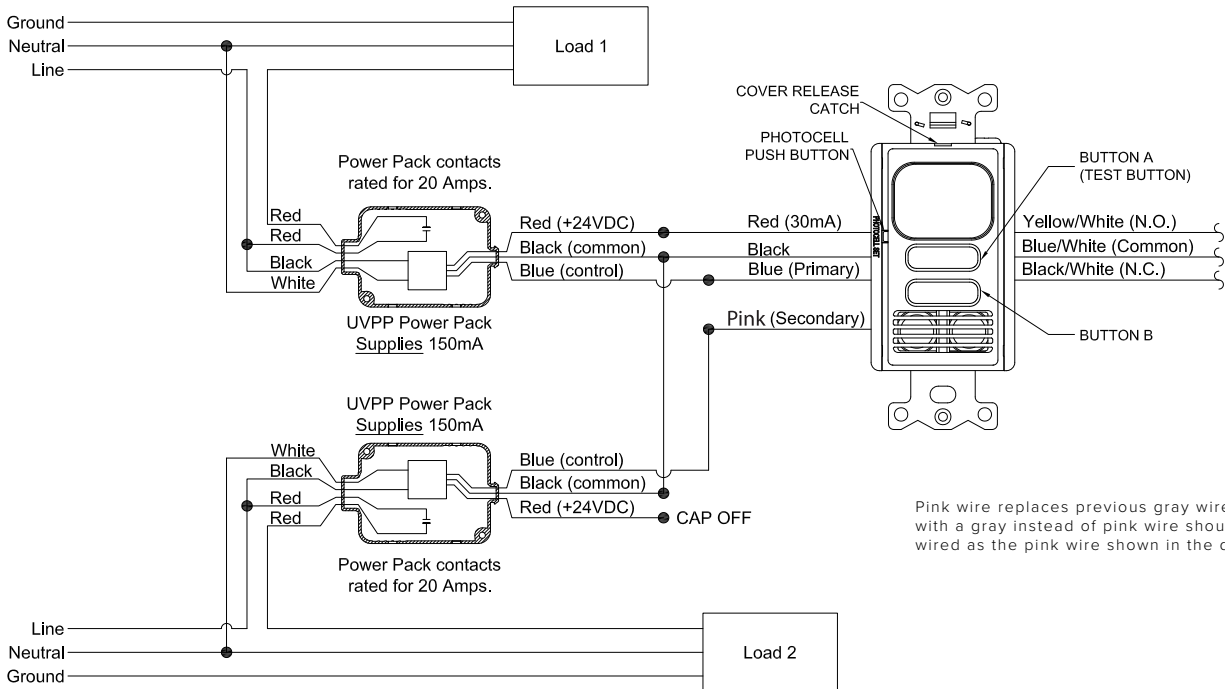
**SINGLE LOAD WIRING**



**DUAL LOAD WIRING**

## ADDITIONAL INFORMATION (CONTINUED)

### Wiring Diagrams



Pink wire replaces previous gray wire. Units with a gray instead of pink wire should be wired as the pink wire shown in the diagram.

**Low Voltage Dual Level Control with Two Power Packs**