

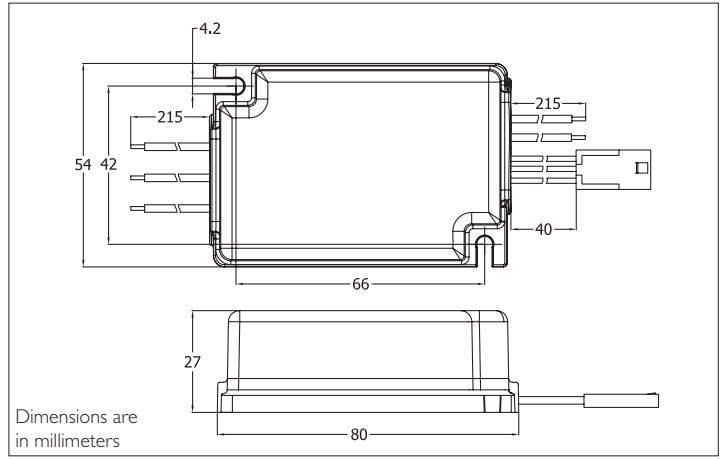


# Quick Installation Guide

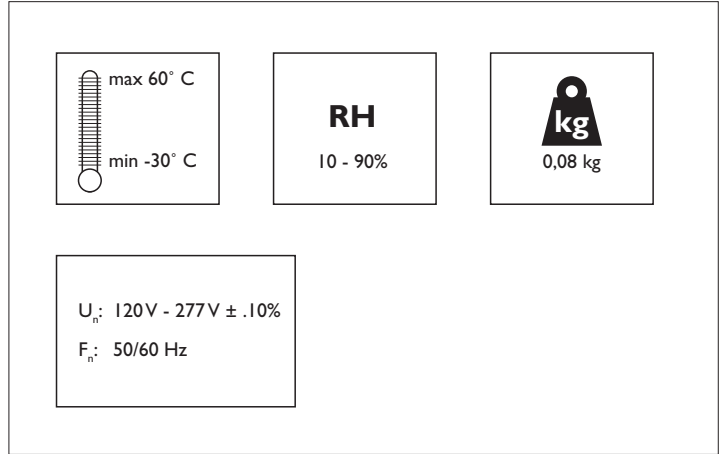
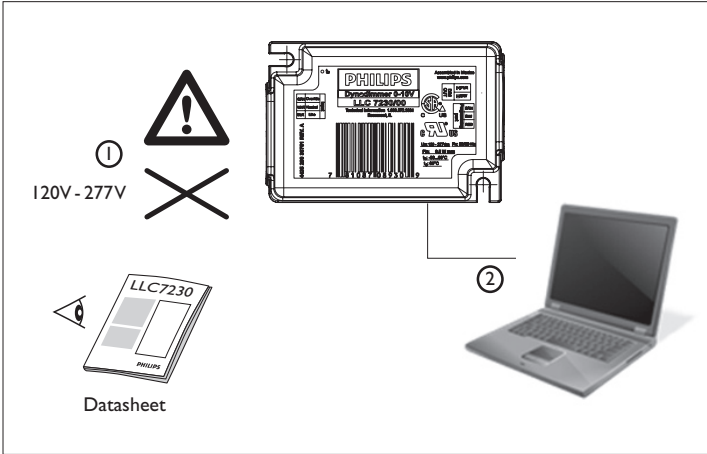
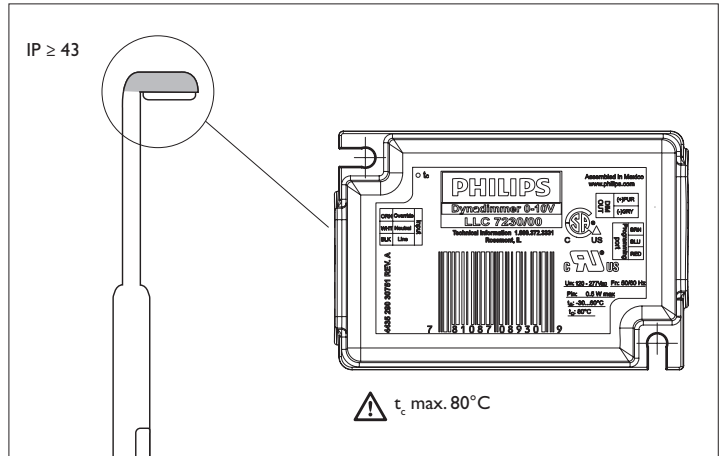
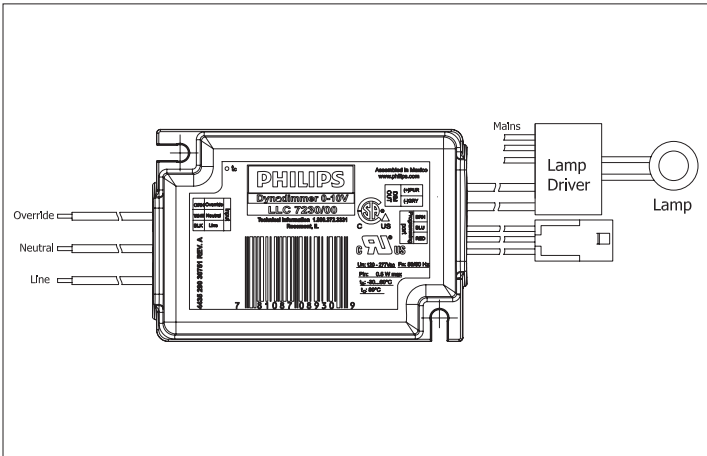
## North American Version


Dynadimmer Control System LLC7230

**PHILIPS**



Dimensions are in millimeters



 **Safety and High Voltage Warning**  
 Ensure that the AC power mains are turned OFF before handling the mains wiring, or connecting any power mains cabling to the Dynadimmer device.



©2010 Philips Lighting Electronics N.A.  
 All rights reserved.

Form No. PA-7330-A

Philips Lighting Electronics N.A.  
 10275 West Higgins Road  
 Rosemont IL 60018  
 Tel: 800-322-2086 Fax: 888-423-1882  
 Customer Support/Technical Service: 800-372-3331  
 OEM Support: 866-915-5886  
<http://www.philips.com/dynadimmerus>