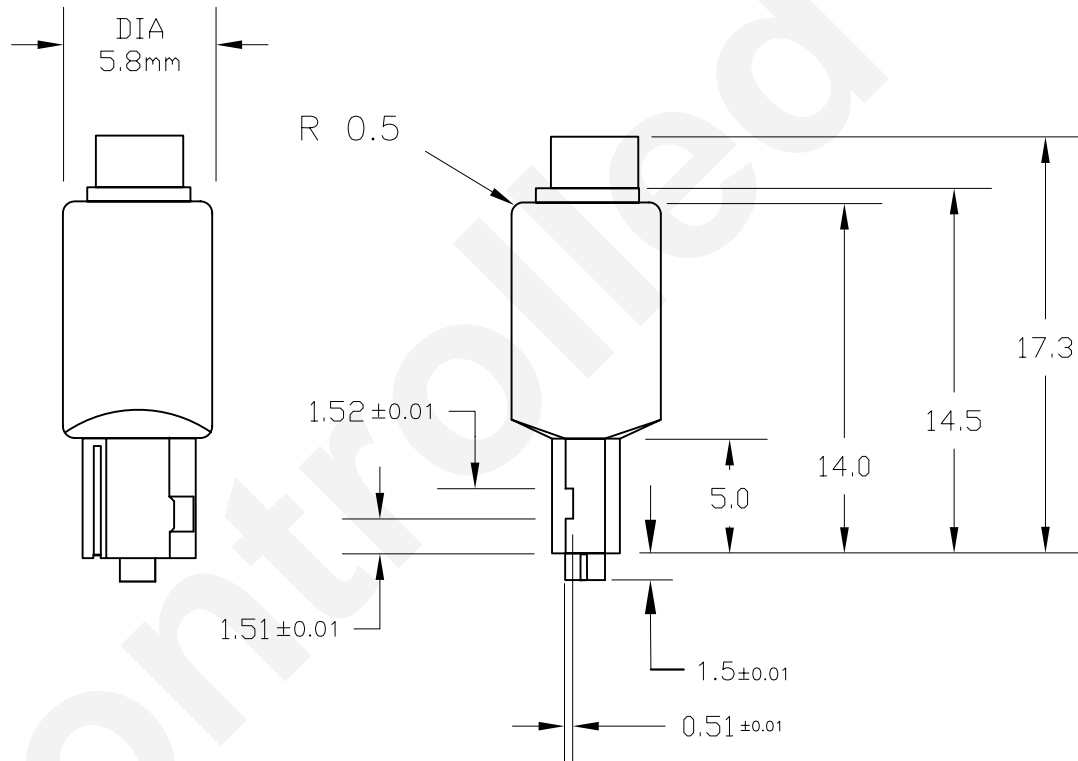
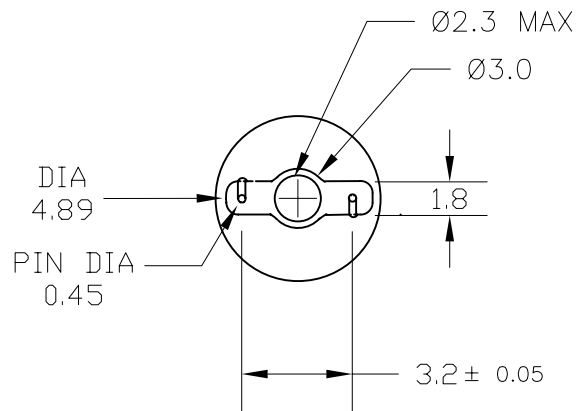


PART NO.	BASE TYPE	DESIGN VOLTS	DESIGN AMPS	AVERAGE LIFE HOURS
LM0506WB	T1 3/4 WEDGE	* 6.3 V	20mA	100,000

* BI-POLAR
OPERATIONAL VOLTAGE
5.67 - 6.93 VDC

REVISIONS			
REV	DESCRIPTION	DATE	APPROVED
1	CORRECTED CATALOG NUMBERS AND BASE CONFIGURATION	12/06/2004	D.C.
2	BI-POLAR, OPERATIONAL VOLTAGE	06/19/2008	D.C.



ALL DIMENSIONS ARE IN MILLIMETERS, UNLESS OTHERWISE STATED, TOLERANCE IS ± 0.5mm

COLOR	PART NUMBER	LUMEN
RED	LM0506WB-R	1.50
AMBER	LM0506WB-A	1.00
WHITE	LM0506WB-W	0.55
BLUE	LM0506WB-B	0.50
GREEN	LM0506WB-G	2.00
WARM WHITE	LM0506WB-WW	0.45

UNLESS OTHERWISE SPECIFIED:
DIMENSIONS ARE IN INCHES
TOLERANCES

DECIMALS	ANGULAR
.XX ± .05	± 0.5°
.XXX ± .010	
FRACTIONAL	± 1/64

DRAWN Anna Soloveychik	DATE 02/17/2004
CHECKED	
DESIGN	
MATERIAL	

CEC INDUSTRIES LTD

599 BOND STREET LINCOLNSHIRE IL 60069

TITLE
TRUE 360° LED MINIATURE WEDGE BASE LAMP
6.3 VOLT DC

SIZE A	FSCM NO.	DWG NO. LM0506WB	REV 2
SCALE	PLOT SCALE	SHEET 1 OF 1	
FILE LM0506WB.dwg		DO NOT SCALE DRAWING	