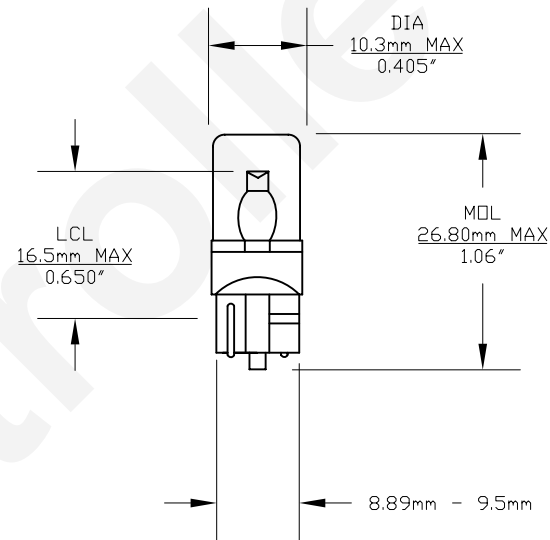
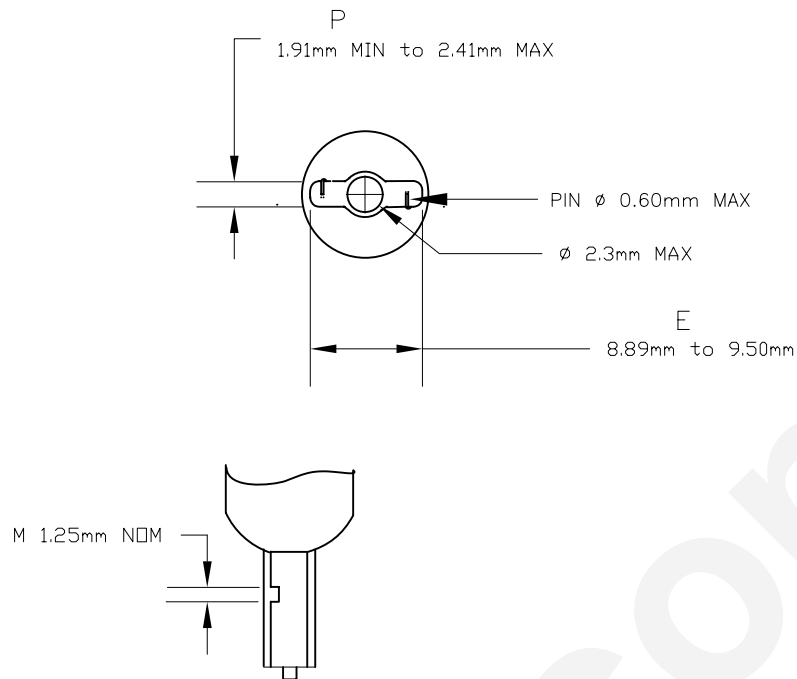


PART NO.	BASE TYPE	DESIGN VOLTS	DESIGN AMPS	AVERAGE LIFE HOURS
LM1006WB	T3 1/4 WEDGE	*6.3 VDC	75mA	100,000

* BI-POLAR
OPERATIONAL VOLTAGE
5.67 - 6.93 VDC

REVISIONS			
REV	DESCRIPTION	DATE	APPROVED
1	ISSUED	12/31/2003	A.S.
2	ADDITION OF WARM WHITE, BASE CONFIGURATION	12/06/2004	D.C.
3	BI-POLAR, OPERATIONAL VOLTAGE	06/20/2008	D.C.



ALL DIMENSIONS ARE IN MILLIMETERS, UNLESS OTHERWISE STATED, TOLERANCE IS $\pm 0.5\text{mm}$

COLOR	PART NUMBER	LUMEN
RED	LM1006WB-R	3.15
AMBER	LM1006WB-A	1.54
WHITE	LM1006WB-W	2.80
BLUE	LM1006WB-B	0.80
GREEN	LM1006WB-G	3.50
WARM WHITE	LM1006WB-WW	2.50

UNLESS OTHERWISE SPECIFIED: DIMENSIONS ARE IN INCHES TOLERANCES		CEC INDUSTRIES LTD			
DECIMALS .XX $\pm .05$		599 BOND STREET		LINCOLNSHIRE IL 60069	
ANGULAR $\pm 0.5^\circ$		TITLE			
FRACTIONAL $\pm 1/64$		TRUE 360° LED MINIATURE WEDGE BASE LAMP 6.3 VOLT DC			
DRAWN Anna Soloveychik	DATE 12/31/2003	SIZE A	FSCM NO.	DWG NO. LM1006WB	REV 3
CHECKED		SCALE	PLOT SCALE	SHEET 1 OF 1	
DESIGN		FILE LM1006WB.dwg	DO NOT SCALE DRAWING		