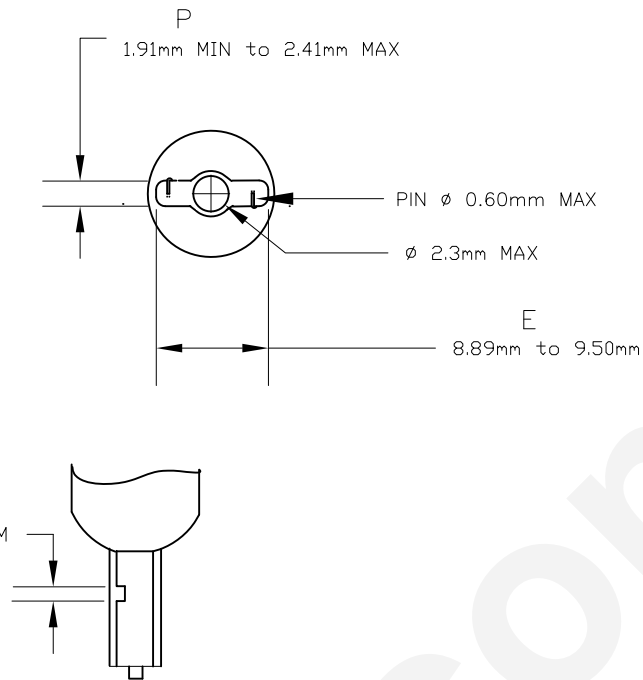
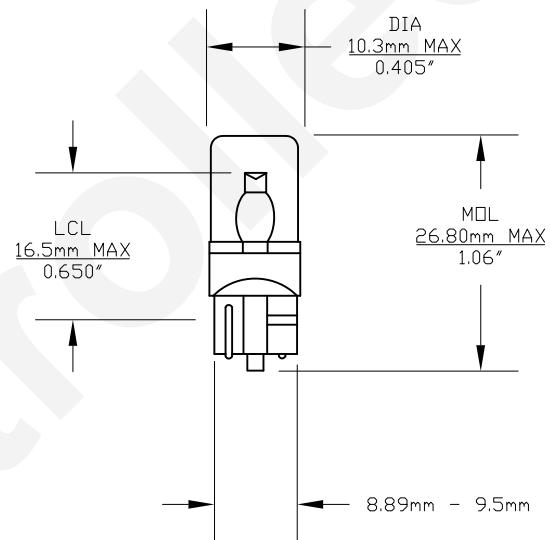


PART NO.	BASE TYPE	DESIGN VOLTS	DESIGN AMPS	AVERAGE LIFE HOURS
LM1012WB	T3 1/4 WEDGE	* 12 VOLT DC	20 - 50mA	100,000

* BI-POLAR
OPERATIONAL VOLTAGE
10.8 - 13.2 VDC



REVISIONS			
REV	DESCRIPTION	DATE	APPROVED
1	ISSUED	12/31/2003	A.S.
2	ADDITION OF WARM WHITE, BASE CONFIGURATION	12/06/2004	D.C.
3	BI-POLAR, OPERATIONAL VOLTAGE	06/23/2008	D.C.



ALL DIMENSIONS ARE IN MILLIMETERS, UNLESS OTHERWISE STATED, TOLERANCE IS $\pm 0.5\text{mm}$

COLOR	PART NUMBER	LUMEN
RED	LM1012WB-R	3.15
AMBER	LM1012WB-A	1.54
WHITE	LM1012WB-W	2.80
BLUE	LM1012WB-B	0.80
GREEN	LM1012WB-G	3.50
WARM WHITE	LM1012WB-WW	2.20

UNLESS OTHERWISE SPECIFIED: DIMENSIONS ARE IN INCHES TOLERANCES		CEC INDUSTRIES LTD 599 BOND STREET LINCOLNSHIRE IL 60069			
DECIMALS .XX $\pm .05$.XXX $\pm .010$ FRACTIONAL	ANGULAR $\pm 0.5^\circ$ $\pm 1/64$				
DRAWN Anna Soloveychik	DATE 12/31/2003	TITLE TRUE 360° LED MINIATURE WEDGE BASE LAMP 12 VOLT DC			
CHECKED		SIZE A	FSCM NO.	DWG NO. LM1012WB	
DESIGN		SCALE		REV 3	
MATERIAL		PLOT SCALE		SHEET 1 OF 1	
		FILE LM1012WB.DWG	DO NOT SCALE DRAWING		